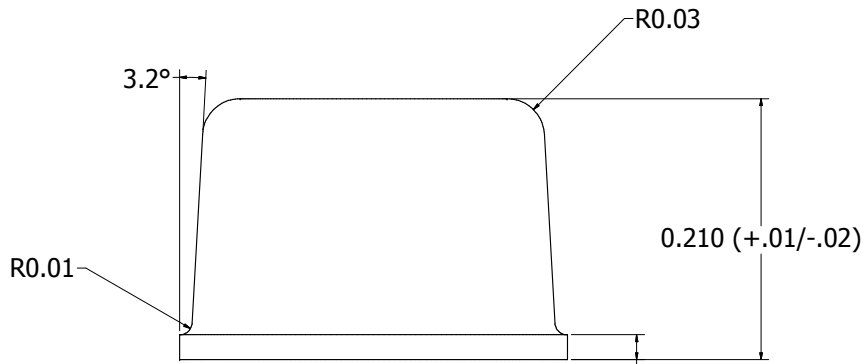
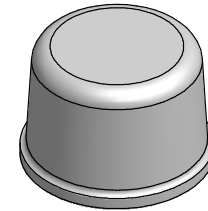


Ø0.312 (+/- .010)
DIE CUT



0.020 - THIS DIMENSION INCLUDES
SCREED AND ADHESIVE.
IT DOES NOT INCLUDE LINER

8 X 18 LAYOUT
.428 X .428 OFFSET

ACCESS LEVEL	451	218					DESIGN REFERENCE	NEXT ASSEMBLY
REV	A	PROJECT ID	3/1/2006	DATE			DESCRIPTION	KEM
DRWN	80Ppczz	DATE	3/1/2006	DATE			APPROV	DATE
CHKD		DATE		DATE				
IATD		SCALE		TOLERANCES EXCEPT AS NOTED		3M COMPANY ST. PAUL, MN 55144 3M COPYRIGHT ©2005 This document is the property of 3M Company. All rights reserved.		
DO NOT SCALE DRAWING	NONE	INCHES	0 ±	0.005 ±	0.000 ±	TITLE SJ61A11 CUSTOM MAKER		
THIRD ANGLE PROJECTION		MILLIMETERS		0 ±	0.005 ±	FAIRMONT BLDG. NO. 0001		
INTERPRET PER ASME Y14.5 - 2004		ANGLES		0 ±	0.005 ±	DRAWING NUMBER 12-2907-5750-4		
MAX SURFACE ROUGHNESS		ALL SURFACES		MARKED ONLY		SHEET 1 OF 1		

USA