

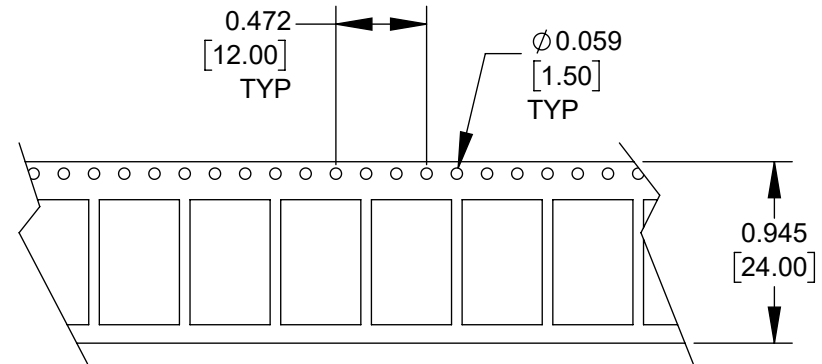
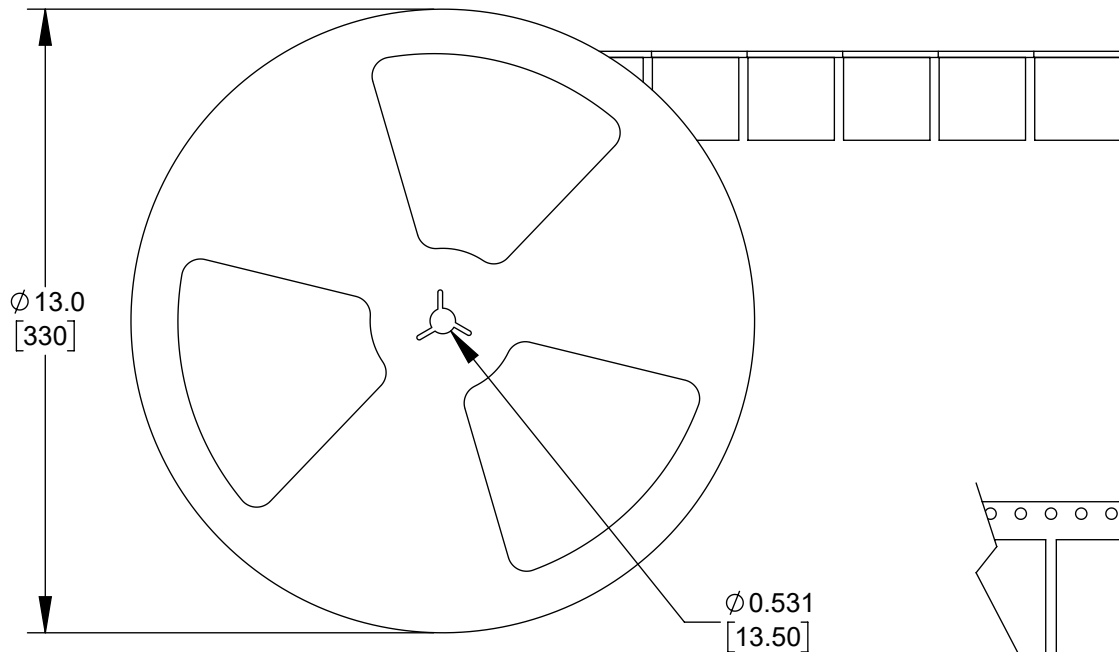
RECOMMENDED PCB LAYOUT (COMPONENT SIDE)
SCALE 12 : 1

CUSTOMER DRAWING

NOTES:

- MATERIALS:
HOUSING - THERMOPLASTIC, BLACK
TERMINALS - COPPER ALLOY, GOLD PLATED
SHELL - STAINLESS STEEL, NICKEL PLATED
HOOK - STAINLESS STEEL, NICKEL PLATED
- ELECTRICAL CHARACTERISTICS:
CONTACT RESISTANCE - 30m Ω MAX
INSULATION RESISTANCE - 100M Ω MIN
CURRENT RATING - 0.5A
WITHSTANDING VOLTAGE- 250V AC
- OPERATING TEMPERATURE - -30°C TO +80°C
- THIS PART IS RoHS COMPLIANT.

UNLESS OTHERWISE SPECIFIED					THIS DRAWING DESCRIBES A DESIGN CONSIDERED PROPRIETARY IN NATURE, DEVELOPED AND MANUFACTURED BY SWITCHCRAFT INC. AND IS RELEASED ON A CONFIDENTIAL BASIS FOR IDENTIFICATION PURPOSES ONLY.				
1. ALL DIMENSIONS IN INCHES [mm]					SIZE	WIDTH	MULT	LBS/M	TEMPER
- TWO PLACE DECIMALS \pm 0.02 [0.5]					FINISH				MATERIAL
- THREE PLACE DECIMALS \pm 0.005 [0.13]					SPEC No.				SPEC No.
					FIRST USED ON				SCALE 9:1
					DATE DRAWN	BY	CHKD	APVD	
					8/26/22	MK	10/25/22	10/25/22	
					NAME				PART No.
					RIGHT ANGLE SMT				RAHPCUC31AU1TR
					USB TYPE-C® 3.1, RoHS				REV A
REVISIONS					DO NOT SCALE DRAWING				



NOTES:

1. REEL BEGINS AND ENDS WITH APPROXIMATELY 10 EMPTY CAVITIES.
2. EACH REEL TO HOLD 700 PARTS TOTAL.
3. EACH BOX CONTAINS 9 REELS TOTAL FOR 6300 PARTS PER BOX.
4. THIS PART IS RoHS COMPLIANT.

CUSTOMER DRAWING

					THIS DRAWING DESCRIBES A DESIGN CONSIDERED PROPRIETARY IN NATURE, DEVELOPED AND MANUFACTURED BY SWITCHCRAFT INC. AND IS RELEASED ON A CONFIDENTIAL BASIS FOR IDENTIFICATION PURPOSES ONLY.					
					SIZE	WIDTH	MULT	LBS/M	TEMPER	
					UNLESS OTHERWISE SPECIFIED			FINISH		
					1. ALL DIMENSIONS IN INCHES [mm]			MATERIAL		
					- TWO PLACE DECIMALS ± 0.02 [0.5]			SPEC No.		
					- THREE PLACE DECIMALS ± 0.005 [0.13]			SCALE		
					FIRST USED ON			1:4		
					DATE DRAWN	BY	CHKD	APVD	Switchcraft [®]	
					08/30/22	TS	TS	TS		
A	28548	10/26/22	PC	TJK	SHEET 2 OF 2					
REV	ECO NUMBER	DATE	BY	APVD	NAME RIGHT ANGLE SMT				PART No.	REV
REVISIONS					DO NOT SCALE DRAWING				RAHPCUC31AU1TR	A
					USB TYPE-C [®] 3.1, RoHS					

