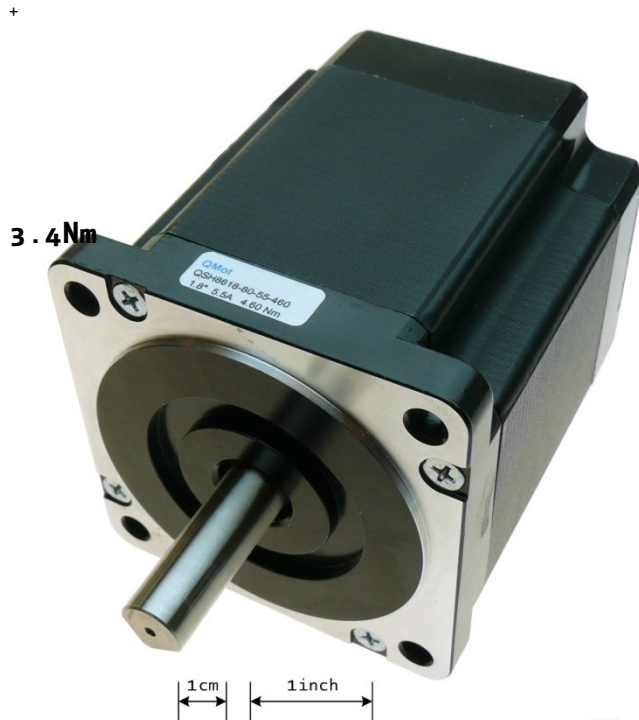


V1.07

QMOT QSH8618 MANUAL



QSH-8618

-65-59-340

86mm

3.0A (SER)/5.9A (PAR)

-80-55-460

86mm

5.5A, 4.6Nm

-96-55-700

86mm

5.5A, 7.0Nm

-118-60-870

86mm

6.0A, 8.7Nm

-156-62-1280

86mm

6.2A, 12.8Nm



Table of contents

1	Life support policy.....	3
2	Features	3
3	Order Codes	7
4	Dimensions of the QSH8618 motors.....	8
5	Leadwire configurations of the QSH8618 motors	9
5.1	QSH8618-65-59-340 leadwire configuration	9
5.2	QSH8618-80-55-460 leadwire configuration	9
5.3	QSH8618-96-55-700 leadwire configuration	9
5.4	QSH8618-118-60-870 leadwire configuration	10
5.5	QSH8618-156-62-1280 leadwire configuration	10
6	Torque figures	11
6.1	QSH8618-65-59-340	11
6.2	QSH8618-80-55-460	11
6.3	QSH8618-96-55-700	12
6.4	QSH8618-118-60-870	12
6.5	QSH8618-156-62-1280	13
7	Considerations for operation	14
7.1	Choosing the best fitting motor for an application	14
7.1.1	Determining the maximum torque required by your application	14
7.2	Motor Current Setting	14
7.2.1	Choosing the optimum current setting	15
7.2.2	Choosing the standby current	15
7.3	Motor Driver Supply Voltage	15
7.3.1	Determining if the given driver voltage is sufficient	16
7.4	Back EMF (BEMF).....	16
7.5	Choosing the Commutation Scheme	17
7.5.1	Fullstepping.....	18
7.5.1.1	Avoiding motor resonance in fullstep operation	18
8	Revision history	18
8.1	Document revision	18
9	References	Fehler! Textmarke nicht definiert.

1 Life support policy

TRINAMIC Motion Control GmbH & Co. KG does not authorize or warrant any of its products for use in life support systems, without the specific written consent of TRINAMIC Motion Control GmbH & Co. KG.

Life support systems are equipment intended to support or sustain life, and whose failure to perform, when properly used in accordance with instructions provided, can be reasonably expected to result in personal injury or death.

© TRINAMIC Motion Control GmbH & Co. KG 2011

Information given in this data sheet is believed to be accurate and reliable. However neither responsibility is assumed for the consequences of its use nor for any infringement of patents or other rights of third parties, which may result from its use.

Specifications are subject to change without notice.



2 Features

These four phase hybrid stepper motors are optimized for microstepping and give a good fit to the TRINAMIC family of motor controllers and drivers.

Main characteristics:

- NEMA 34 mounting configuration
- flange max. 85.85mm * 85.85mm
- step angle: 1.8°
- optimized for microstep operation
- optimum fit for TMC239/TMC249 based driver circuits, e.g. TMCM-078
- Neodymium magnets for maximal torque
- 4 wire connection
- CE approved

Specifications	Units	QSH8618					
		-65-59-340		-80-55-460	-96-55-700	-118-60-870	-156-62-1280
Wiring		PAR	SER				
Rated Voltage	V	1.65	3.42	2.3	2.56	2.7	3.5
Rated Phase Current (nominal)	A	5.9	3	5.5	5.5	6	6.2
Phase Resistance at 20°C	Ω	0.28	1.14	0.42	0.45	0.45	0.75
Phase Inductance (typ.)	mH	1.7	6.8	3.5	4.5	5.1	9
Holding Torque (typ.)	Nm	3.4	3.4	4.6	7.0	8.7	12.8
Detent Torque	Nm	0.078		0.117		0.235	0.353
Rotor Inertia	gcm ²	1000		1400	2700	2700	4000
Weight (Mass)	Kg	1.7		2.3	2.8	3.8	5.4
Insulation Class		B		B	B	B	B
Insulation Resistance	Ω	100M		100M	100M	100M	100M
Dialectic Strength (for one minute)	VAC	500		500	500	500	500
Connection Wires	N°	8		4	4	4	4
Max applicable Voltage	V	100		140	140	140	160
Step Angle	°	1.8		1.8	1.8	1.8	1.8
Step angle Accuracy	%	5		5	5	5	5
Flange Size (max.)	mm	85.85		85.85	85.85	85.85	85.85
Motor Length (max.)	mm	65.0		80.0	96	118.0	156.0
Axis Diameter	mm	12.0		12.7	12.7	12.7	15.875
Axis Length (visible part, typ.)	mm	31.75		31.75	31.75	24.0	24.0
Axis D-cut (1.1mm depth)	mm	-		25.0	25.0	(25.0)	(25.0)
Shaft Radial Play (450g load)	mm	0.02		0.02	0.02	0.02	0.02
Shaft Axial Play (450g load)	mm	0.08		0.08	0.08	0.08	0.08
Maximum Radial Force (20 mm from front flange)	N	220		220	220	220	220

Maximum Axial Force	N	60	60	60	60	60
Ambient Temperature	°C	-20...+50	-20...+50	-20...+50	-20...+50	-20...+50
Temp Rise (rated current, 2 phase on)	°C	max. 80	max. 80	max. 80	max. 80	max. 80

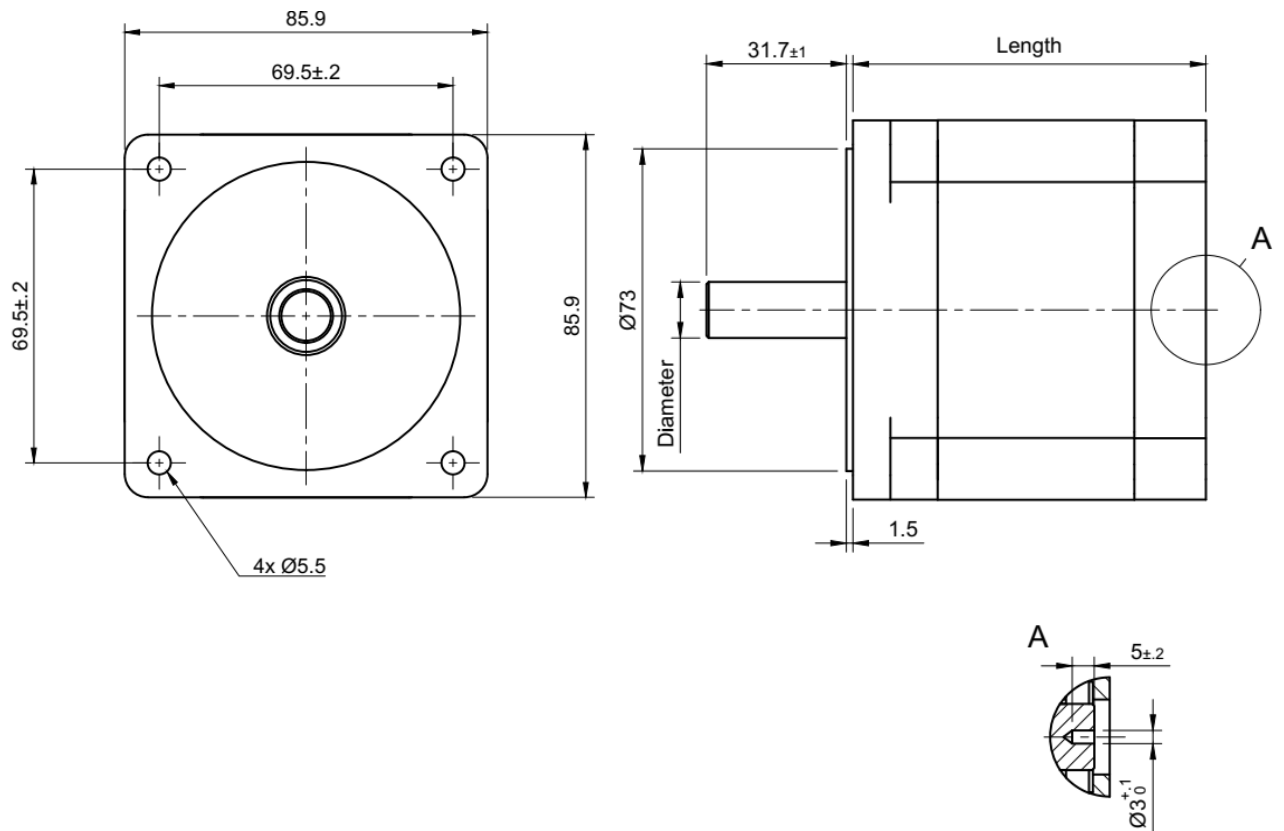
Table 2.1: Motor technical data

3 Order Codes

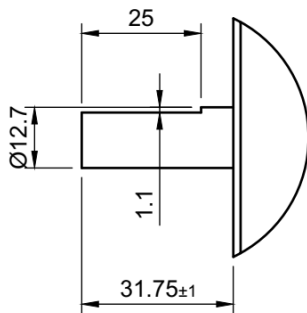
Order code	Description	Dimensions (mm)
QSH8618-65-59-340	QMot stepper motor 86mm, 3.0A (SER)/5.9A (PAR), 3.4Nm	85.85 x 85.85 x 65.0
QSH8618-80-55-460	QMot stepper motor 86mm, 5.5A, 4.6Nm	85.85 x 85.85 x 80.0
QSH8618-96-55-700	QMot stepper motor 86mm, 5.5A, 7.0Nm	85.85 x 85.85 x 96.0
QSH8618-118-60-870	QMot stepper motor 86mm, 6.0A, 8.7Nm	85.85 x 85.85 x 118.0
QSH8618-156-62-1280	QMot stepper motor 86mm, 6.2A, 12.8Nm	85.85 x 85.85 x 156.0

Table 3.1: Order codes

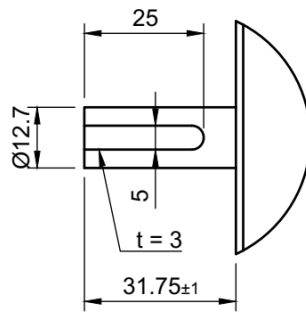
4 Dimensions of the QSH8618 motors



Axis with D-Cut
 QSH-8618-80-55-460
 QSH-8618-96-55-700



Axis with slotted shaft
 QSH-8618-118-60-870



Axis with slotted shaft
 QSH-8618-156-62-1280

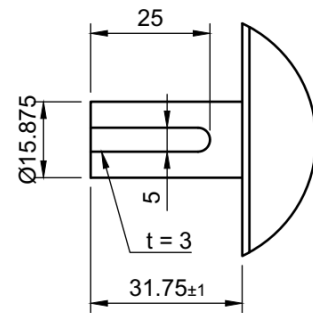


Figure 4.1: Dimensions of the QSH8618 motor family

5 Leadwire configurations of the QSH8618 motors

5.1 QSH8618-65-59-340 leadwire configuration

Cable type	Gauge	Coil	Function
Red	UL1430 AWG20	A	Motor coil A pin 1
Yellow	UL1430 AWG20	A-	Motor coil A pin 2
Blue	UL1430 AWG20	C-	Motor coil C pin 2
Black	UL1430 AWG20	C	Motor coil C pin 1
White	UL1430 AWG20	B	Motor coil B pin 1
Orange	UL1430 AWG20	B-	Motor coil B pin 2
Brown	UL1430 AWG20	D-	Motor coil D pin 2
Green	UL1430 AWG20	D	Motor coil D pin 1

Table 5.1: QSH8618-65-59-340 leadwire configuration

Please note:

- For parallel configuration (PAR) connect A with C- and A- with C for one coil and B with D- and B- with D for the other coil.
- For connection in series (SER) connect A- and C-. The feed-in is at A and C. Connect further B- and D-. The feed-in is at B and D.

5.2 QSH8618-80-55-460 leadwire configuration

Cable type	Gauge	Coil	Function
Red	UL1430 AWG20	A	Motor coil A pin 1
White	UL1430 AWG20	A-	Motor coil A pin 2
Yellow	UL1430 AWG20	B	Motor coil B pin 1
Green	UL1430 AWG20	B-	Motor coil B pin 2

Table 5.2: QSH8618-80-55-460 leadwire configuration

5.3 QSH8618-96-55-700 leadwire configuration

Cable type	Gauge	Coil	Function
Red	UL1430 AWG20	A	Motor coil A pin 1
White	UL1430 AWG20	A-	Motor coil A pin 2
Yellow	UL1430 AWG20	B	Motor coil B pin 1
Green	UL1430 AWG20	B-	Motor coil B pin 2

Table 5.3: QSH8618-96-55-700 leadwire configuration

5.4 QSH8618-118-60-870 leadwire configuration

Cable type	Gauge	Coil	Function
Red	UL1430 AWG20	A	Motor coil A pin 1
White	UL1430 AWG20	A-	Motor coil A pin 2
Yellow	UL1430 AWG20	B	Motor coil B pin 1
Green	UL1430 AWG20	B-	Motor coil B pin 2

Table 5.4: QSH8618-118-60-870 leadwire configuration

5.5 QSH8618-156-62-1280 leadwire configuration

Cable type	Gauge	Coil	Function
Red	UL1430 AWG20	A	Motor coil A pin 1
White	UL1430 AWG20	A-	Motor coil A pin 2
Yellow	UL1430 AWG20	B	Motor coil B pin 1
Green	UL1430 AWG20	B-	Motor coil B pin 2

Table 5.5: QSH8618-156-62-1280 leadwire configuration

6 Torque figures

The torque figures detail motor torque characteristics for full step operation in order to allow simple comparison. For half step operation there are always a number of resonance points (with less torque) which are not depicted. These will be minimized by microstep operation in most applications.

6.1 QSH8618-65-59-340

Testing conditions: 48V; 6.0A RMS coil current, parallel connection of coils (PAR), full step operation

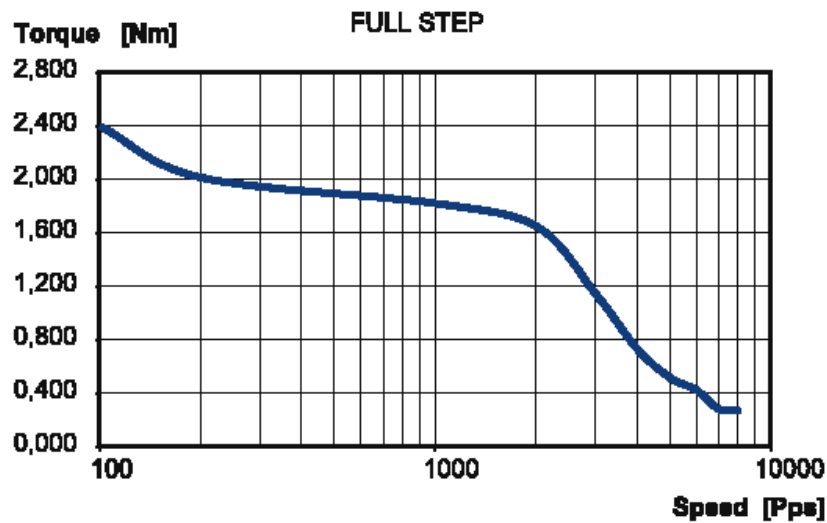


Figure 6.1: QSH8618-65-59-340 speed vs. torque characteristics

6.2 QSH8618-80-55-460

Testing conditions: 48V; 5.5A RMS coil current, full step operation

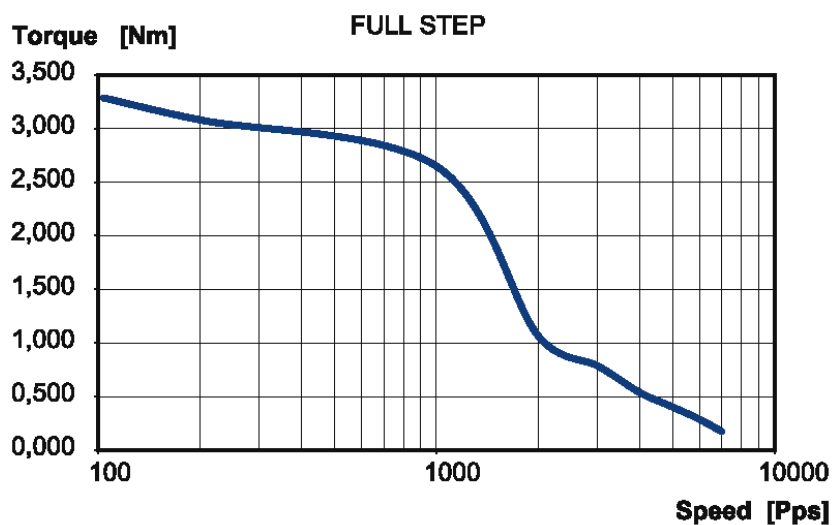


Figure 6.2: QSH8618-80-55-460 speed vs. torque characteristics

6.3 QSH8618-96-55-700

Testing conditions: 48V; 5.5A RMS coil current, full step operation

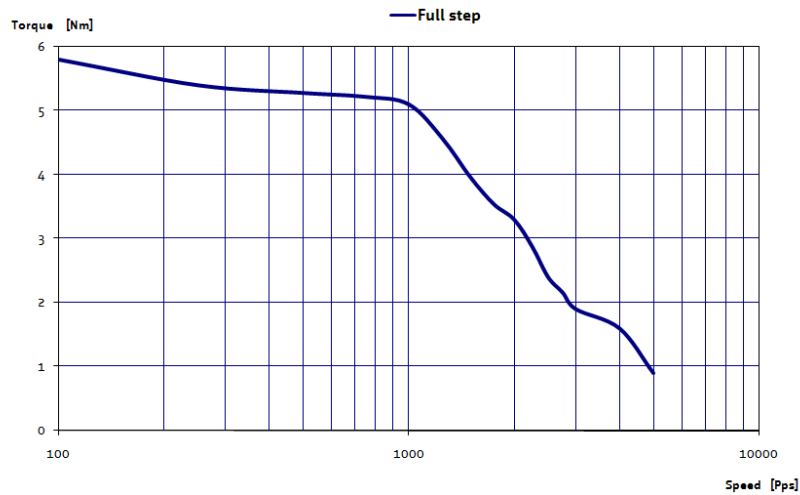


Table 6.3: QSH8618-96-55-700 speed vs. torque characteristics

6.4 QSH8618-118-60-870

Testing conditions: 100V; 6.0A RMS coil current, full step operation

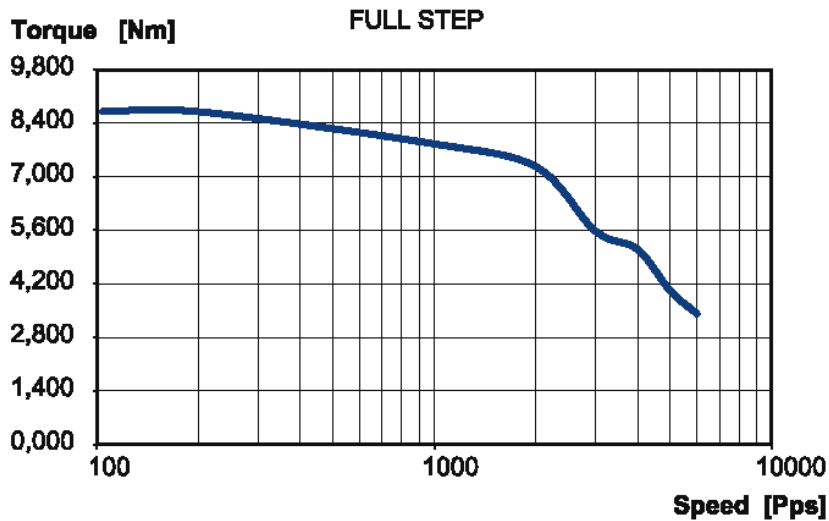


Figure 6.4: QSH8618-118-60-870 speed vs. torque characteristics

6.5 QSH8618-156-62-1280

Testing conditions: 100V; 6.0A RMS coil current, full step operation

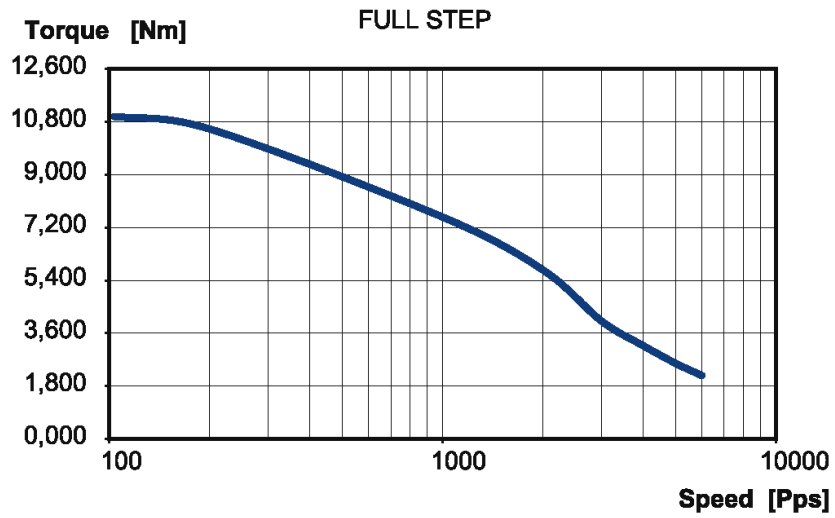


Figure 6.5: QSH8618-156-62-1280 speed vs. torque characteristics

7 Considerations for operation

The following chapters try to help you to correctly set the key operation parameters in order to get a stable system.

7.1 Choosing the best fitting motor for an application

For an optimum solution it is important to fit the motor to the application and to choose the best mode of operation. The key parameters are the desired motor torque and velocity. While the motor holding torque describes the torque at stand-still, and gives a good indication for comparing different motors, it is not the key parameter for the best fitting motor. The required torque is a result of static load on the motor, dynamic loads which occur during acceleration/deceleration and loads due to friction. In most applications the load at maximum desired motor velocity is most critical, because of the reduction of motor torque at higher velocity. While the required velocity generally is well known, the required torque often is only roughly known. Generally, longer motors and motors with a larger diameter deliver a higher torque. But, using the same driver voltage for the motor, the larger motor earlier loses torque when increasing motor velocity. This means, that for a high torque at a high motor velocity, the smaller motor might be the fitting solution. Please refer to the torque vs. velocity diagram to determine the best fitting motor, which delivers enough torque at the desired velocities.

7.1.1 Determining the maximum torque required by your application

Just try a motor with a torque 30-50% above the application's maximum requirement. Take into consideration worst case conditions, i.e. minimum driver supply voltage and minimum driver current, maximum or minimum environment temperature (whichever is worse) and maximum friction of mechanics. Now, consider that you want to be on the safe side, and add some 10 percent safety margin to take into account for unknown degradation of mechanics and motor. Therefore try to get a feeling for the motor reliability at slightly increased load, especially at maximum velocity. That is also a good test to check the operation at a velocity a little higher than the maximum application velocity.

7.2 Motor Current Setting

Basically, the motor torque is proportional to the motor current, as long as the current stays at a reasonable level. At the same time, the power consumption of the motor (and driver) is proportional to the square of the motor current. Optimally, the motor should be chosen to bring the required performance at the rated motor current. For a short time, the motor current may be raised above this level in order to get increased torque, but care has to be taken in order not to exceed the maximum coil temperature of 130°C respectively a continuous motor operation temperature of 90°C.

Percentage of rated current	Percentage of motor torque	Percentage of static motor power dissipation	Comment
150%	≤150%	225%	Limit operation to a few seconds
125%	125%	156%	Operation possible for a limited time
100%	100%	100% $= 2 * I_{RMS_RATED} * R_{COIL}$	Normal operation
85%	85%	72%	Normal operation
75%	75%	56%	Normal operation
50%	50%	25%	Reduced microstep exactness due to torque reducing in the magnitude of detent torque

38%	38%	14%	-“-
25%	25%	6%	-“-
0%	see detent torque	0%	Motor might loose position if the application's friction is too low

Table 7.1: Motor current settings

7.2.1 Choosing the optimum current setting

Generally, you choose the motor in order to give the desired performance at nominal current. For short time operation, you might want to increase the motor current to get a higher torque than specified for the motor. In a hot environment, you might want to work with a reduced motor current in order to reduce motor self heating.

The Trinamic drivers allow setting the motor current for up to three conditions:

- Stand still (choose a low current)
- Nominal operation (nominal current)
- High acceleration (if increased torque is required: You may choose a current above the nominal setting, but be aware, that the mean power dissipation shall not exceed the motors nominal rating)

7.2.2 Choosing the standby current

Most applications do not need much torque during motor standstill. You should always reduce the motor current during standstill. This reduces power dissipation and heat generation. Depending on your application, you typically at least can half power dissipation. There are several aspects why this is possible: In standstill, motor torque is higher than at any other velocity. Thus, you do not need the full current even with a static load! Your application might need no torque at all, but you might need to keep the exact microstep position: Try how low you can go in your application. If the microstep position exactness does not matter for the time of standstill, you might even reduce the motor current to zero, provided that there is no static load on the motor and enough friction in order to avoid complete position loss.

7.3 Motor Driver Supply Voltage

The driver supply voltage in many applications cannot be chosen freely, because other components have a fixed supply voltage of e.g. 24V DC. If you have the possibility to choose the driver supply voltage, please refer to the driver data sheet and consider that a higher voltage means a higher torque at higher velocity. The motor torque diagrams are measured for a given supply voltage. You typically can scale the velocity axis (steps/sec) proportionally to the supply voltage to adapt the curve, e.g. if the curve is measured for 48V and you consider operation at 24V, half all values on the x-Axis to get an idea of the motor performance.

For a chopper driver, consider the following corner values for the driver supply voltage (motor voltage). The table is based on the nominal motor voltage, which normally just has a theoretical background in order to determine the resistive loss in the motor.

Comment on the nominal motor voltage:
(Please refer to motor technical data table.)

$$U_{\text{COIL_NOM}} = I_{\text{RMS_RATED}} * R_{\text{COIL}}$$

Parameter	Value	Comment
Minimum driver supply voltage	$2 * U_{\text{COIL_NOM}}$	Very limited motor velocity. Only slow movement without torque reduction. Chopper noise might become audible.
Optimum driver supply voltage	$\geq 4 * U_{\text{COIL_NOM}}$ and $\leq 22 * U_{\text{COIL_NOM}}$	Choose the best fitting voltage in this range using the motor torque curve and the driver data. You can scale the torque curve proportionally to the actual driver supply voltage.
Maximum rated driver supply voltage	$25 * U_{\text{COIL_NOM}}$	When exceeding this value, the magnetic switching losses in the motor reach a relevant magnitude and the motor might get too hot at nominal current. Thus there is no benefit in further raising the voltage.

Table 7.2: Driver supply voltage considerations

7.3.1 Determining if the given driver voltage is sufficient

Try to brake the motor and listen to it at different velocities. Does the sound of the motor get raucous or harsh when exceeding some velocity? Then the motor gets into a resonance area. The reason is that the motor back-EMF voltage reaches the supply voltage. Thus, the driver cannot bring the full current into the motor any more. This is typically a sign, that the motor velocity should not be further increased, because resonances and reduced current affect motor torque.

Measure the motor coil current at maximum desired velocity

For microstepping: If the waveform is still basically sinusoidal, the motor driver supply voltage is sufficient.

For Fullstepping: If the motor current still reaches a constant plateau, the driver voltage is sufficient.

If you determine, that the voltage is not sufficient, you could either increase the voltage or reduce the current (and thus torque).

7.4 Back EMF (BEMF)

Within SI units, the numeric value of the BEMF constant has the same numeric value as the numeric value of the torque constant. For example, a motor with a torque constant of 1 Nm/A would have a BEMF constant of 1V/rad/s. Turning such a motor with 1 rps (1 rps = 1 revolution per second = 6.28 rad/s) generates a BEMF voltage of 6.28V.

The Back EMF constant can be calculated as:

$$U_{\text{BEMF}} \left[\frac{V}{\text{rad} / s} \right] = \frac{\text{Motor Holding Torque} [Nm]}{2 \cdot I_{\text{NOM}} [A]}$$

The voltage is valid as RMS voltage per coil, thus the nominal current I_{NOM} is multiplied by 2 in this formula, since the nominal current

assumes a full step position, with two coils switched on. The torque is in unit [Nm] where $1\text{Nm} = 100\text{cNm} = 1000\text{mNm}$.

One can easily measure the BEMF constant of a two phase stepper motor with a (digital) scope. One just has to measure the voltage of one coil (one phase) when turning the axis of the motor manually. With this, one gets a voltage (amplitude) and a frequency of a periodic voltage signal (sine wave). The full step frequency is 4 times the frequency the measured sine wave.

7.5 Choosing the Commutation Scheme

While the motor performance curves are depicted for fullstepping and halfstepping, most modern drivers provide a microstepping scheme. Microstepping uses a discrete sine and a cosine wave to drive both coils of the motor, and gives a very smooth motor behavior as well as an increased position resolution. The amplitude of the waves is 1.41 times the nominal motor current, while the RMS values equal the nominal motor current. The stepper motor does not make loud steps any more – it turns smoothly! Therefore, 16 microsteps or more are recommended for a smooth operation and the avoidance of resonances. To operate the motor at fullstepping, some considerations should be taken into account.

Driver Scheme	Resolution	Velocity range	Torque	Comments
Fullstepping	200 steps per rotation	Low to very high. Skip resonance areas in low to medium velocity range.	Full torque if damper used, otherwise reduced torque in resonance area	Audible noise especially at low velocities
Halfstepping	200 steps per rotation * 2	Low to very high. Skip resonance areas in low to medium velocity range.	Full torque if damper used, otherwise reduced torque in resonance area	Audible noise especially at low velocities
Microstepping	200 * (number of microsteps) per rotation	Low to high.	Reduced torque at very high velocity	Low noise, smooth motor behavior
Mixed: Microstepping and fullstepping for high velocities	200 * (number of microsteps) per rotation	Low to very high.	Full torque	At high velocities, there is no audible difference for fullstepping

Table 7.3: Comparing microstepping and fullstepping

Microstepping gives the best performance for most applications and can be considered as state-of-the-art. However, fullstepping allows some ten percent higher motor velocities, when compared to microstepping. A combination of microstepping at low and medium velocities and fullstepping at high velocities gives best performance at all velocities and is most universal. Most Trinamic driver modules support all three modes.

7.5.1 Fullstepping

When operating the motor in fullstep, resonances may occur. The resonance frequencies depend on the motor load. When the motor gets into a resonance area, it even might not turn anymore! Thus you should avoid resonance frequencies.

7.5.1.1 Avoiding motor resonance in fullstep operation

Do not operate the motor at resonance velocities for extended periods of time. Use a reasonably high acceleration in order to accelerate to a resonance-free velocity. This avoids the build-up of resonances. When resonances occur at very high velocities, try reducing the current setting.

A resonance dampener might be required, if the resonance frequencies cannot be skipped.

8 Revision history

8.1 Document revision

Version	Date	Author	Description
1.00	Initial Version	GE	Initial version
1.01	2008-MAR-20	GE	Picture of motor has been added
1.02	2008-APR-01	GE	Max. operating voltage added
1.03	2009-MAY-15	SD	QSH8618-96-55-700 added, dimension drawings renewed, minor changes
1.04	2010-OCT-12	SD	Minor changes
1.05	2010-OCT-25	SD	QSH8618-65-59-340 leadwire configuration corrected.
1.06	2011-MAR-18	SD	Dimensions corrected and updated
1.07	2019-DEC-11	SK	Motor drawings updated.

Table 8.1: Document revision