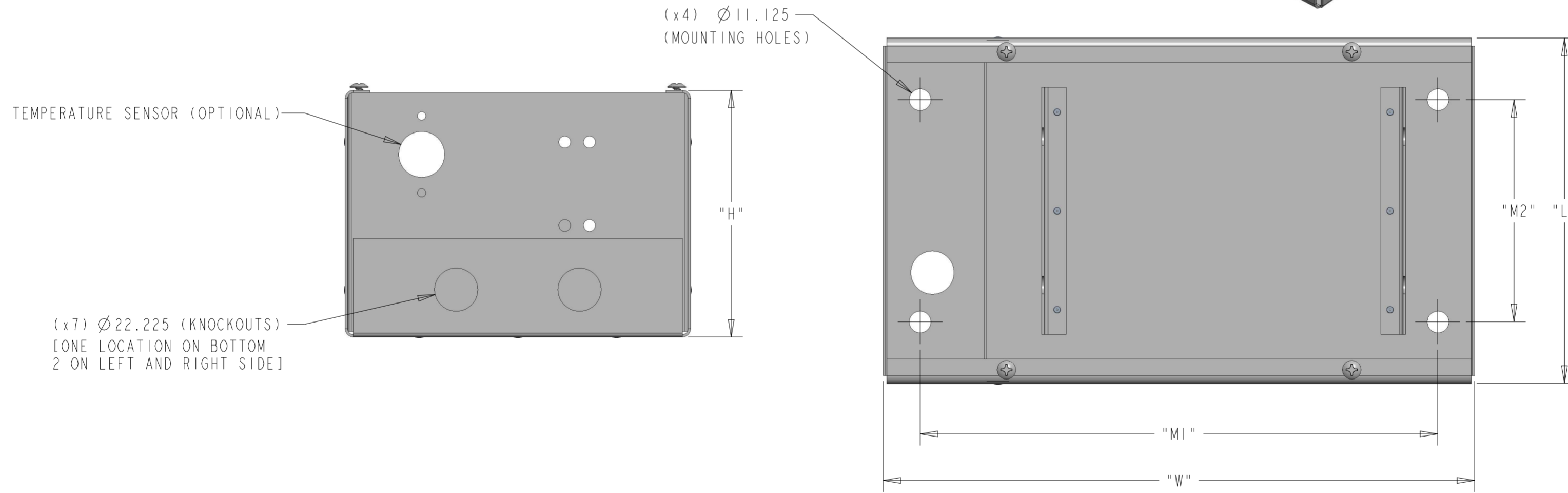
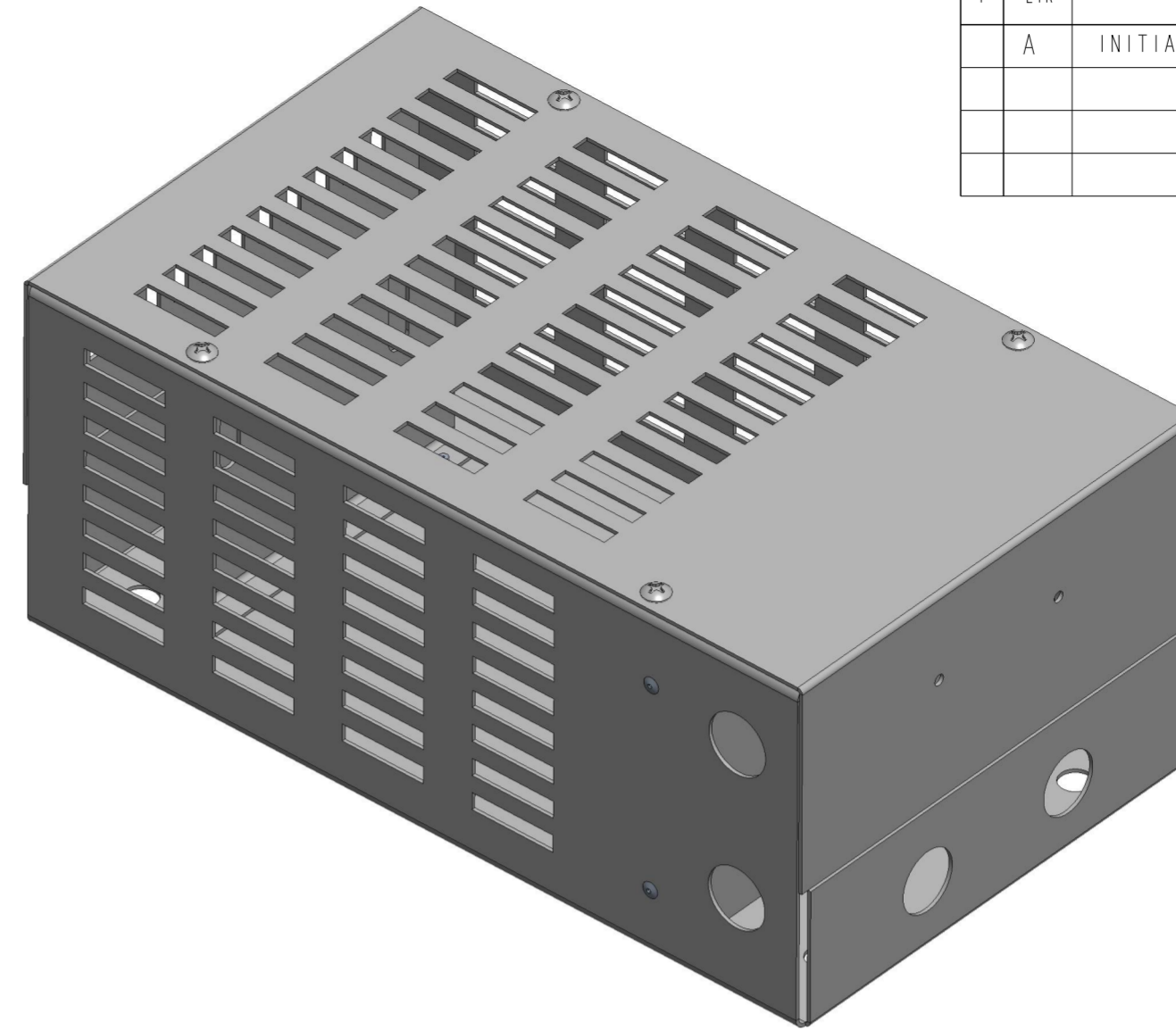
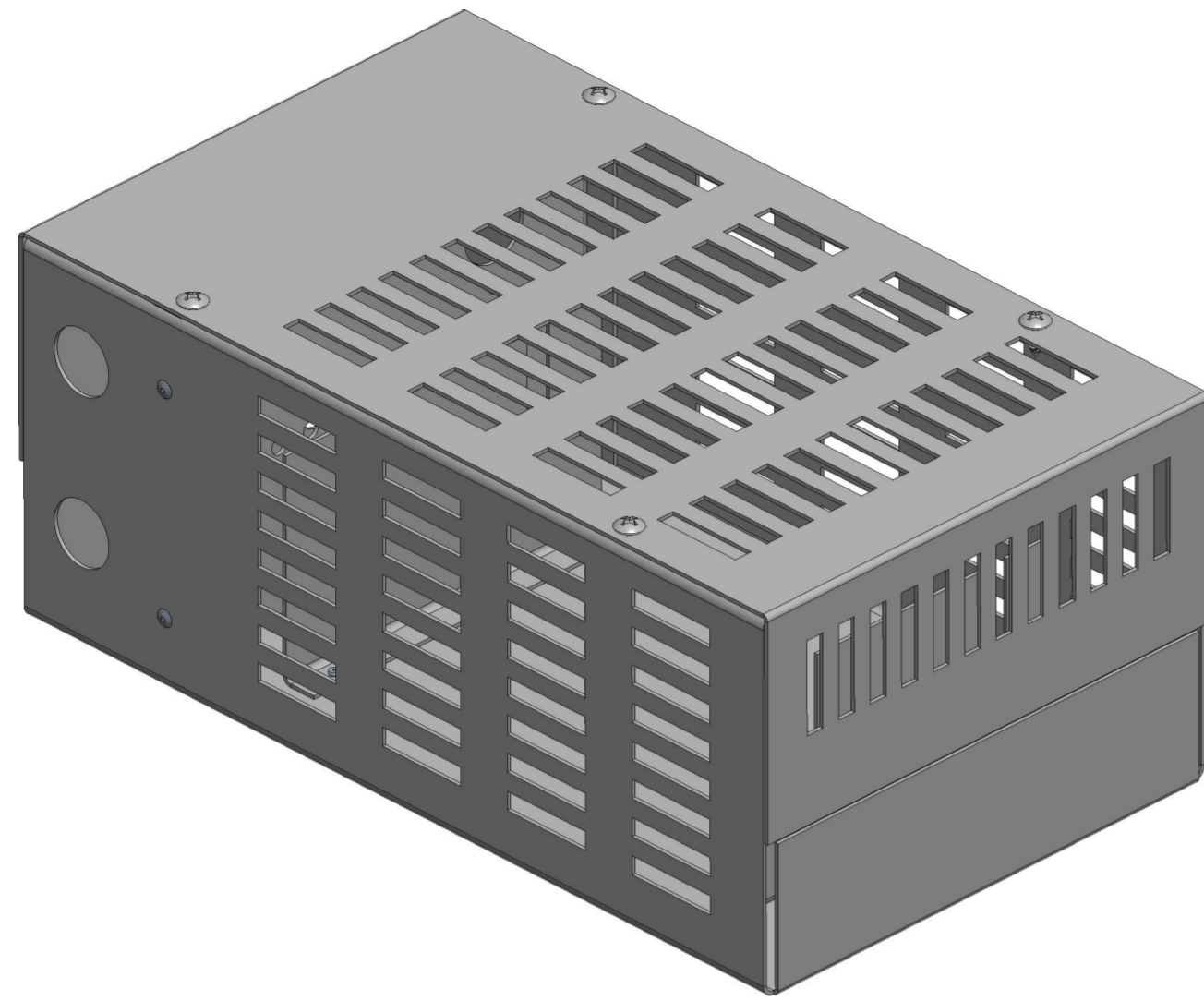


P	LTR	DESCRIPTION	DATE	DWN	APVD
A		INITIAL RELEASE	07OCT2021	KS	AP

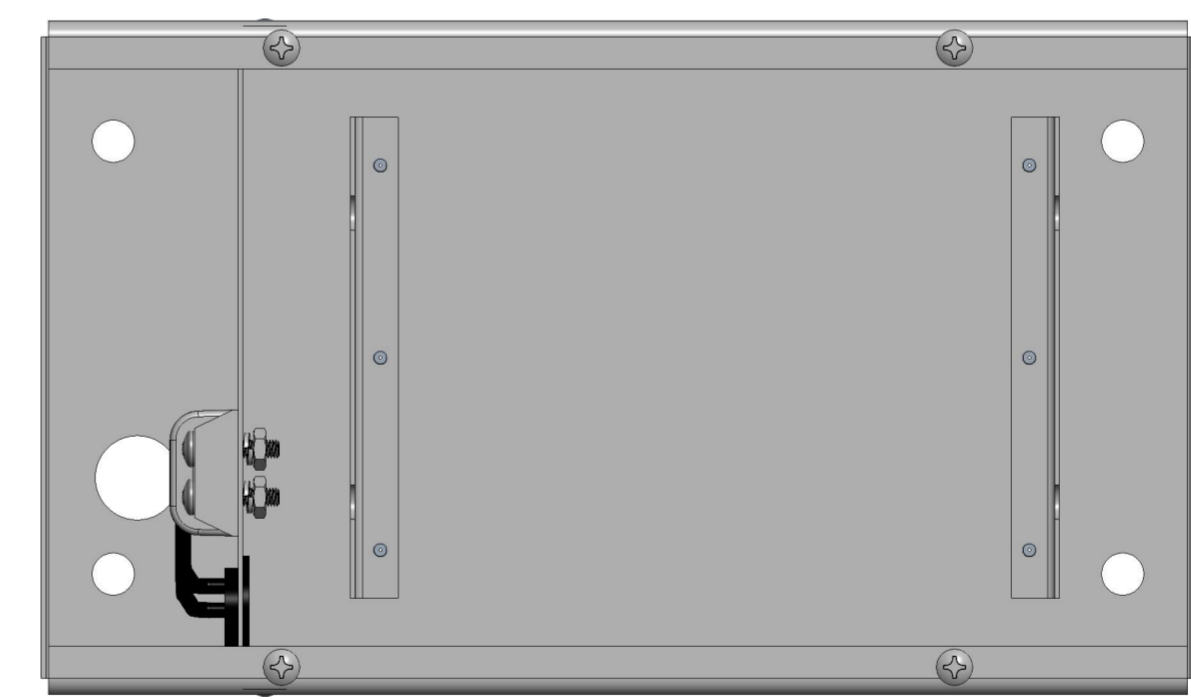
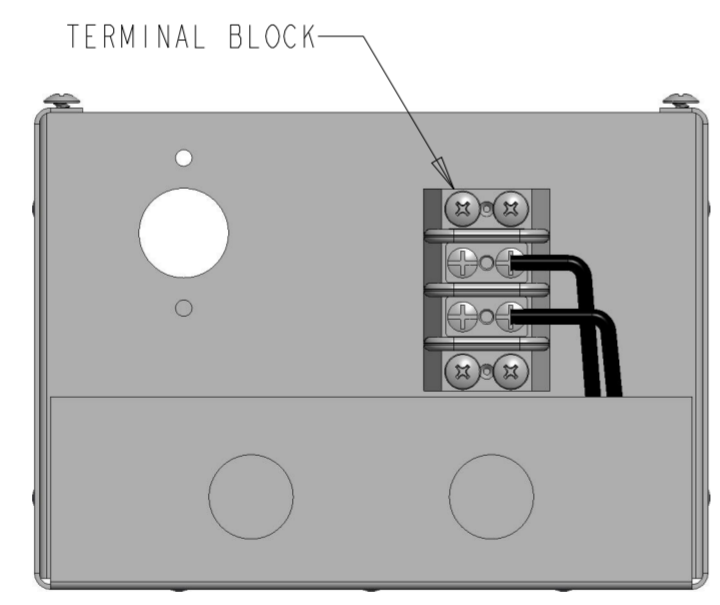
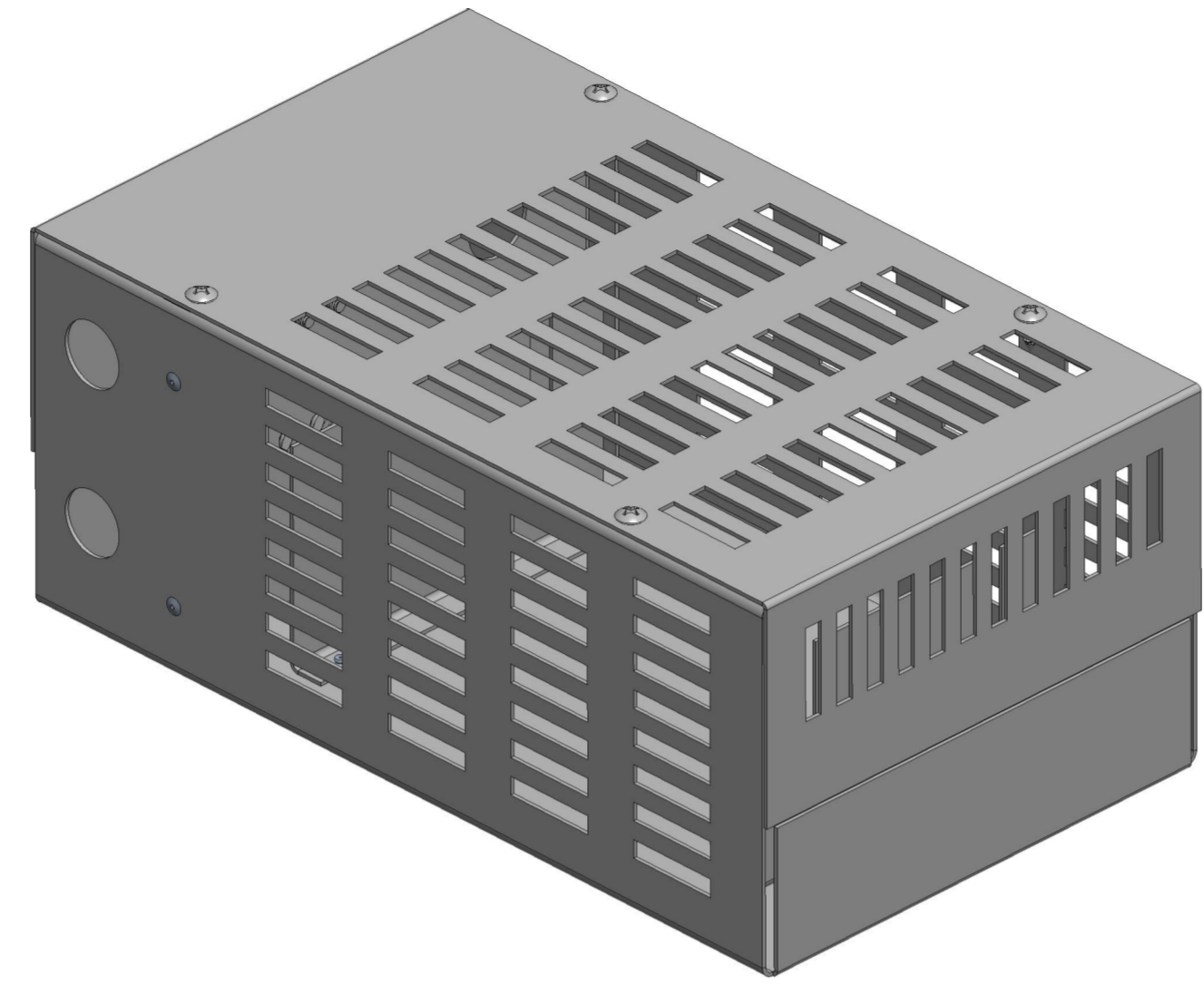



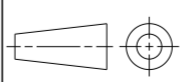
PART NUMBER	W (mm)	L (mm)	H (mm)	M1 (mm)	M2 (mm)	TOTAL RESISTANCE	H.P.	DUTY CYCLE	DRIVE VOLTAGE	BRAKING TORQUE
HPBA007CIK0100E	305	178	127	267	114	1000 Ohms \pm 10%	0.75	100%	460 V	100%

NOTE:
1. FOR FURTHER TECHNICAL INFORMATION PLEASE SEE THE DATASHEET FOR THE HPBA SERIES

THIS DRAWING IS A CONTROLLED DOCUMENT.		DWN S. KARTHIK 17-09-2021	TE Connectivity	
DIMENSIONS: mm		CHK ALLAN PILE 17-09-2021		
TOLERANCES UNLESS OTHERWISE SPECIFIED:		APVD ALLAN PILE 17-09-2021	NAME BRAKING RESISTOR ASSEMBLY TYPE HPBA SERIES HPBA007CIK0100E	
0 PLC \pm 1 PLC \pm 2 PLC ± 0.50 3 PLC ± 0.500 4 PLC \pm ANGLES \pm FINISH		PRODUCT SPEC -	SIZE A2	
MATERIAL		APPLICATION SPEC -	CAGE CODE 00779	DRAWING NO C-2-2176470-7
		WEIGHT -	RESTRICTED TO -	
		CUSTOMER DRAWING	SCALE 1:2	SHEET 1 OF 2
			REV A	

REVISIONS					
P	LTR	DESCRIPTION	DATE	DWN	APVD
-		SEE SHEET 1	-	-	-



THIS DRAWING IS A CONTROLLED DOCUMENT.		DWN S. KARTHIK 17-09-2021	 TE Connectivity		
DIMENSIONS: mm		CHK ALLAN PILE 17-09-2021			
		APVD ALLAN PILE 17-09-2021	RESTRICTED TO		
TOLERANCES UNLESS OTHERWISE SPECIFIED:		PRODUCT SPEC	SIZE	CAGE CODE	DRAWING NO
0 PLC	±	-	A2	00779	C-2-2176470-7
1 PLC	±	APPLICATION SPEC	SCALE	SHEET	OF
2 PLC	±0.50	-	1:2	2	2
3 PLC	±0.500	WEIGHT	REV A		
4 PLC	±	-			
ANGLES	±	CUSTOMER DRAWING			
FINISH	-				