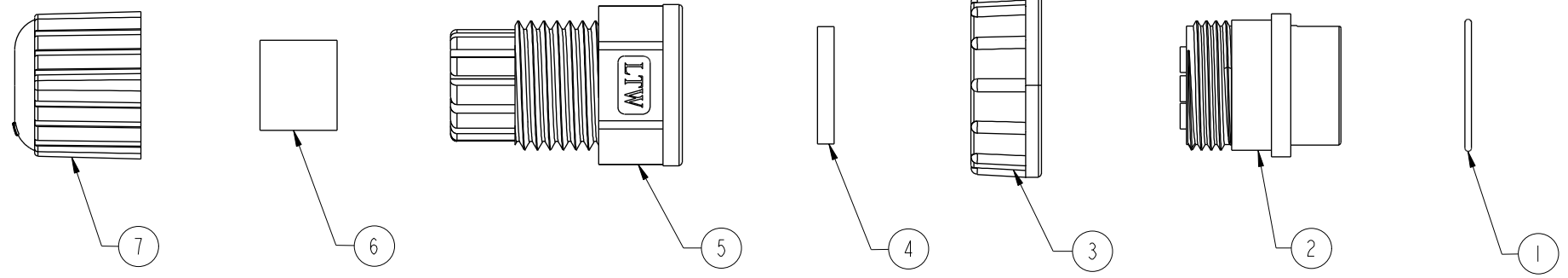


THIS DOCUMENT IS SUBJECT TO CHANGE WITHOUT NOTICE. IT IS CONFIDENTIAL AND A PROPERTY OF AMPHENOL LTW. DISCLOSURE TO THIRD PARTY HAS TO BE AUTHORIZED BY AMPHENOL LTW.

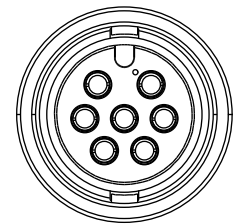
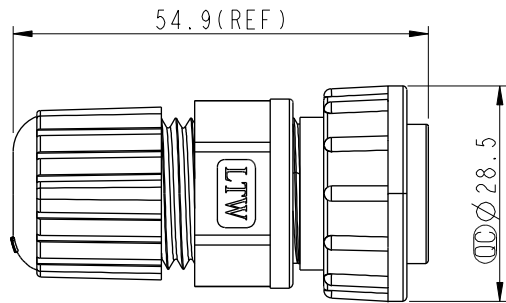
REV.	ECN NO.	DATE	SIGN	DESCRIPTION
B	LEN-870149	2008/07/25	Yuri	Update Drawing



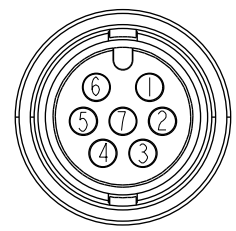
**ALTW**  
 CONFIDENTIAL  
 2012-05-07  
 R&D DEPT.

**ALTW**  
 DCC. DEPT.  
 CONFIDENTIAL  
 2012-06-21  
**ISSUED**

- Notes:
- \*  $\varnothing$  Important Dimension To Check.
  - \* Waterproof Rate: IP67
  - \* Housing: Black, Nylon+GF
  - \* Pin: Copper Alloy, Gold Plated
  - \* Nut: Black, Nylon+GF
  - \*  $\triangle B$  Gasket: Black, Silicone
  - \* Ring: Black, EPDM
  - \* Clamp Ring: Black, Nylon
  - \*  $\triangle B$  Seals: Black, EPDM
  - \* Sealing Nut: Black, Nylon
  - \* Seals For Cable OD:  $\varnothing$ 5.5mm~10.8mm
  - \* One Set Unassembled In One PE Bag



Conn.



Pin Assignments  
Front View

UNIT: mm		TITLE Large Assy Lock 7Pin F Conn F Pin			<b>Amphenol LTW</b> 安費諾亮泰企業股份有限公司	ITEM NO DC-07BFFA-LL7001	DRAWN BY SamChang	DATE 2012-05-07
		TOLERANCE .X ±0.25 .XX ±0.1 .XXX ±0.05 ANGLES ±1°	SCALE 1:1	SIZE A4		SHEET 1 OF 1	DWG NO DC-07BFFA-LL7001	CHECKED BY Jeffrey
		REV. B	WC-REV. A.2	$\varnothing$ : Inspection item	CUSTOMER ALTW	APPROVED BY Lion	DATE 2012-06-21	