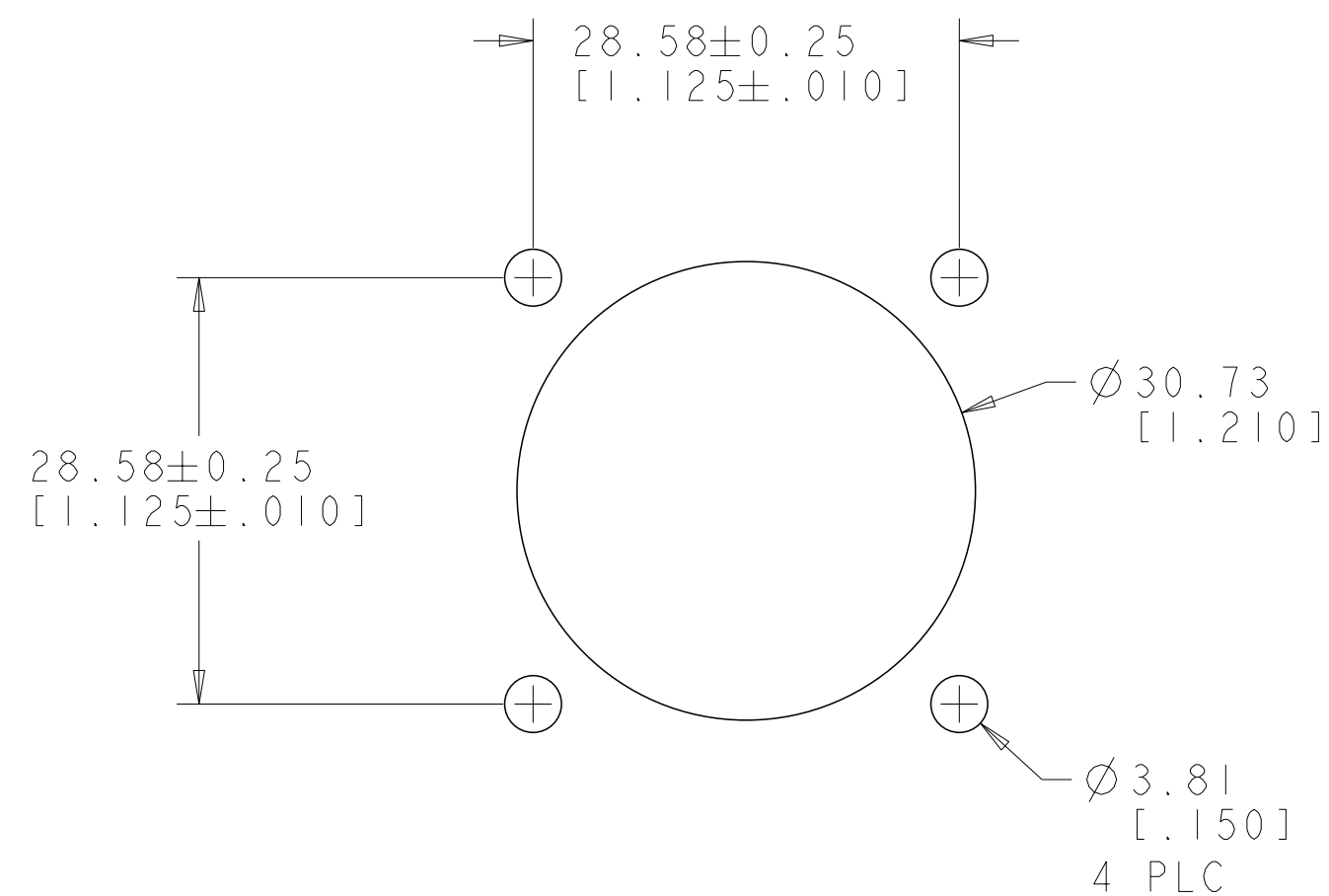
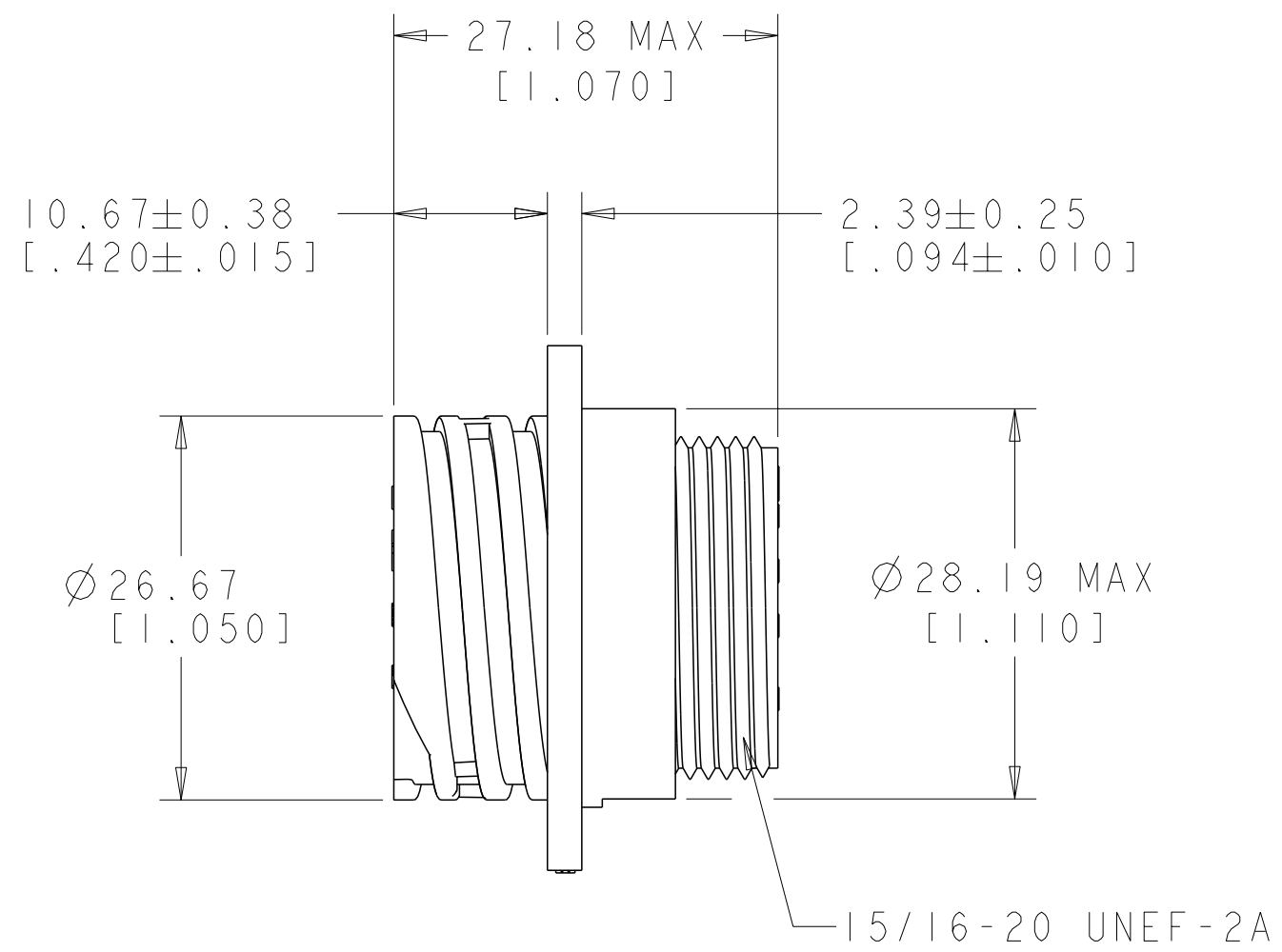
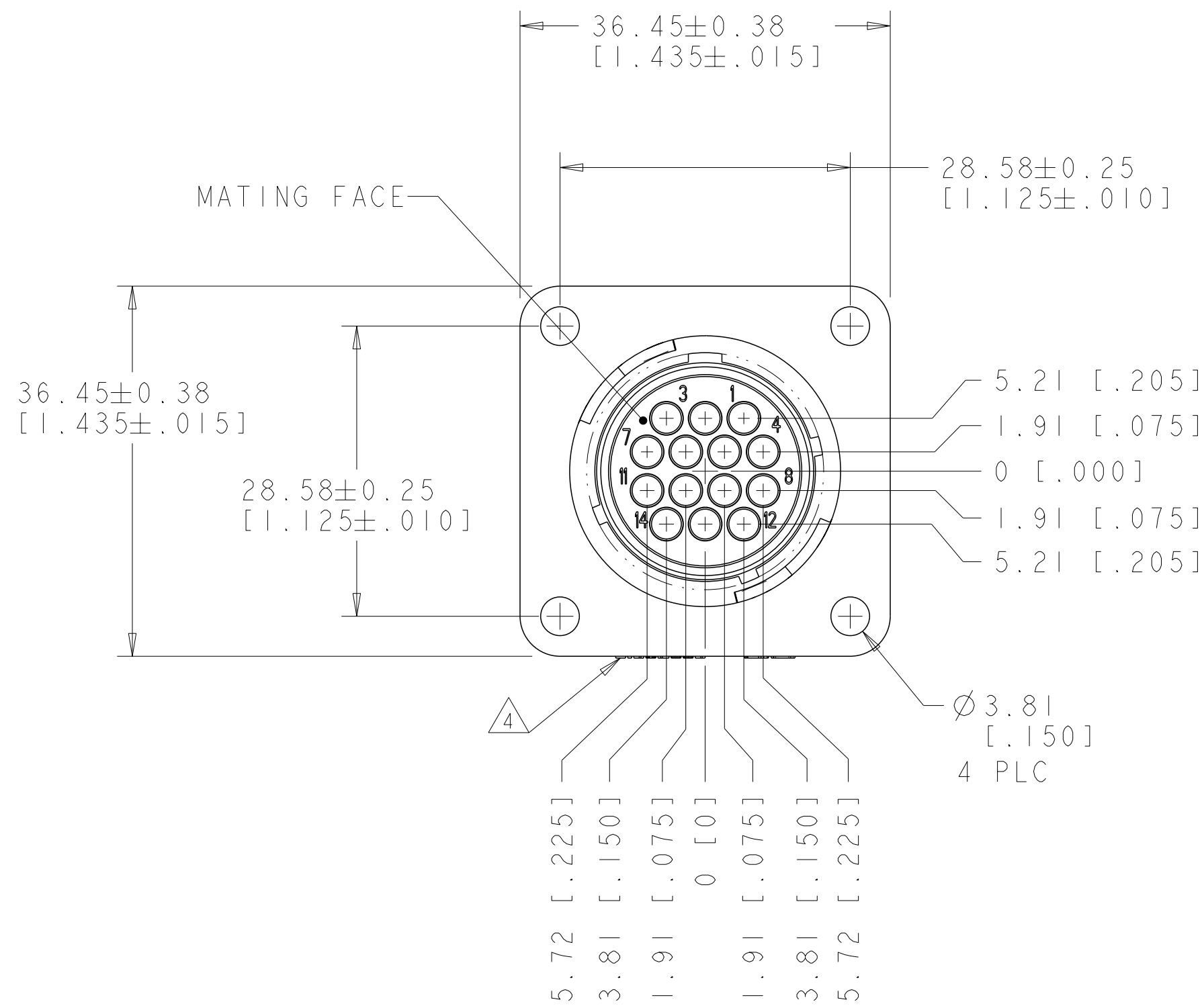


P	LTR	DESCRIPTION	DATE	DWN	APVD
C		REVISED PER ECO-21-006943	18OCT2021	RK	MZ



RECOMMENDED PANEL CUTOUT
3.18 [.125] MAX PANEL THICKNESS

- △ NYLON, BLACK.
- 2. HOUSING WILL ACCEPT 14 MULTIMATE SOCKET CONTACTS.
- 3. CAVITY IDENTIFICATION ON FRONT AND REAR FACE.
- △ TE LOGO AND PART NUMBER LOCATED ON ANY FLANGE EDGE

796437-2
PART NUMBER

THIS DRAWING IS A CONTROLLED DOCUMENT.		DWN S. WELDON 31MAR100	TE Connectivity	
DIMENSIONS: mm [INCHES]		CHK M. CHACKO 31MAR100		
TOLERANCES UNLESS OTHERWISE SPECIFIED:		APVD M. CHACKO 31MAR100	NAME RECEPTACLE HOUSING, SIZE 17-14, REVERSE SEX, CPC	
0 PLC ± 1 PLC ±0.1 2 PLC ±0.02 3 PLC ±0.005 4 PLC ±0.0005 ANGLES ± FINISH -		PRODUCT SPEC -	APPLICATION SPEC -	RESTRICTED TO -
MATERIAL △		WEIGHT -	SIZE A200779	CAGE CODE C-796437
CUSTOMER DRAWING			SCALE 2:1	SHEET 1 OF 1