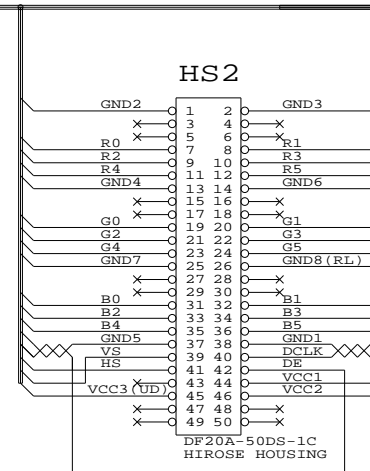
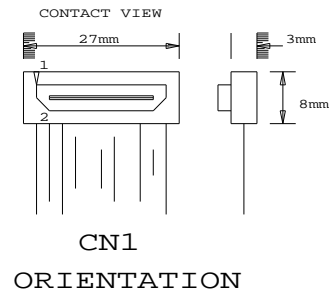
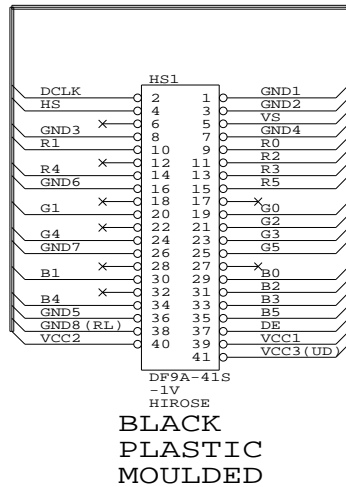


PANEL SIDE



CABLE: UL1571, 30AWG , COLOR CODED
 INNER SHIELDING: COPPER MESH
 OUTER SHIELDING: NYLON MESH FOR INSULATION
 DCLK/GND1 & DE/GND5 MUST USE TWISTED PAIR WIRE

REMARK: SUPPORT SVH-1920, ALR-1400, SP-1600

P/N 426501300-3

PANEL CABLE: LB121S1-A2, 330mm

DIGITAL VIEW LTD.		
COPYRIGHT 2007, ALL RIGHTS RESERVED		
CONFIDENTIAL		
DRAWN BY: VICTOR NG		
Title P.CABLE: LB121S1-A2,330mm		
Size Document Number		
B	(... \DV \DV_CABLE \C6501300.SCH)	REV 00
Date:	July 6, 2007	Sheet 1 of 1