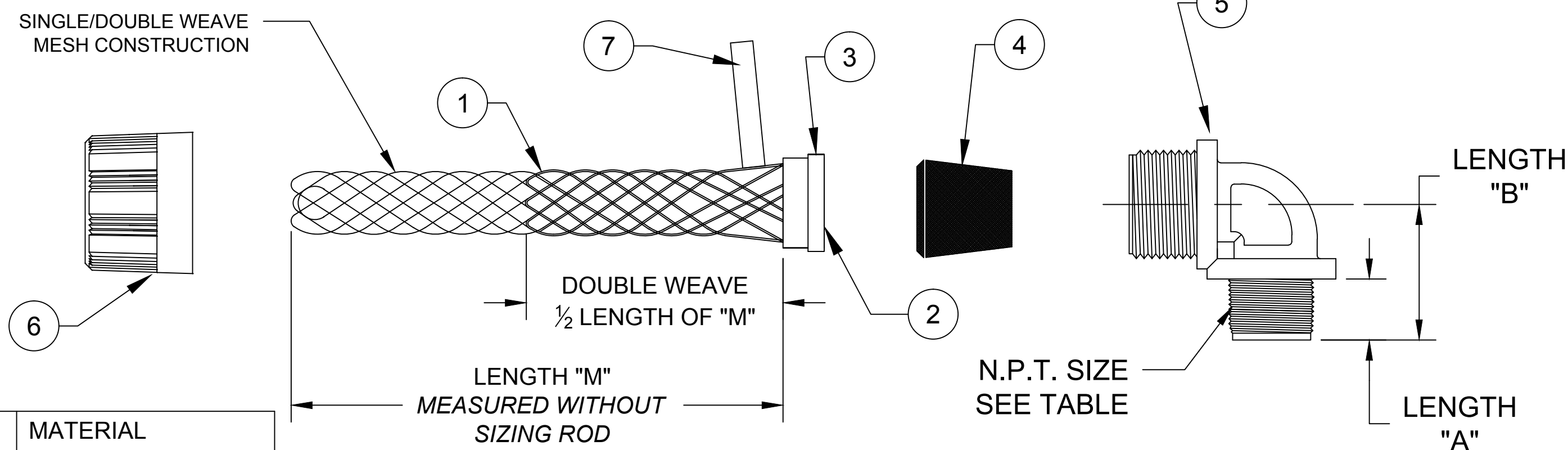
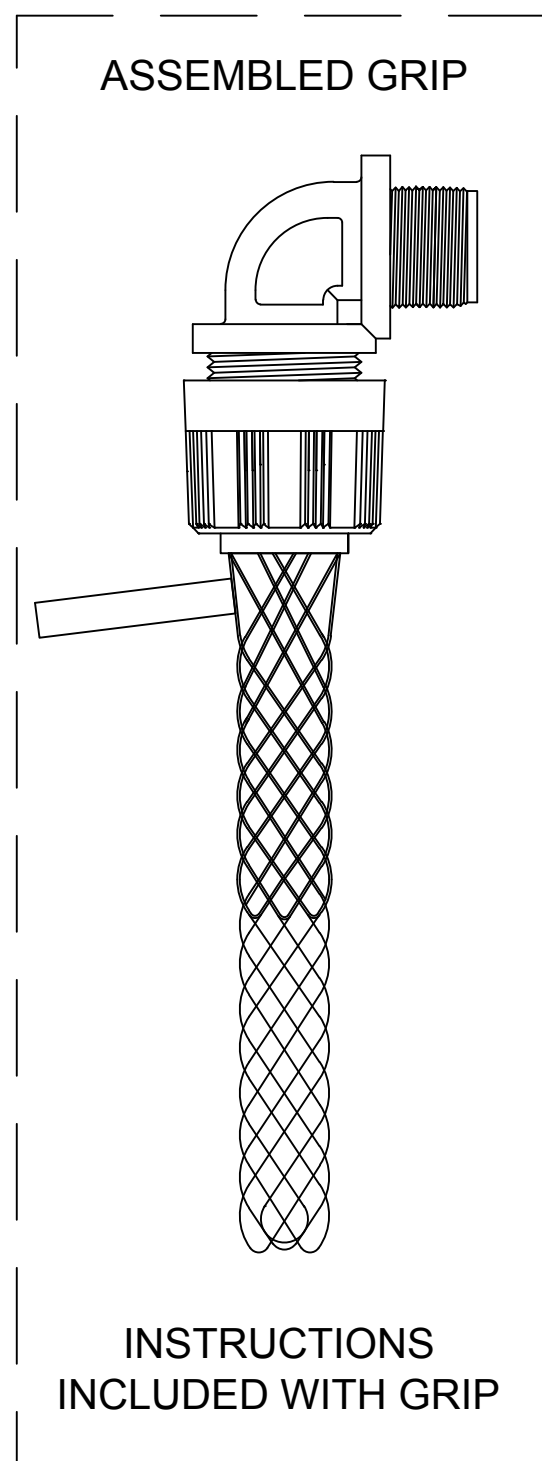


CATALOG NUMBER	MATERIAL NUMBER	CABLE RANGE	LENGTH "M"	N.P.T. FITTING SIZE	FORM SIZE	LENGTH "A" REF.	LENGTH "B" REF.	UL LISTED	CSA APPROVED
5523M	1300990070	.187-.250 / 4.75-6.35	4.50±0.50 / 114.3±12.7	1/2	2	0.563 / 14.30	1.250 / 31.75	NO	YES
5525M	1300990074	.250-.312 / 6.35-7.92	4.50±0.50 / 114.3±12.7						
5527M	1300990078	.312-.375 / 7.92-9.53	4.50±0.50 / 114.3±12.7						
5529M	1300990082	.375-.437 / 9.53-11.10	5.50±0.50 / 139.7±12.7						
5531M	1300990086	.437-.500 / 11.10-12.70	6.50±0.50 / 165.1±12.7						
*5533M	1300990089	.500-.562 / 12.70-14.27	6.75±0.50 / 171.5±12.7						
*5535M	1300990091	.562-.625 / 14.27-15.88	6.75±0.50 / 171.5±12.7						
5621M	1300990155	.187-.250 / 4.75-6.35	4.25±0.50 / 108.0±12.7	3/4	3	0.549 / 13.94	1.401 / 35.59	NO	YES
5623M	1300990159	.250-.375 / 6.35-9.53	4.25±0.50 / 108.0±12.7						
5625M	1300990227	.375-.437 / 9.53-11.10	6.00±0.50 / 152.4±12.7						
5537M	1300990094	.437-.562 / 11.10-14.27	6.00±0.50 / 152.4±12.7						
5539M	1300990098	.500-.625 / 12.70-15.88	6.75±0.50 / 171.5±12.7						
5541M	1300990102	.562-.687 / 14.27-17.45	9.00±1.00 / 228.6±25.4						
5543M	1300990106	.625-.750 / 15.88-19.05	9.00±1.00 / 228.6±25.4						
*5545M	1300990109	.687-.812 / 17.45-20.62	9.50±1.00 / 241.3±25.4	1	4	0.813 / 20.65	1.812 / 46.02	NO	YES
5547M	-----	.437-.562 / 11.10-14.27	6.00±0.50 / 152.4±12.7						
5549M	-----	.500-.625 / 12.70-15.88	6.75±0.50 / 171.5±12.7						
5551M	1300990118	.562-.687 / 14.27-17.45	9.00±1.00 / 228.6±25.4						
5553M	1300990121	.625-.750 / 15.88-19.05	9.00±1.00 / 228.6±25.4						
5555M	1300990125	.687-.812 / 17.45-20.62	9.50±1.00 / 241.3±25.4						
5557M	1300990129	.750-.875 / 19.05-22.23	9.50±1.00 / 241.3±25.4						
5559M	-----	.812-.937 / 20.62-23.80	8.75±1.00 / 222.3±25.4						
5561M	1300990136	.875-1.000 / 22.23-25.40	8.75±1.00 / 222.3±25.4						

* CABLE JACKET MAY HAVE TO BE STRIPPED FOR CLEARANCE.



ITEM	DESCRIPTION	MATERIAL
1	WIRE MESH	STAINLESS STEEL
2	INNER RING	STAINLESS STEEL
3	OUTER RING	STAINLESS STEEL
4	GROMMET	NITRILE PVC
5	THREADED BODY	NYLON (GRAY)
6	COMPRESSION NUT	NYLON (GRAY)
7	LABEL	MYLAR

RELEASE SALES DWG EC NO: ICG2014-2088 DRWN: HRUIZ01 2014/09/29 CHKD: HKNEELAN 2014/09/29 APPR: JFMURPHY 2014/11/18	QUALITY SYMBOL ▽=0 ▽C=0	GENERAL TOLERANCES (UNLESS SPECIFIED)		DIMENSION STYLE INCH/MM		SCALE NTS	DESIGN UNITS INCH	THIRD ANGLE PROJECTION		
		4 PLACES	±---	±---	DRAWN BY	DATE	TITLE			
		3 PLACES	±---	±.005	CHECKED BY	DATE	STRAIN RELIEF MAX-LOC METALLIC RIGHT ANGLE MALE			
		2 PLACES	±.13	±.010	APPROVED BY	DATE				
1 PLACE	±.25	±.020	JFMURPHY	2014/11/18	MATERIAL NO. SEE TABLE		DOCUMENT NO. SD-130099-004		SHEET NO. 1 OF 1	
DRAFT WHERE APPLICABLE MUST REMAIN WITHIN DIMENSIONS		THIS DRAWING CONTAINS INFORMATION THAT IS PROPRIETARY TO MOLEX INCORPORATED AND SHOULD NOT BE USED WITHOUT WRITTEN PERMISSION								