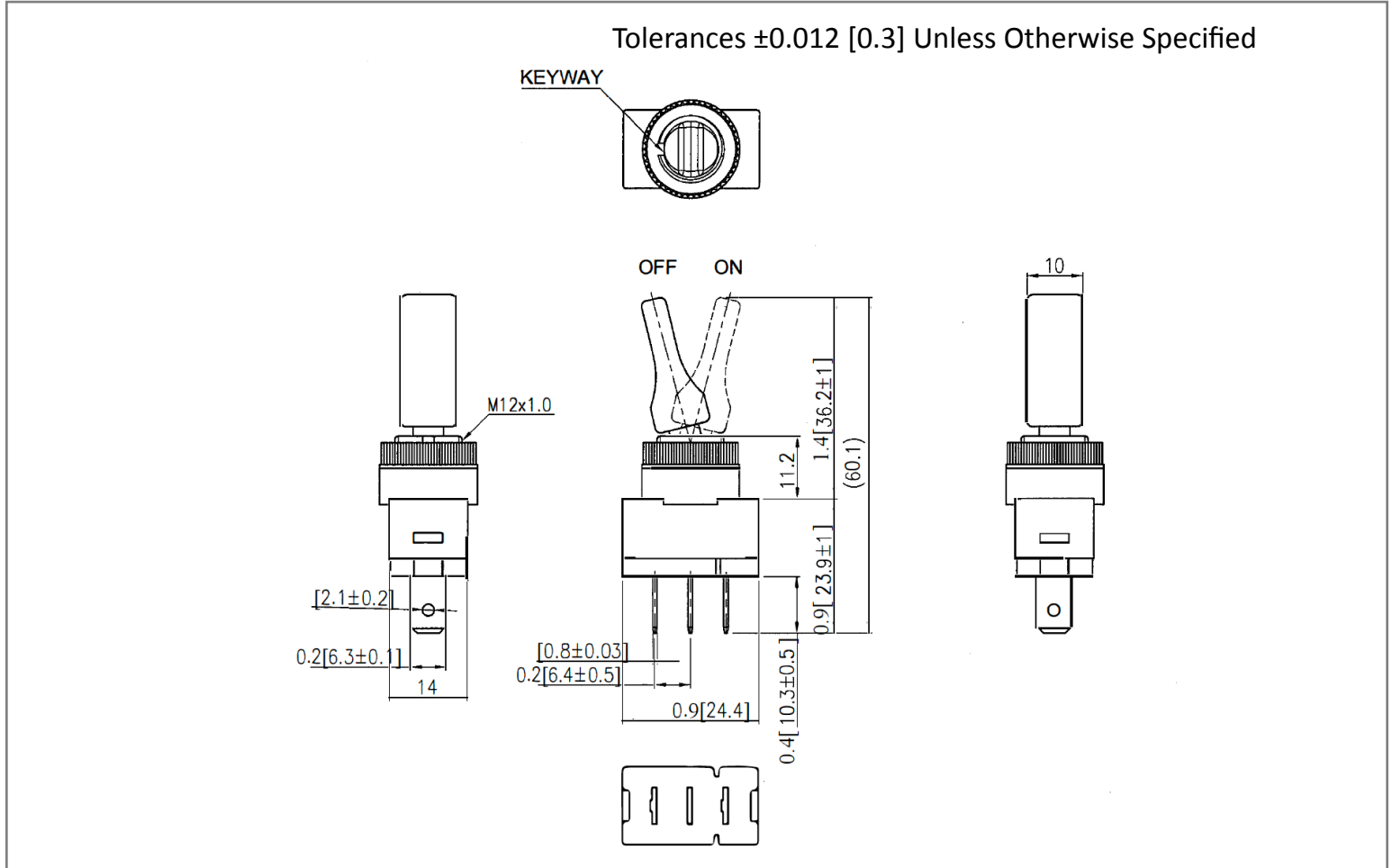
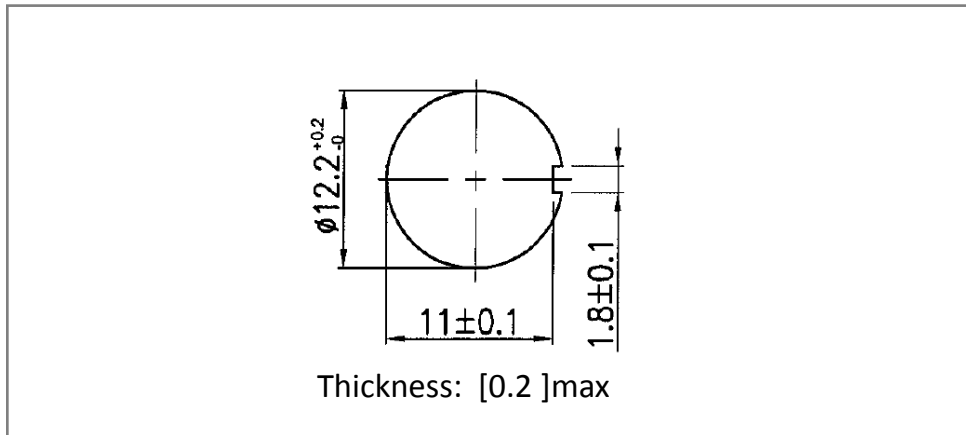


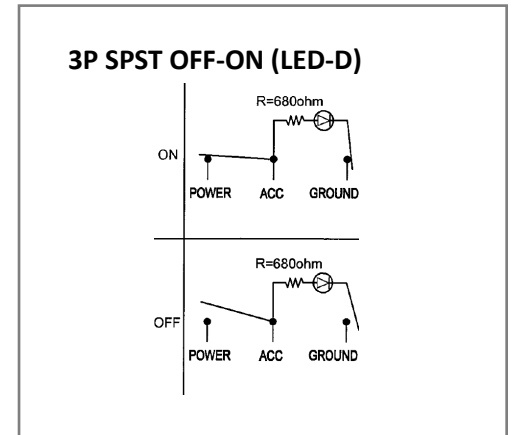
Mechanical Dimensions: Inches [mm]



Mounting Hole



Circuit Diagram



Electrical Specifications

Rating	20A 12V DC
Contact Resistance	50m ohm Max.
Insulation Resistance	DC 500V 100M ohm Min.
Dielectric Strength	AC 1500V 1 minute

Material Specifications

Frame	Black, PC
Base	Black, PBT
Handle	Red, PC
LED	Red (Dependent)
Terminals	Brass alloy

Rev	Date of issue	Revision Notes	Designed	Approved
A	06-03-2019	Initial Drawing	RC	OH