

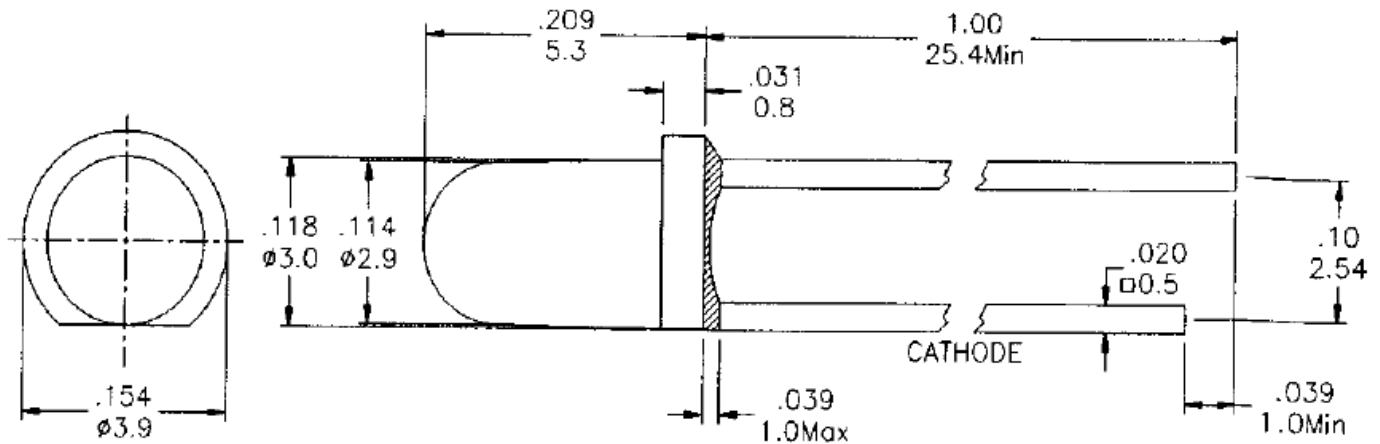


# American Opto Plus LED Corp.

## L314GD

3mm Yellow Green LED Lamp

### PACKAGE DIMENSION



Item	Material
Chip	GaP/GaP
Lens	Green Diffused
Emitted Color	Yellow Green
Viewing Angel	50°

#### Note

1. All dimensions are in millimeter (inches); tolerance is  $\pm 0.25\text{mm}$  (0.01inch)



# American Opto Plus LED Corp.

## L314GD

3mm Yellow Green LED Lamp

### ABSOLUTE MAXIMUM RATINGS

(Ta=25°C)

	Symbol	Max. Ratings	Unit
Power Dissipation	$P_d$	84	mW
Reverse Voltage	$V_R$	5	V
Forward Current	$I_F$	30	mA
Pulse Forward Current (1/10 duty cycle @ 1kHz)	$I_{fp}$	100	mA
Operating Temperature Range	$T_{opr}$	-40~+80	°C
Storage Temperature Range	$T_{stg}$	-40~+100	°C
Soldering Temperature	$T_{sol}$	260°C for 5 sec Max [1.6mm(0.063inch) from body]	

### OPTICAL-ELECTRICAL CHARACTERISTICS

(Ta=25°C)

	Symbol	Test Condition	Min	Typ	Max	Unit
Forward Voltage	$V_F$	$I_F = 20mA$	--	2.2	2.8	V
Peak Wavelength	$\lambda_P$		--	570	--	nm
Viewing angle	$2\theta \frac{1}{2}$		--	50	--	Deg
Luminous Intensity	$I_v$	$I_F = 10mA$	4	12	--	mcd
Reverse Current	$I_R$	$V_R = 5V$	--	--	100	$\mu A$



# American Opto Plus LED Corp.

## L314GD

3mm Yellow Green LED Lamp

### BIN INFORMATION

Symbol	I <sub>V</sub>		V <sub>F</sub>		λ <sub>P</sub>	
Parameter	Luminous Intensity		Forward Voltage		Dominant Wavelength	
Condition	I <sub>F</sub> = 10mA		I <sub>F</sub> = 20mA		I <sub>F</sub> = 20mA	
Unit	mcd		v		nm	
Binning	Grade	Range	Grade	Range	Grade	Range
	BIN 1	4.0-8.0	A1	1.5-1.8	G1	565-567
	BIN 2	8.0-15	A2	1.8-2.1	G2	567-569
	BIN 3	15-22	A3	2.1-2.4	G3	569-571
	BIN 4	22-30	A4	2.4-2.8	G4	571-573

Notes:

1. Tolerance for intensity is ±15%
2. Tolerance for V<sub>f</sub> is ±0.05V
3. Tolerance for wavelength is ±2nm