

Type BLC-110-G

Fuse Block

10 Pole – Regular Auto Blade Type

With 12 Position Grounding Block



www.optifuse.com

(619) 593-5050

Specifications:

Max Current Rating: 25A per Circuit - 150A Max Input

Max Voltage: 32VDC

Fuse Type: Regular Auto Blade (APR series),

Regular Automotive Circuit Breakers (ACBP4-PL and MRCBP4-PL series)

Base: Polycarbonate

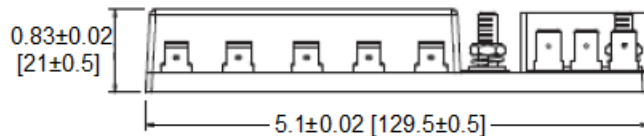
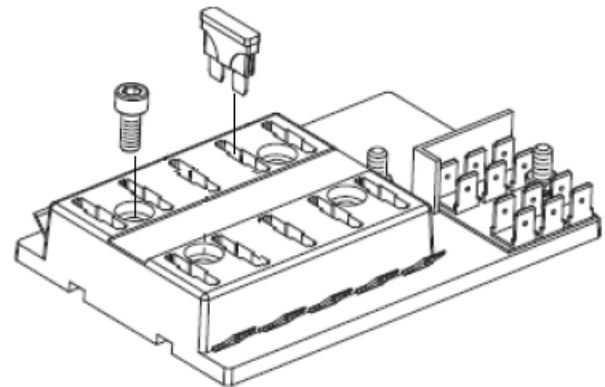
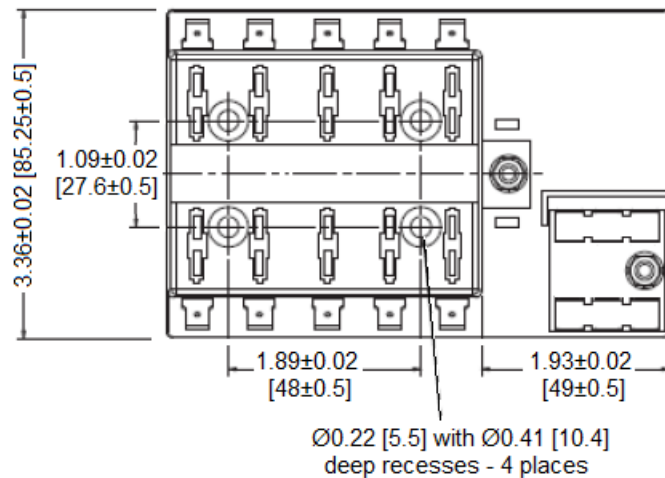
Load-side Connection: 0.250" Quick Connect Terminals - Copper, Tin plated

Line-side Connection: #10-32 stud terminal with hex nut, flat washer, lockwasher (hardware provided)

Mounting: 5.5mm diameter mounting holes for #10 screws (not provided)

Optional Cover available

Mechanical Dimensions: Inches [mm]



Warning:



-Operation beyond the specified maximum ratings or improper use may result in damage and possible electrical arcing and/or flame.

-Avoid contact of device with chemical solvent. Prolonged contact may damage the device performance.