



# 420 MHz Lowpass Filter

**Part Number: AE420L8961**



## Electrical specifications

**Cutoff Frequency (FC):** 420 MHz  
**Passband:** 100-420 MHz  
**Insertion loss @Passband:** 0.6 dB Max.  
**Return loss @Passband:** 14 dB Min.  
**Rejection @ 460 MHz:** 25 dB Min.  
**Rejection @ 465-700 MHz:** 30 dB Min.

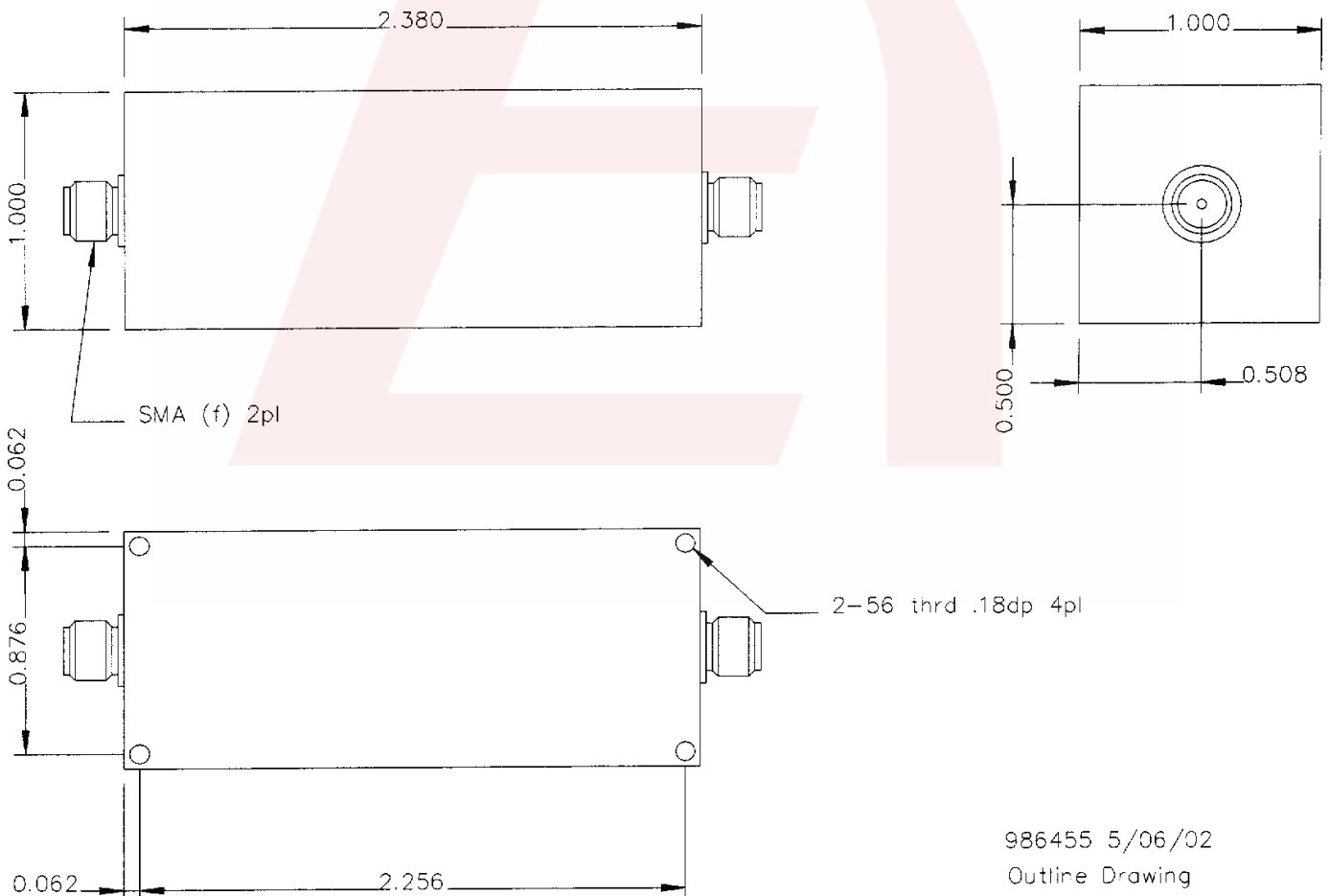
## Mechanical

**Mounting Method:** Threaded Holes  
**Connector Type:** SMA(F)  
**Dimensions:** 2.38 x 1.0 x 1.0 Inches

## Environmental

**Operating Temperature:** -40 to +70° C  
**Storage Temperature:** -40 to +85° C

## Outline Drawing:



986455 5/06/02  
 Outline Drawing  
 Anatech Electronics

DS-L8961-11072019-Rev1



# 420 MHz Lowpass Filter

## Part Number: AE420L8961



### Response Plot:

