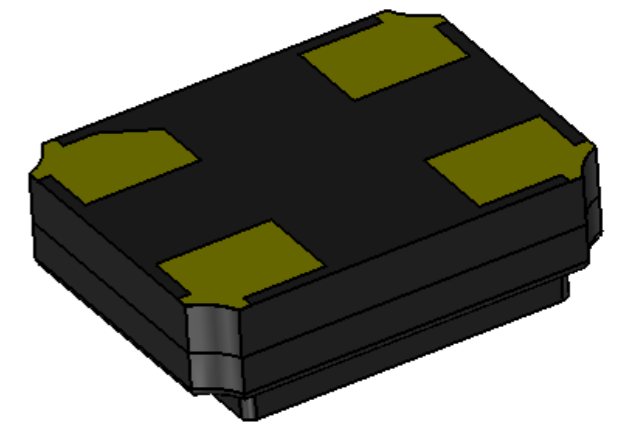
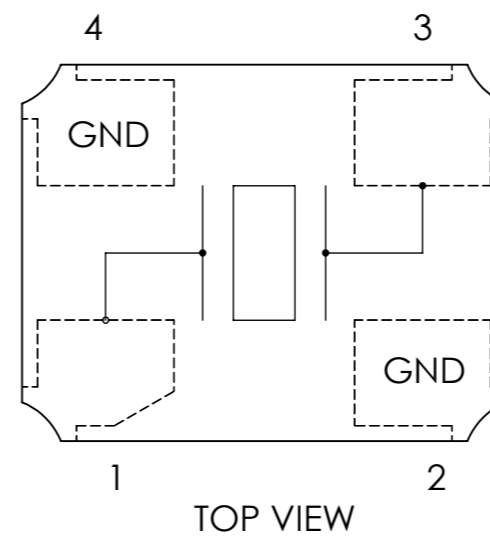
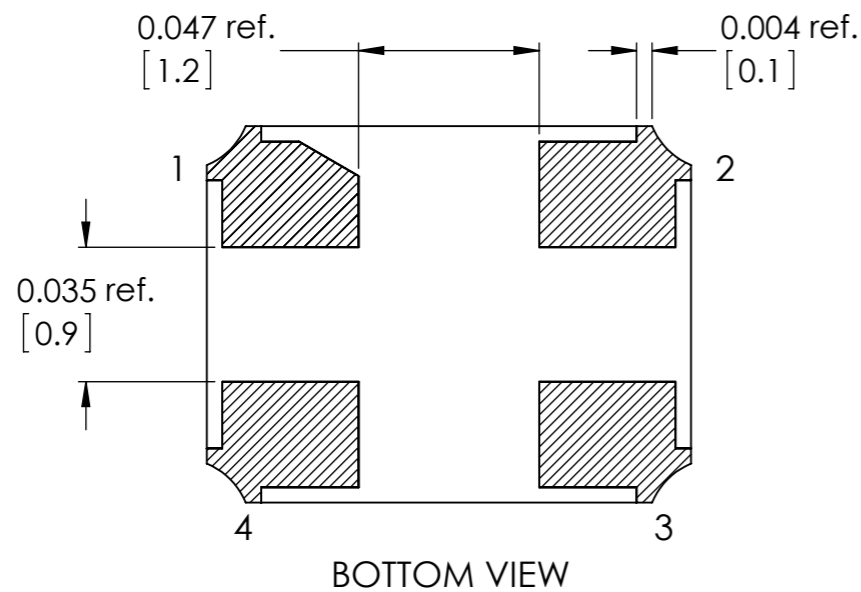
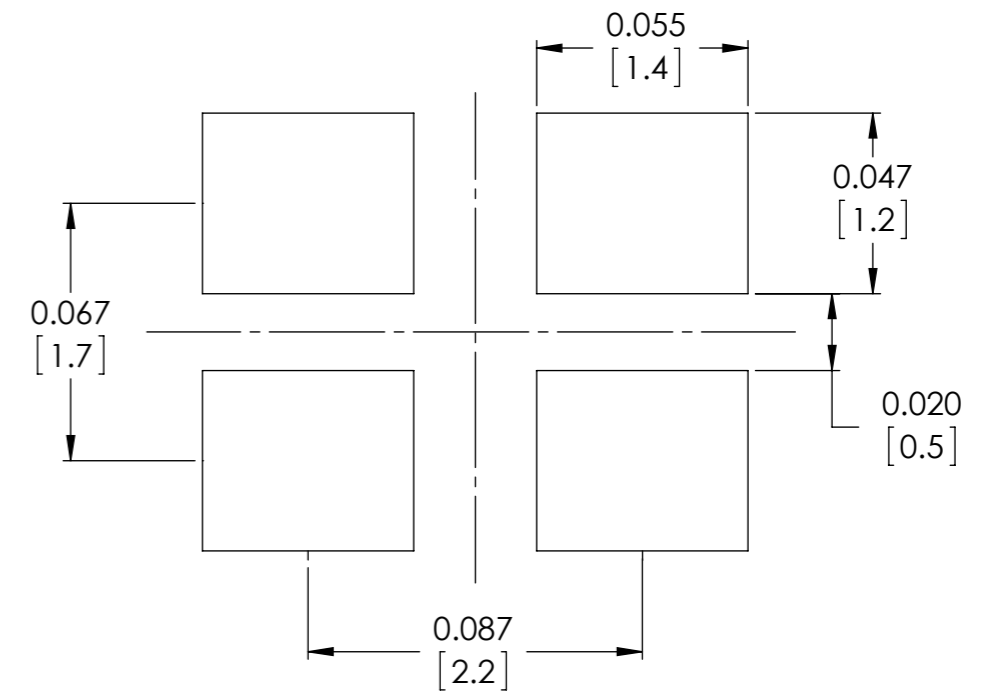



RECOMMENDED LAND PATTERN



**Note:**  
 Due to the availability of raw materials, this part may be manufactured with the chamfer on pin 4. Be advised that this does not affect the electrical characteristics of crystal in any way

UNLESS OTHERWISE SPECIFIED: DIMENSIONS ARE IN INCH(MM) SURFACE FINISH: TOLERANCES: LINEAR: ANGULAR:				FINISH:		DEBUR AND BREAK SHARP EDGES		DO NOT SCALE DRAWING		REVISION -	
DRAWN XXXXXX				SIGNATURE		DATE		 30332 Esperanza, Rancho Santa margarita, California 92688			
CHK'D XXXXXX								TITLE: ABM8G Quartz Crystal			
APPV'D								DWG NO. ABM8G		A3	
MFG								SCALE: 20:1		SHEET 1 OF 1	
Q.A						MATERIAL: Quartz		WEIGHT: 0.00			