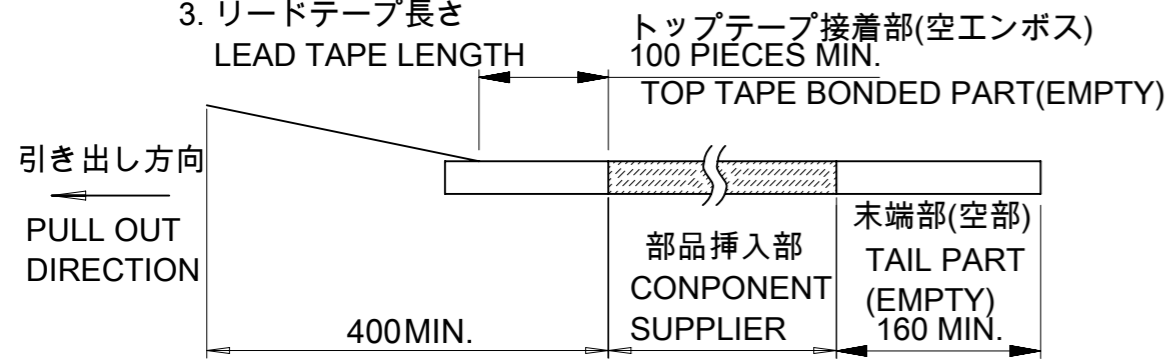


DETAIL E

NOTES

- 製品詳細寸法については、5054951000PSD001を参照下さい。
PLEASE REFER TO 5054951000PSD001 FOR THE DETAILED DIMENSION OF THE CONNECTOR.
- 梱包数量：900個
NUMBER OF CONNECTIONS：900 PIECES/REEL.
- リードテープ長さ
LEAD TAPE LENGTH



4. 材料

キャリアテープ：ポリスチレン(PS)
 トップテープ：ポリエステル、ポリエチレン、ポリエチレンテレフタレート
 リール：ポリスチレン
 MATERIAL
 CARRIER TAPE：POLYSTYRENE(PS)
 TOP TAPE：POLYESTER, POLYETHYLENE, POLYETHYLENE TEREPHTHALATE
 REEL：POLYSTYRENE

5. オーダー番号と色、極数の関係
 RELATION ORDER NUMBER AND COLOR, CKT.

505495**7*

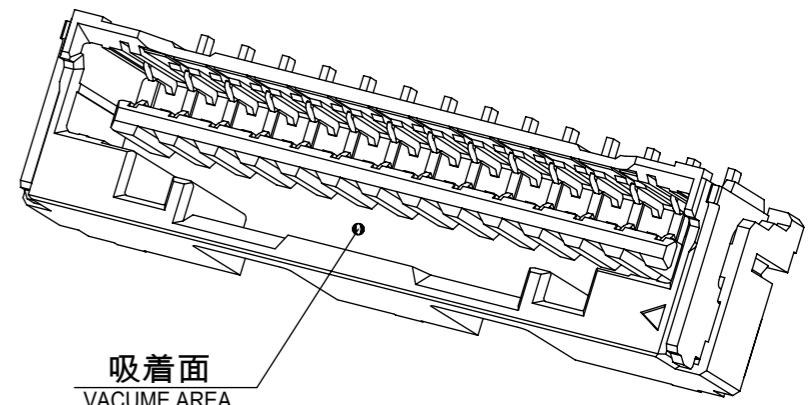
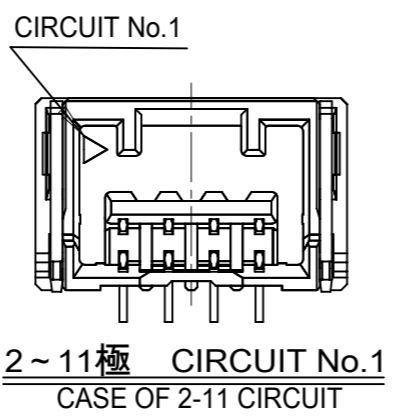
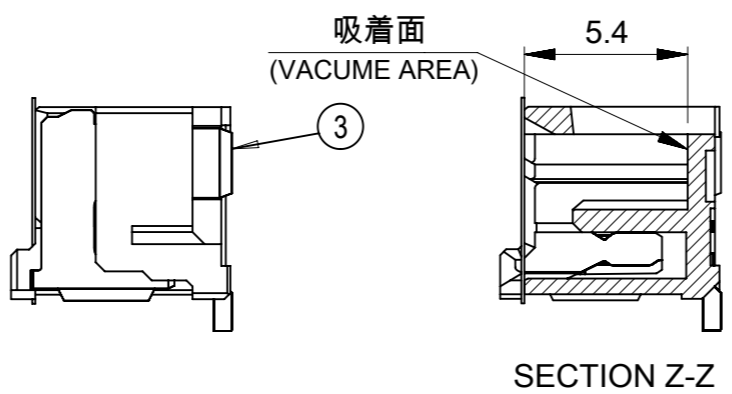
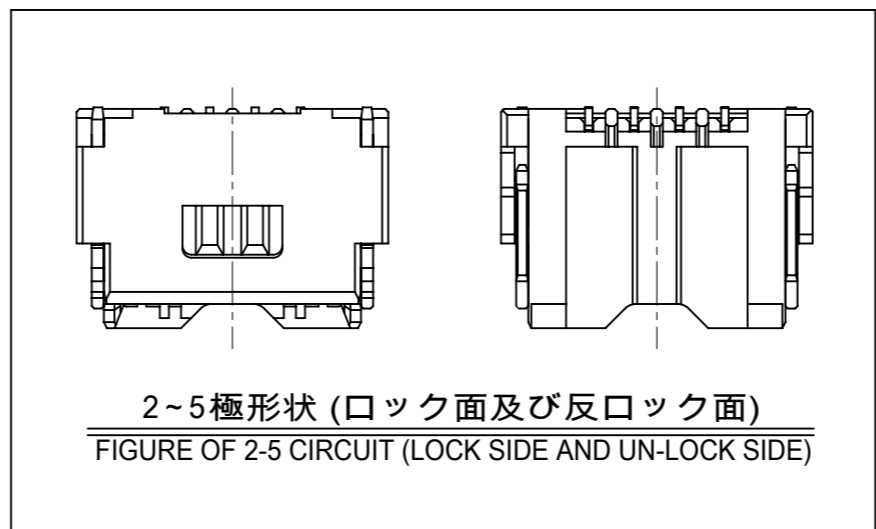
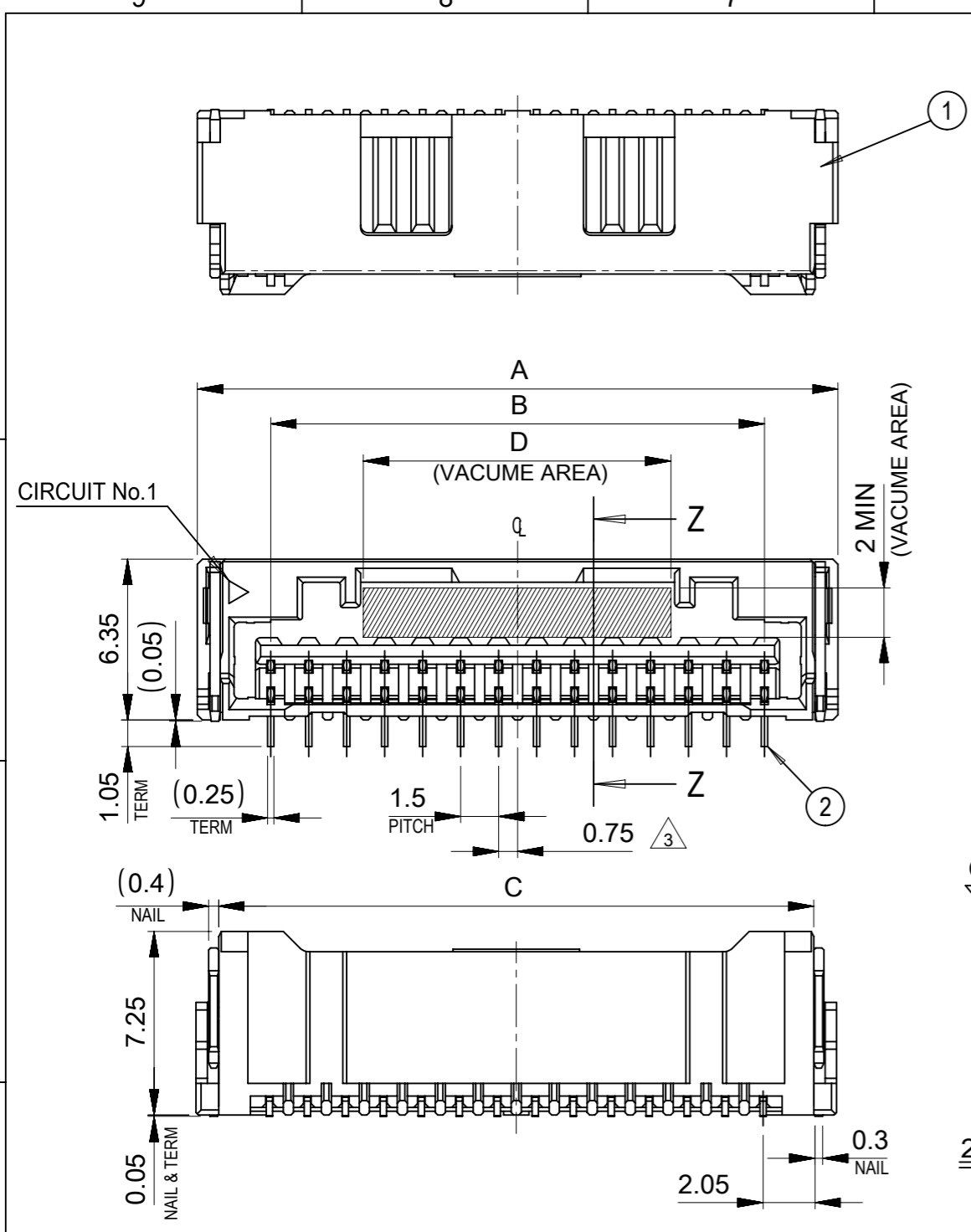
極数	色	No.	COLOR
CIRCUIT SIZE	COLOR	0	ページユ BEIGE

- ELV及びRoHS適合品
ELV AND RoHS COMPLIANT
- 本製品はシリカゲル乾燥剤入り、防湿梱包仕様である。
INCLUDING SILICAGEL TAPING PACKAGE.

45.5	20.2	44	505495157*	15
45.5	20.2	44	147*	14
45.5	20.2	44	137*	13
45.5	20.2	44	127*	12
45.5	20.2	44	117*	11
45.5	20.2	44	107*	10
33.5	14.2	32	097*	9
33.5	14.2	32	087*	8
33.5	14.2	32	077*	7
33.5	14.2	32	067*	6
25.5	11.5	24	057*	5
25.5	11.5	24	047*	4
25.5	11.5	24	037*	3
25.5	11.5	24	505495027*	2
C	B	エンボステープ幅 A WIDTH OF TAPE	△5 製品番号 MATERIAL NO.	極数 CKT. NO

THIS DRAWING CONTAINS INFORMATION THAT IS PROPRIETARY TO MOLEX ELECTRONIC TECHNOLOGIES, LLC AND SHOULD NOT BE USED WITHOUT WRITTEN PERMISSION

REDRAWN 2016/11/14 DRWN: TAKAIKE 2016/11/15 CHK'D: KOMURAKAMI 2016/11/15 APPR: TKANEKO	GENERAL TOLERANCES (UNLESS SPECIFIED)		DIMENSION UNITS	SCALE	<p>CLIK-MATE 1.5 W/B SINGLE ROW ST SMT EMBOSSSED TAPE PKG</p>
	ANGULAR TOL ± 1.0 °		MM	NTS	
	4 PLACES ± 0.2	3 PLACES ± 0.2	DRWN BY	DATE	
	2 PLACES ± 0.3	1 PLACE ± 0.3	YUCHIKAWA	2016/11/02	
0 PLACES ± 0.3		CHK'D BY	DATE	PRODUCT CUSTOMER DRAWING	
		TKANEKO	2016/11/09	SERIES	MATERIAL NUMBER
DRAFT WHERE APPLICABLE MUST REMAIN WITHIN DIMENSIONS		DRIVING SIZE	THIRD ANGLE PROJECTION	505495	SEE CHART
B	REV	A3		CUSTOMER	
				5054950000	GENERAL
				DOCUMENT NUMBER	DOC TYPE
				5054950000	PSD
				DOC PART	SHEET NUMBER
				001	1 OF 1



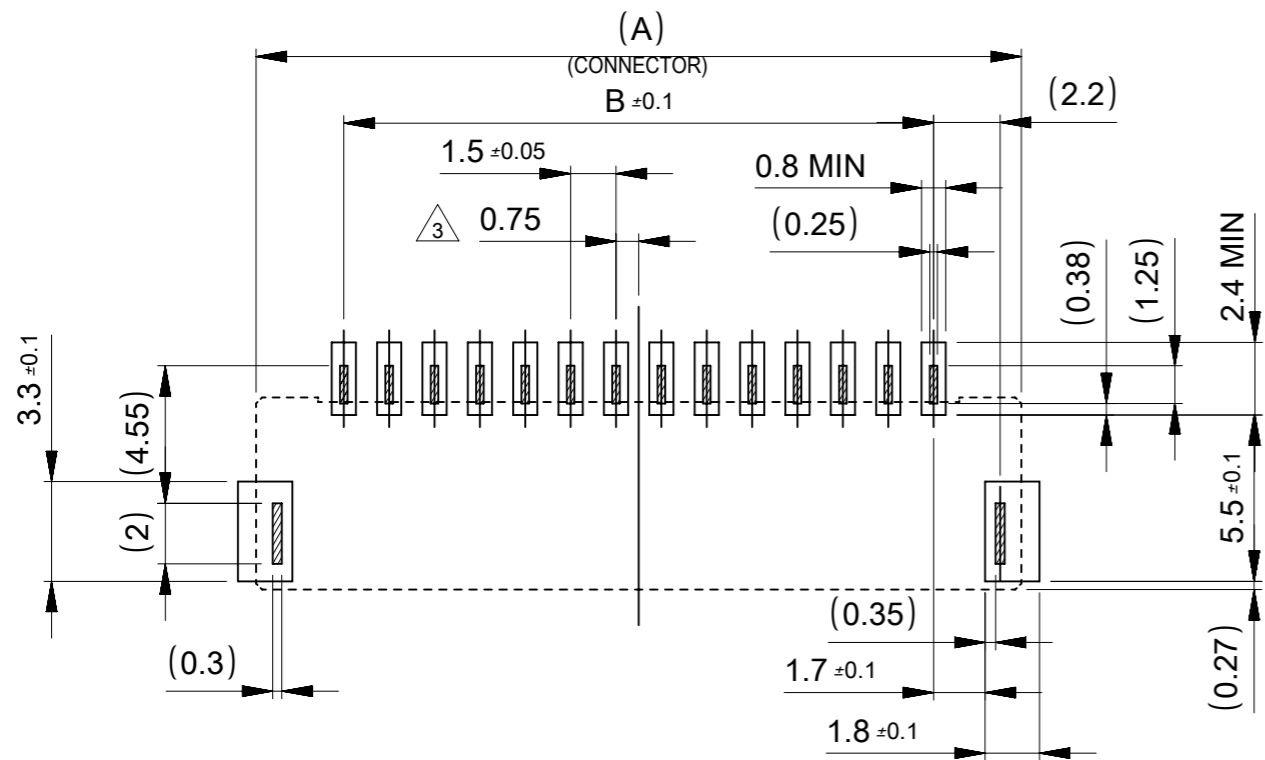
12.1	25	21	26.8	505495157*	15
12.1	23.5	19.5	25.3	505495147*	14
12.1	22	18	23.8	505495137*	13
12.1	20.5	16.5	22.3	505495127*	12
12.1	19	15	20.8	505495117*	11
10.1	17.5	13.5	19.3	505495107*	10
10.1	16	12	17.8	505495097*	9
8.6	14.5	10.5	16.3	505495087*	8
7.1	13	9	14.8	505495077*	7
6.2	11.5	7.5	13.3	505495067*	6
3.2	10	6	11.8	505495057*	5
2.9	8.5	4.5	10.3	505495047*	4
2.15	7	3	8.8	505495037*	3
2	5.5	1.5	7.3	505495027*	2
D	C	B	A	EMBOSSED TAPE PACKAGE 注文番号 ORDER No.	CIRCUIT No.

No.	部品 PART	材料 MATERIAL
①	ハウジング HOUSING	ポリアミド(PA) UL94V-0 POLYAMIDE(PA) RESIN UL94V-0
②	ターミナル TERMINAL	銅合金 COPPER ALLOY
		コンタクト部 金めっき : 0.2 micro-meter MIN. CONTACT AREA GOLD
		テール部 金めっき : 0.05 micro-meter MIN. TAIL AREA GOLD
③	ネイル NAIL	銅合金 COPPER ALLOY
		錫めっき : 1.0 micro-meter MIN. MATTE TIN
		ニッケルめっき(下地) : 1.0 micro-meter MIN. NICKEL (UNDER PLATING)

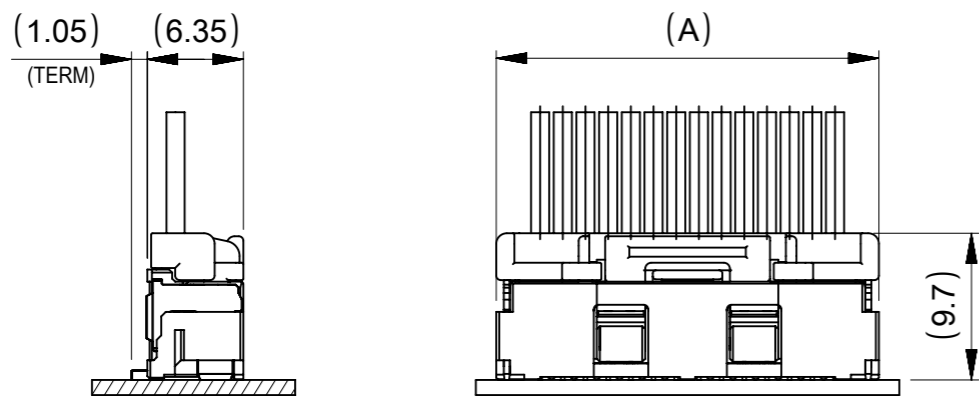
RELEASE STATUS P1 RELEASE DATE 15.11.2016 05:07:38

THIS DRAWING CONTAINS INFORMATION THAT IS PROPRIETARY TO MOLEX ELECTRONIC TECHNOLOGIES, LLC AND SHOULD NOT BE USED WITHOUT WRITTEN PERMISSION

REDRAWN EC NO: 110246 DRWN: TAKAIKE CHK'D: KOMURAKAMI APPR: TKANEKO	2016/11/14	GENERAL TOLERANCES (UNLESS SPECIFIED)	DIMENSION UNITS	SCALE	 CLIK-MATE 1.5 W/B SINGLE ROW ST SMT PLUG ASSY
	2016/11/15	ANGULAR TOL ± 3.0 °	MM	4:1	
	2016/11/15	4 PLACES ±	DRWN BY	DATE	
		3 PLACES ±	RWATANABE01	2016/11/07	
		2 PLACES ± 0.2	CHK'D BY	DATE	
	1 PLACE ± 0.2	KOMURAKAMI	2016/11/08		
	0 PLACES ± 0.2	APPR BY	DATE		
		TKANEKO	2016/11/09		
		DRAFT WHERE APPLICABLE MUST REMAIN WITHIN DIMENSIONS	DRAWING SIZE	THIRD ANGLE PROJECTION	SERIES 505495 MATERIAL NUMBER CUSTOMER GENERAL
			A3		DOCUMENT NUMBER 5054951000 DOC TYPE PSD DOC PART 001 SHEET NUMBER 1 OF 2



基板パターンレイアウト (参考)
RECOMMENDED P.C.B PATTERN LAYOUT (REF.)



嵌合図
MATED CONNECTORES
SCALE 2:1

NOTES

- 嵌合相手：502578シリーズ
MATE WITH : 502578 SERIES
- 端子テール部及びネイルの平坦度：0.1 MAX.
TAIL AND NAIL COPLANARITY TO BE 0.1 MAX.
- △3 極数 / 2 = 偶数に適用
APPLY FOR CIRCUIT SIZE / 2 = EVEN
- 端子テール部及びネイルに錫めっきを使用している為、
外観に摺動痕が付く場合があります。
THE WOUND OF FRICTION MIGHT ADHERE TO EXTERNALS
BECAUSE THE TIN PLATING IS USED FOR THE TAIL AND NAIL.
- オーダー番号と色、極数の関係
RELATION ORDER NUMBER AND COLOR, CKT.

505495**7*

極数 CIRCUIT SIZE	色 COLOR	No.	COLOR
		0	ページユ BEIGE

- ELV及びRoHS適合品
ELV AND RoHS COMPLIANT

THIS DRAWING CONTAINS INFORMATION THAT IS PROPRIETARY TO MOLEX ELECTRONIC TECHNOLOGIES, LLC AND SHOULD NOT BE USED WITHOUT WRITTEN PERMISSION

REDRAWN EC NO: 110246 DRWN: TAKAIKE CHK'D: KOMURAKAMI APPR: TKANEKO	2016/11/14	GENERAL TOLERANCES (UNLESS SPECIFIED)	DIMENSION UNITS	SCALE		
	2016/11/15		MM	4:1		
	2016/11/15		ANGULAR TOL ± 3.0 °	DRWN BY		DATE
			4 PLACES ±	RWATANABE01		2016/11/07
	3 PLACES ±	CHK'D BY	DATE	CLIK-MATE 1.5 W/B SINGLE ROW ST SMT PLUG ASSY		
	2 PLACES ± 0.2	KOMURAKAMI	2016/11/08	PRODUCT CUSTOMER DRAWING		
	1 PLACE ± 0.2	APPR BY	DATE	SERIES	MATERIAL NUMBER	
	0 PLACES ± 0.2	TKANEKO	2016/11/09	505495	5054951000	
	DRAFT WHERE APPLICABLE MUST REMAIN WITHIN DIMENSIONS	DRAWING SIZE	THIRD ANGLE PROJECTION	CUSTOMER	GENERAL	
		A3		DOCUMENT NUMBER	DOC TYPE	
				5054951000	PSD	
				DOC PART	SHEET NUMBER	
				001	2 OF 2	