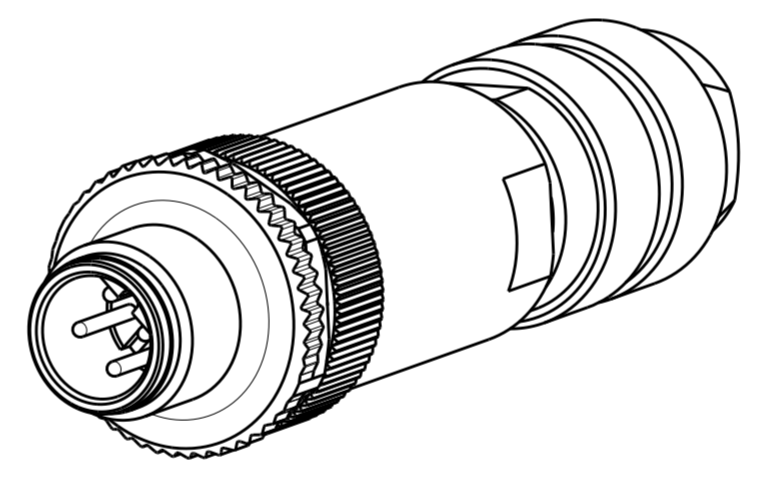
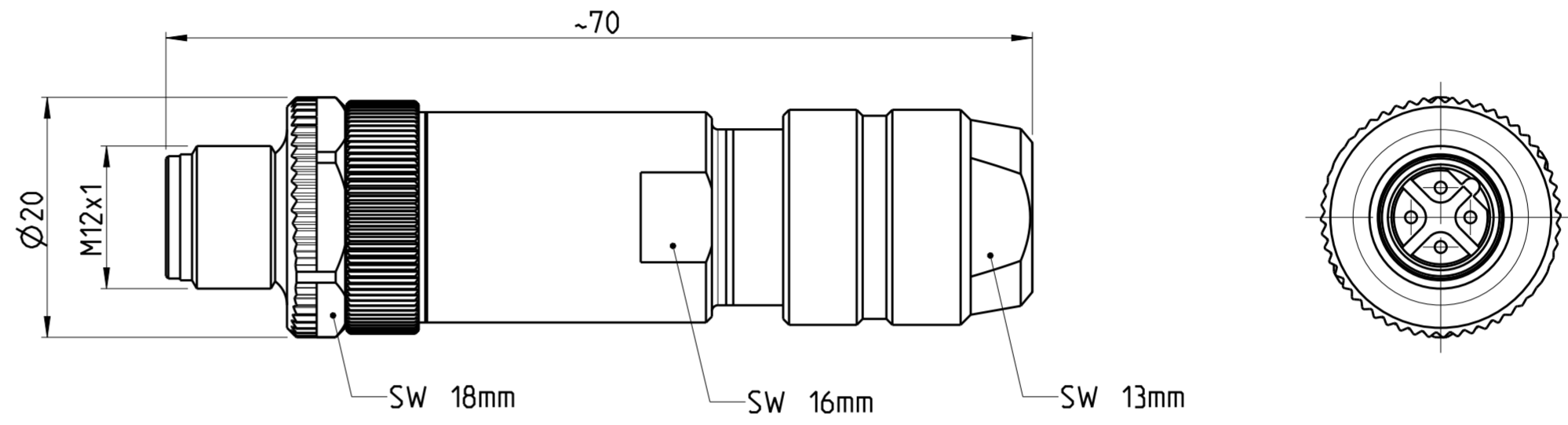


P	LTR	REVISIONS ÄNDERUNGEN DESCRIPTION BESCHREIBUNG	DATE	DWN	APVD
	A2	DESCRIPTION CORRECTED FROM SOLDER TO SCREW TERMINAL IN TITLE BLOCK	13NOV2014	CR	JK

1 MATERIAL: ITEM NO. 1: HOUSING - ZINC DIECASTING, NICKEL PLATED
 ITEM NO. 2: CONTACT BODY - PA
 ITEM NO. 3: CONTACT - CuZn (brass)
 CONTACT FINISH - Au (gold)

- 2 ALL DIMENSIONS ARE FOR NOMINAL REFERENCE ONLY UNLESS OTHERWISE STATED
- 3 MEASUREMENT REFERENCE ONLY
- 4 PACKAGING: 1 PIECE IN A BAG

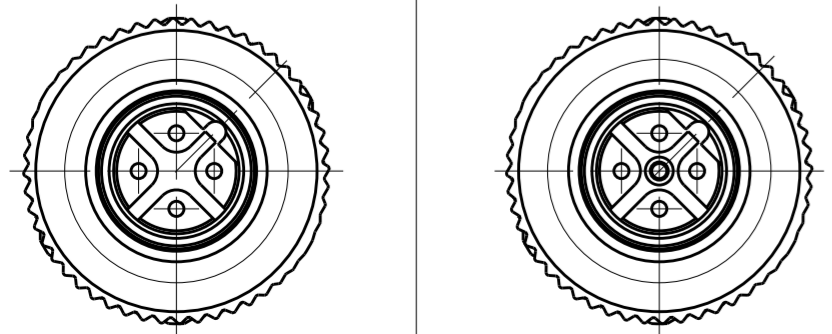


TECHNICAL DATA	3-2271113-2	4-2271113-2
RATED VOLTAGE	250V	125V
RATED IMPULSE VOLTAGE	2500V	1500V
POLLUTION DEGREE	3	3
OVERVOLTAGE CATEGORY	II	II
MATERIAL GROUP	III	III
RATED CURRENT	4A	4A
VOLUME RESISTIVITY	≤ 3mΩ	≤ 3mΩ
DEGREE OF PROTECTION	IP67	IP67
UPPER TEMPERATURE	+85 °C	+85 °C
LOWER TEMPERATURE	-40 °C	-40 °C

PIN ARRANGEMENT

B-CODING

3-2271113-2 4-2271113-2



3-2 AS SHOWN WIE GEZEICHNET

5-8	18 / 0.75mm ²	⚠	5	4-2271113-2
5-8	18 / 0.75mm ²	⚠	4	3-2271113-2
CABLE FEED-THROUGH mm	WIRES AWG / mm ²	MATERIAL	NUMBER OF POLES	TE-PART-NO.

DIESE ZEICHNUNG IST EIN KONTROLLIERTES DOKUMENT. BEMASSUNGEN UND TOLERANZEN GEMAESS GPS (ISO STANDARDS). THIS DRAWING IS A CONTROLLED DOCUMENT. DIMENSIONING AND TOLERANCING PER GPS (ISO STANDARDS).

DIMENSIONS: MASSE/MAEßEN: (MM)	TOLERANCES UNLESS OTHERWISE SPECIFIED: ALLGEMEINTOLERANZEN	DWN YASHKUMAR 17MAY2014	TE Connectivity
	0 PLC ±	CHK M.STRELOW 17MAY2014	
	1 PLC ±	APVD C.SCHREITLINGER 17MAY2014	
	2 PLC ±	NAME	
MATERIAL	ANGLES/WINKEL ±	FINISH/OBERFLÄCHE/FARBE	M12 MALE STRAIGHT, FIELD INSTALLABLE SHIELDED CONNECTOR, B-CODING SCREW TERMINALS
			SIZE A2 CAGE CODE 00779 DRAWING NO. C-2271113 RESTRICTED TO NUR FÜR -
			Customer Drawing /KUNDENZEICHNUNG SCALE MASSSTAB 2:1 SHEET BLATT 1 OF 1 REV A2

SIZE ISO 14405 ⓔ