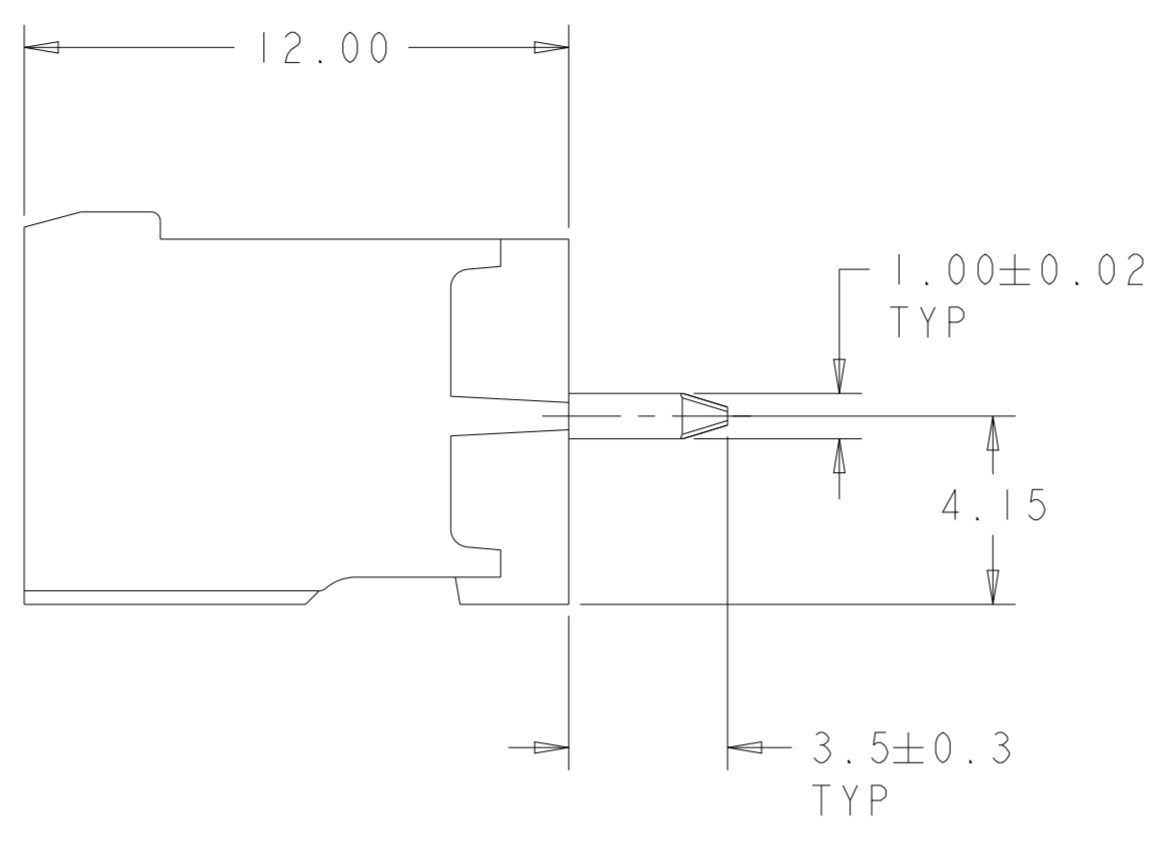
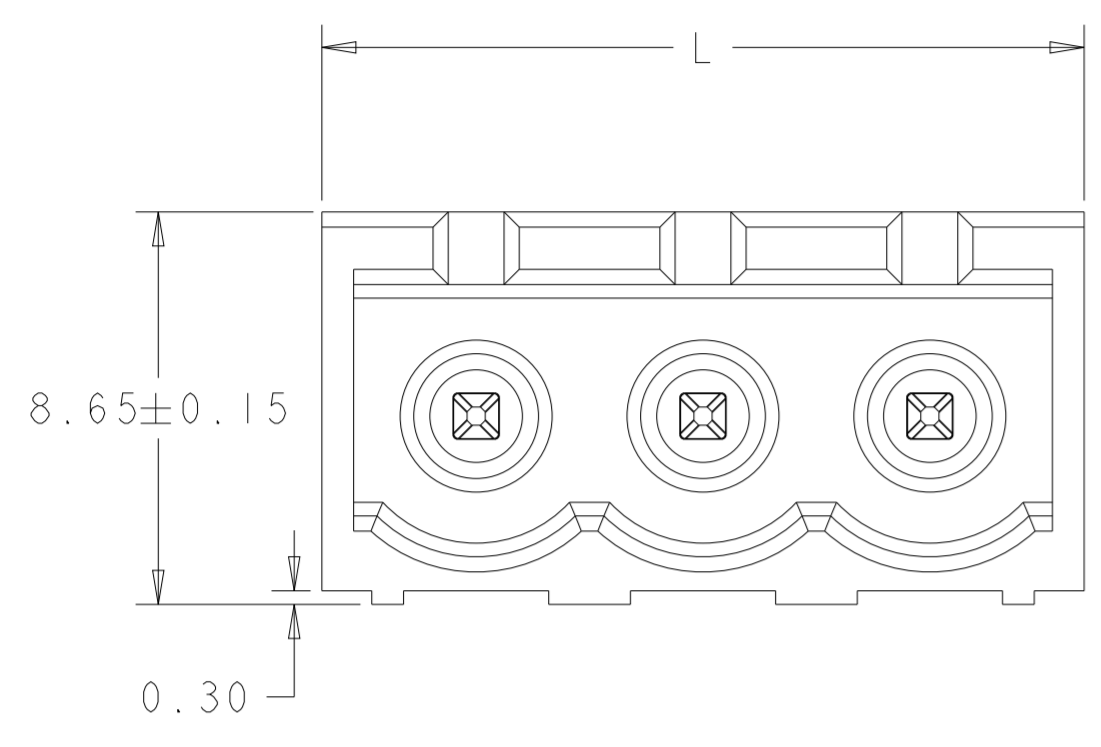
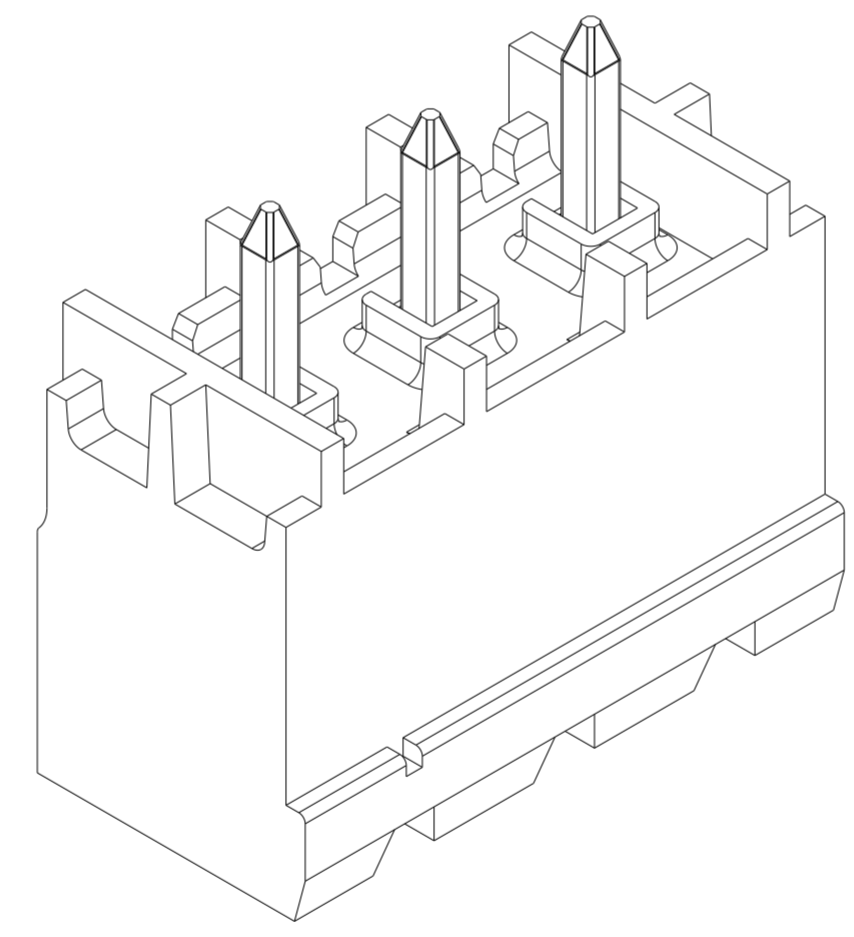
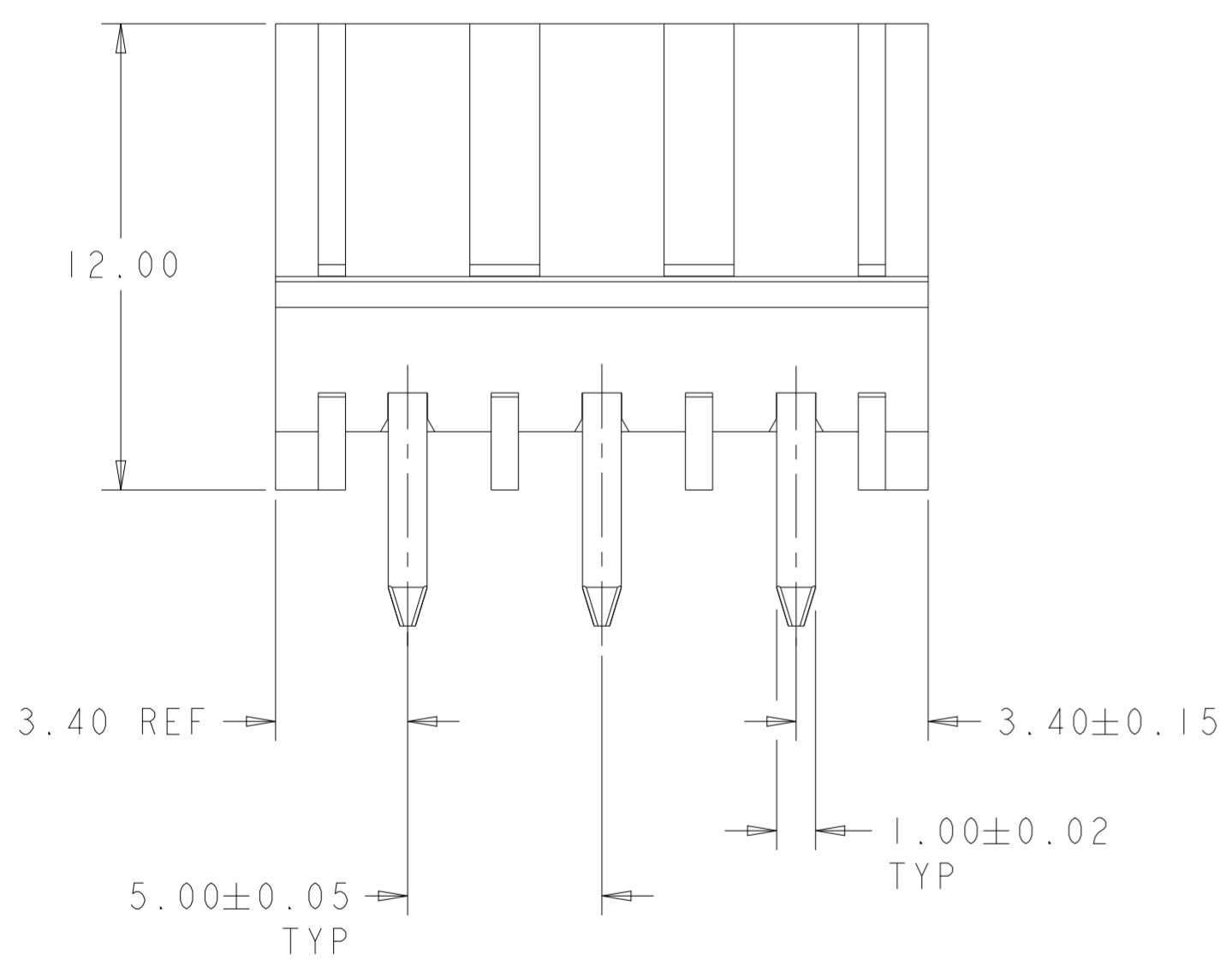


REVISIONS				
P	LTR	DESCRIPTION	DATE	APVD
A3		PN 2-1776146-8 RELEASED TO PRODUCTION	25NOV2019	RK PS
A4		PARTS MARKED OBSOLETE	05JUL2021	SB SS

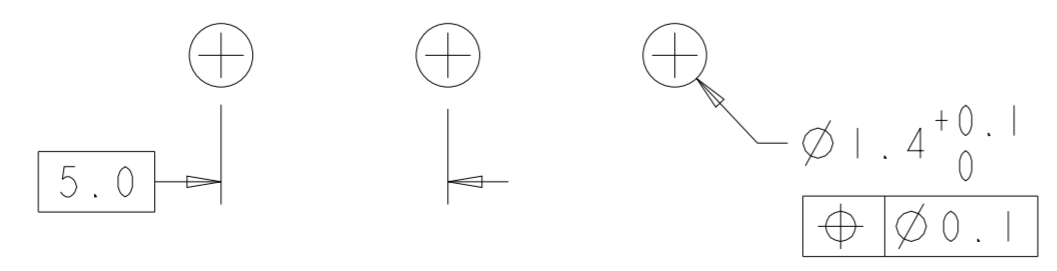


- MATERIALS & FINISH  
HOUSING : HIGH TEMPERATURE POLYAMIDE, UL 94V-0 RATED, COLOR: BLACK  
CONTACT : COPPER ALLOY, TIN PLATED
- MECHANICAL  
MIN. PC BOARD HOLES DIAMETER : 1.4 mm.  
MAX. PC BOARD THICKNESS : 2.4 mm.
- ELECTRICAL  
WIRE RANGE : 12 - 30 AWG  
MAX. VOLTAGE : 300 V  
MAX CURRENT : 15 A  
CONTACT RESISTANCE : <15 m Ohm  
INSULATION RESISTANCE : >1000 M Ohm (500V DC)
- OPERATING TEMPERATURE RANGE: -40°C TO +105°C
- TOLERANCE NOT CUMULATIVE.
- RECOGNIZED UNDER THE COMPONENT PROGRAM OF UNDERWRITERS LABORATORIES INC. FILE NO E60677.

- △7 △8 TAPE AND REEL PACKAGING
- △8 OBSOLETE



△7 △8	SEE FIGURE C	31.8	6	-2-1776146-8
△7 △8	SEE FIGURE B	21.8	4	-2-1776146-7
△7 △8	SEE FIGURE A	16.8	3	-2-1776146-6
		61.8	12	1-1776146-2
		56.8	11	1-1776146-1
		51.8	10	1-1776146-0
		46.8	9	1776146-9
		41.8	8	1776146-8
		36.8	7	1776146-7
		31.8	6	1776146-6
		26.8	5	1776146-5
		21.8	4	1776146-4
		16.8	3	1776146-3
		11.8	2	1776146-2
NOTES/COMMENTS		L	NO OF POSN	PART NUMBER



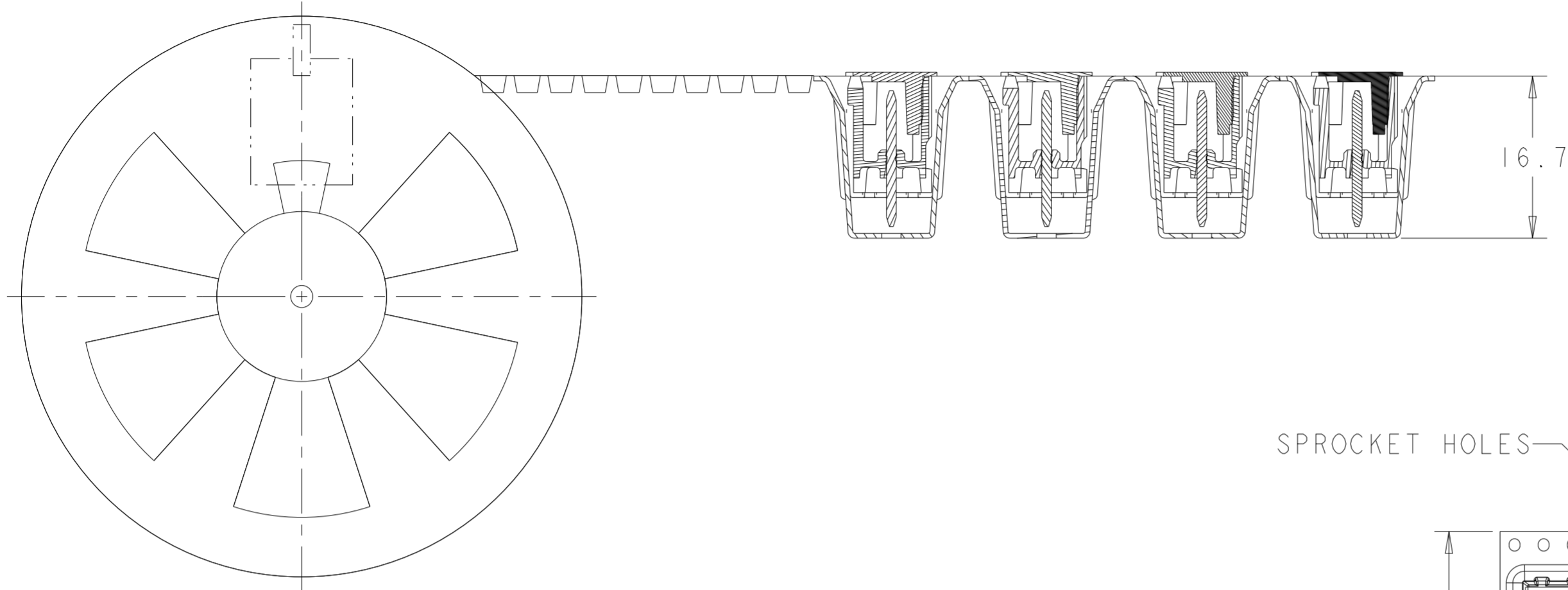
RECOMMENDED PC BOARD LAYOUT

THIS DRAWING IS A CONTROLLED DOCUMENT.

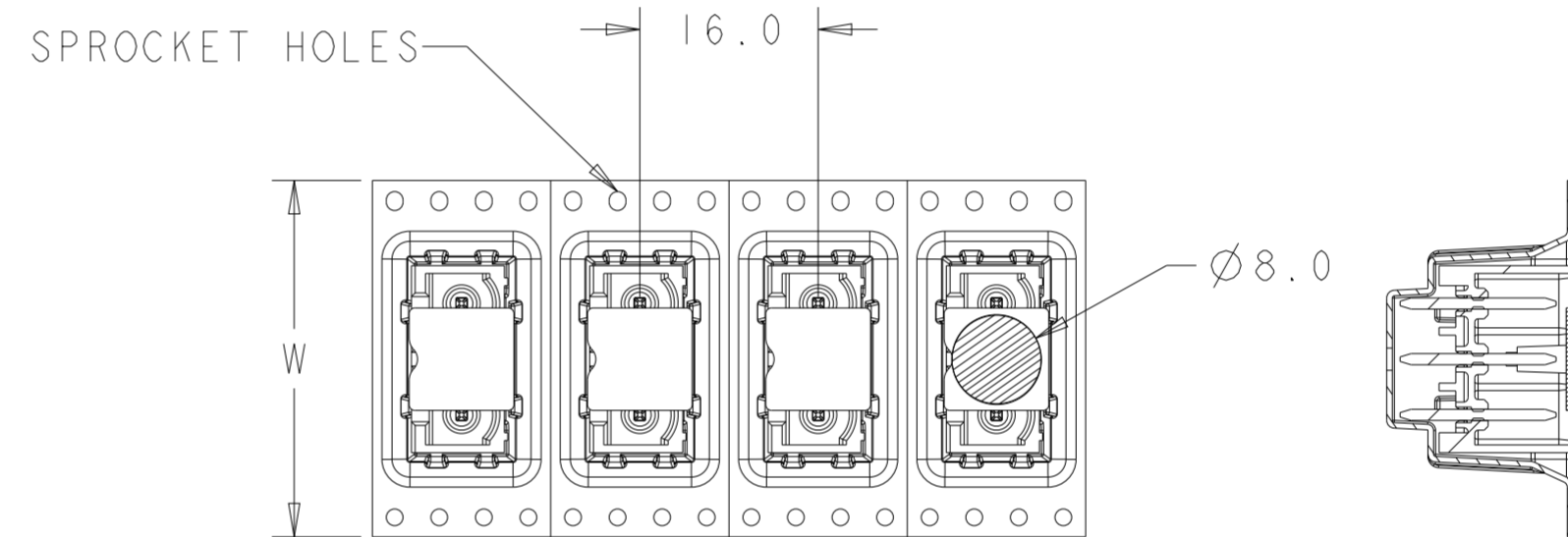
DIMENSIONS: mm	TOLERANCES UNLESS OTHERWISE SPECIFIED: 0 PLC ± 1 PLC ±0.5 2 PLC ±0.25 3 PLC ± 4 PLC ± ANGLES ± FINISH	DWN S. WELDON 06 JUN 2005 CHK C. RICHARD 06 JUN 2005 APVD C. RICHARD 06 JUN 2005	NAME TERMINAL BLOCK HEADER ASSEMBLY 180 DEGREE, CLOSED ENDS, 5.00mm PITCH 5.00mm PITC
MATERIAL SEE NOTES	SEE NOTES	PRODUCT SPEC - APPLICATION SPEC - WEIGHT -	SIZE A2 CAGE CODE 00779 DRAWING NO C-1776146 RESTRICTED TO
CUSTOMER DRAWING		SCALE 6:1	SHEET 1 OF 2 REV A4

TE Connectivity

P	LTR	DESCRIPTION	DATE	DWN	APVD
-		SEE SHEET 1	-	-	-



FOR TAPE AND REEL PARTS.



6	56.0
4	44.0
3	32.0
NUMBER POS	DIM W

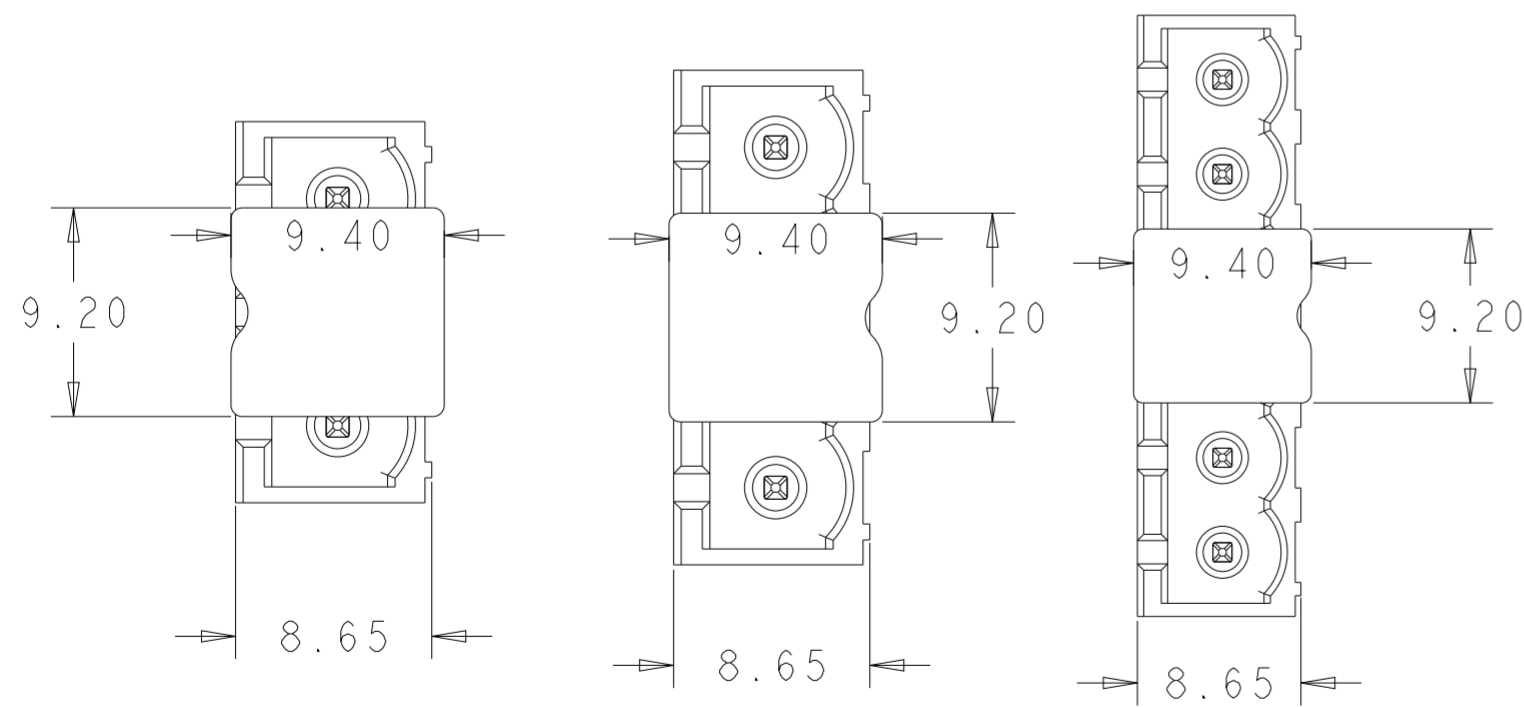


FIGURE A

FIGURE B

FIGURE C

THIS DRAWING IS A CONTROLLED DOCUMENT.		DWN S. WELDON 06 JUN 2005	TE Connectivity	
DIMENSIONS: mm		CHK C. RICHARD 06 JUN 2005		
TOLERANCES UNLESS OTHERWISE SPECIFIED:		APVD C. RICHARD 06 JUN 2005	NAME TERMINAL BLOCK HEADER ASSEMBLY 180 DEGREE, CLOSED ENDS, 5.00mm PITCH 5.00mm PITC	
0 PLC ± 1 PLC ±0.5 2 PLC ±0.25 3 PLC ± 4 PLC ± ANGLES ± FINISH ±		PRODUCT SPEC -	SIZE A2	
MATERIAL SEE NOTES		APPLICATION SPEC -	CAGE CODE 200779	DRAWING NO C-1776146
WEIGHT -		RESTRICTED TO	SCALE 6:1 SHEET 2 OF 2 REV A4	
CUSTOMER DRAWING				