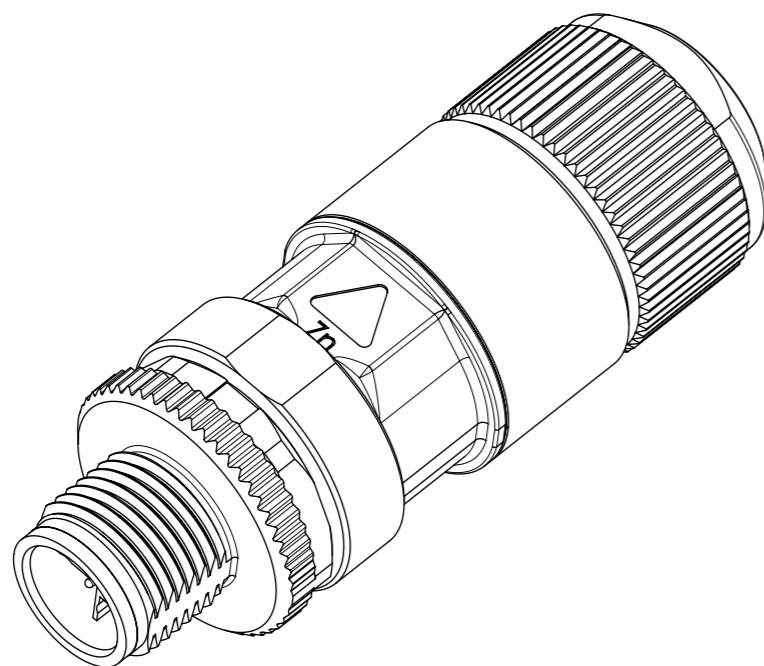


SCALE 5:1

Anschluss / CONNECTION	
Farbcode / COLOUR CODE	PIN Nr. /NO.
W - O	1
O	2
W - G	3
G	4
W - BR	5
BR	6
W - BL	7
BL	8

ENG.-NO: E2AS06-52


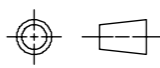


QUALITY SYMBOLS		THIS DRAWING CONTAINS INFORMATION THAT IS PROPRIETARY TO MOLEX INCORPORATED AND SHOULD NOT BE USED WITHOUT WRITTEN PERMISSION													
▽ = 0	EC DESCRIPTION EC NO: 109099 DRWN: FDAFERNER CHK'D: APPR: RSILLER 2016/10/07 2016/10/07	GENERAL TOLERANCES (UNLESS SPECIFIED)		DIMENSION UNITS		SCALE									
▽ = 0		ANGULAR TOL ± 1.0 °		MM		2:1									
▽ = 0		4 PLACES ±		DRWN BY		DATE		FA M12 CAT6A 8P XC MA STR SHLD IDC							
▽ = 0		3 PLACES ±		KGRUEDL		2015/11/25									
▽ = 0		2 PLACES ± 0.05		CHK'D BY		DATE		PRODUCT CUSTOMER DRAWING							
▽ = 0		1 PLACE ± 0.3		APPR BY		DATE									
▽ = 0		0 PLACES ± 0.5		CBRUNS		2016/04/07		SERIES		MATERIAL NUMBER		CUSTOMER			
▽ = 0		DRAFT WHERE APPLICABLE MUST REMAIN WITHIN DIMENSIONS		DRAWING SIZE		THIRD ANGLE PROJECTION		120341		1203410806					
▽ = 0		A1		A3				DOCUMENT NUMBER		DOC TYPE		DOC PART		SHEET NUMBER	
								1203410806		PSD		000		1 OF 2	

9	8	7	6	5	4	3	2	1
Technische Daten / TECHNICAL DATA				Elektrische Eigenschaften		ELECTRICAL CHARACTERISTICS		
Steckverbinder-Norm	IEC 61076-2-109		CONNECTOR STANDARD	Isolationswiderstand		≥ 100 MΩ		
Mechanische Eigenschaften			MECHANICAL CHARACTERISTICS	Durchgangswiderstand		≤ 10 mΩ		
Steckkraft	≤ 30 N		INSERTION FORCE	Spannungsfestigkeit		VOLTAGE PROOF		
Lebensdauer	≥ 100		LIFE	Kontakt-Kontakt		≥ 500 V, DC		
Werkstoffe			MATERIALS	Kontakt-Schirm		≥ 500 V, DC		
Steckergehäuse	Zinkdruckguß vernickelt / ZINC DIECAST NICKEL-PLATED Messing vernickelt / BRASS NICKEL-PLATED		CONNECTOR HOUSING	Strombelastbarkeit bei 40°C		0,5 A		
Adernvorsortierung	PA UL94 V0 weiß / WHITE		WIRE PAIR PRESORTING	**Bemessungsspannung		50 V / AC, 60 V / DC		
Kontaktgehäuse	PA UL 94 V0		CONTACT HOUSING	PoE+ gemäß IEEE 802.3at		Geeignet für Power over Ethernet+ ADEQUATE FOR POWER OVER ETHERNET+		
Klemmkäfig	PA UL 94 V0		CLAMP CAGE	Übertragungstechnische Eigenschaften		TRANSMISSION PERFORMANCE		
IDC-Kontakte	Messing / BRASS, MIN. 3...6 µm Sn PLATED		IDC-CONTACTS	10 Gigabit Ethernet gemäß IEEE 802.3an		Geeignet für 10 Gigabit Ethernet ADEQUATE FOR 10 GIGABIT ETHERNET		
Schirmkontakt	Neusilber / GERMAN SILVER		SHIELD CONTACT	Kategorie 6A		ISO / IEC 11801; DIN EN 50173-1		
Oberfläche Kontakte	min. 0.8 µm Au über / on 1.2 µm Ni		CONTACT FINISH	KLASSE EA		ISO / IEC 11801; DIN EN 50173-1		
Dichtungen	NBR		SEALINGS	Kategorie 6A		ANSI / TIA / EIA - 568 - C.2		
Adernanschluss			WIRE CONNECTION	Normen		Standards		
Cu-Leiterdurchmesser	Massiv / SOLID 0,51 - 0,64 mm AWG 24 - AWG 22 / 1 Litze / STRANDED 0,46 - 0,76 mm AWG 27 - AWG 22 / 7 *Litze / STRANDED 0,61 - 0,78 mm AWG 26 - AWG 22 / 19		CU-CONDUCTOR DIAMETER	Anwendungsneutrale Kommunikationskabelanlagen		ANSI / TIA / EIA - 568 - C.2: ISO / IEC 11801; DIN EN 50173-1		
Aderndurchmesser	0,9 - 1,6 mm		INSULATION DIAMETER	IP-Schutzarten		IEC 60529		
Kabeldurchmesser	5,5 - 9,0 mm		CABLE DIAMETER	Zulassung		-		
Dichtungen	NBR		SEALINGS	UL-gelistet		-		
Umweltanforderungen			ENVIRONMENTAL REQUIREMENTS					
Mechanisch			MECHANICAL					
Schocken	490 ms <sup>-2</sup>		SHOCK					
Schwingen sinusförmig (9Hz - 500Hz)	50 ms <sup>-2</sup>		VIBRATION SINUSOIDAL (9Hz - 500 Hz)					
Schutz vor Eindringen			PROTECTION AGAINST INGRESS					
Eindringen von Teilchen / Wasser / Untertauchen	IP 67		PARTICULATE INGRESS WATER / IMMERSION					
Verschmutzungsgrad	3		POLLUTION DEGREE					
Klimatisch und chemisch			CLIMATICAL AND CHEMICAL					
Umgebungstemperatur	-40°C bis / TO +85°C		AMBIENT TEMPERATURE					

\*\* Die Bemessungsspannung basiert auf dem Verschmutzungsgrad 2  
THE RATED VOLTAGE IS BASED ON POLLUTION DEGREE 2

Für alle aufgeführten Standards gelten die aktuellen und publizierten Ausgabestände zum Zeitpunkt der Erstellung des Datenblattes.  
THE VERSIONS OF THE AFOREMENTIONED STANDARDS CURRENT AT THE TIME THE DATA-SHEET WAS CREATED ARE VALID.

QUALITY SYMBOLS	THIS DRAWING CONTAINS INFORMATION THAT IS PROPRIETARY TO MOLEX INCORPORATED AND SHOULD NOT BE USED WITHOUT WRITTEN PERMISSION										
▽ = 0	EC DESCRIPTION EC NO: 109099 DRWN: FDAFERNER CHK'D: REV APPR: RSILLER 2016/10/06 2016/10/07	GENERAL TOLERANCES (UNLESS SPECIFIED)		DIMENSION UNITS	SCALE						
▽ = 0		ANGULAR TOL ± 1.0 °		MM	2:1						
▽ = 0		4 PLACES ±		DRWN BY	DATE						
▼ = 0			3 PLACES ±		KGRUEDL	2015/11/25	FA M12 CAT6A 8P XC MA STR SHLD IDC				
▽ = 0			2 PLACES ± 0.05		CHK'D BY	DATE					
☒ = 0			1 PLACE ± 0.3		APPR BY	DATE	PRODUCT CUSTOMER DRAWING				
■ = 0			0 PLACES ± 0.5		CBRUNS	2016/04/07					
▽ = 0			DRAFT WHERE APPLICABLE MUST REMAIN WITHIN DIMENSIONS		DRAWING SIZE	THIRD ANGLE PROJECTION	SERIES	MATERIAL NUMBER	CUSTOMER		
		A1			A3		120341	1203410806			
							DOCUMENT NUMBER	DOC TYPE	DOC PART	SHEET NUMBER	
						1203410806	PSD	000	2 OF 2		