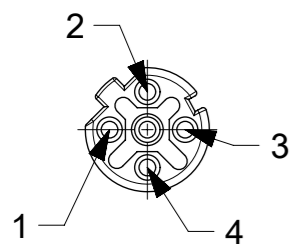


4 POLE D-CODE

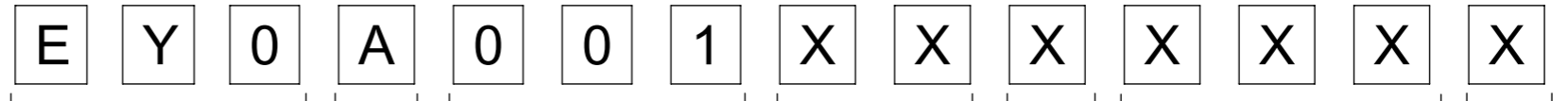
M12 FEMALE



PIN	WIRE COLOR
1	OR
2	GN
3	OR/WH
4	GN/WH
5	-

CODING ACCORDING TO IEC-61076-2-101

PART No MATRIX



EY0: ETHERNET ULTRA LOCK 2.0 SINGLE ENDED

WIRING: A = 4 POLE

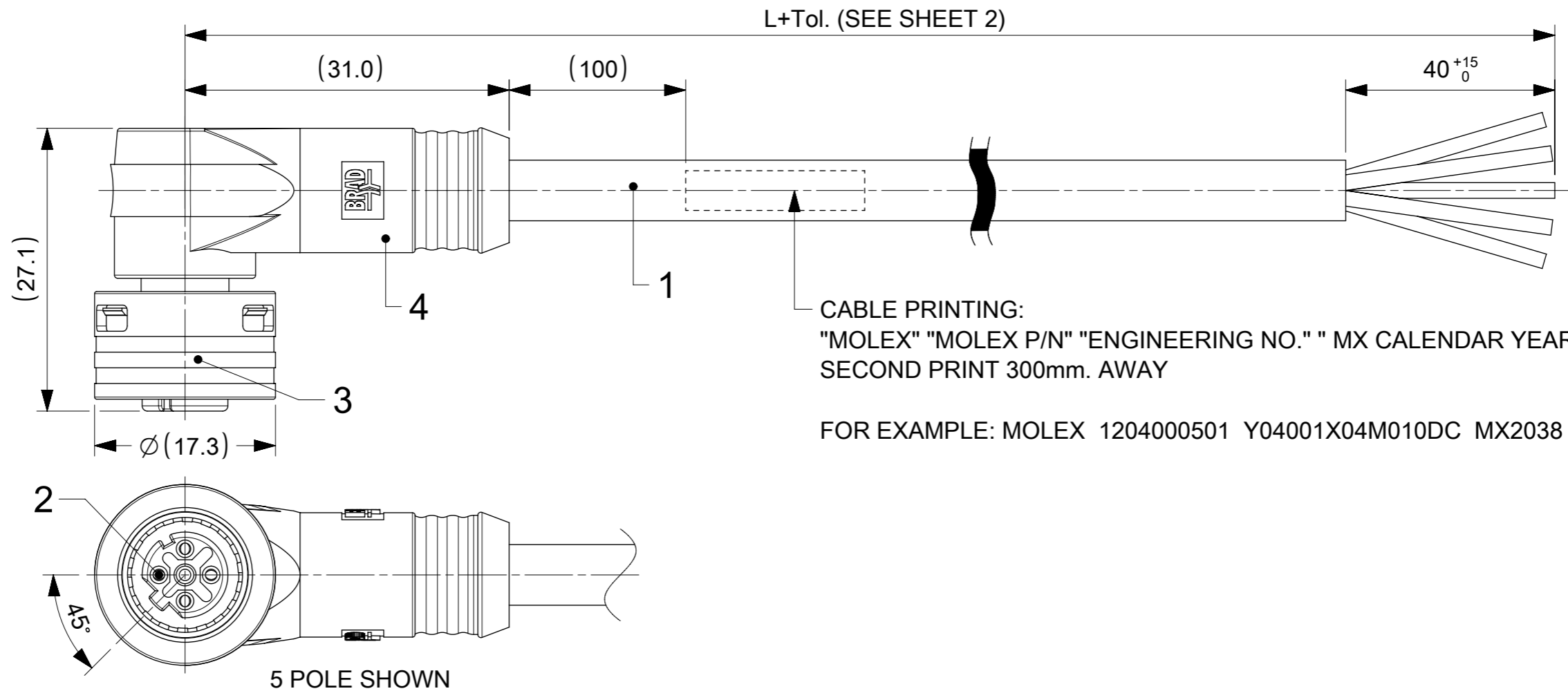
HEADER: 001 = FEMALE RA

CABLE: 04 = ETHERNET CAT-5E 2x2x24AWG TPE TEAL

UNIT: M = METER F = FEET C = CENTIMETER T = 10M

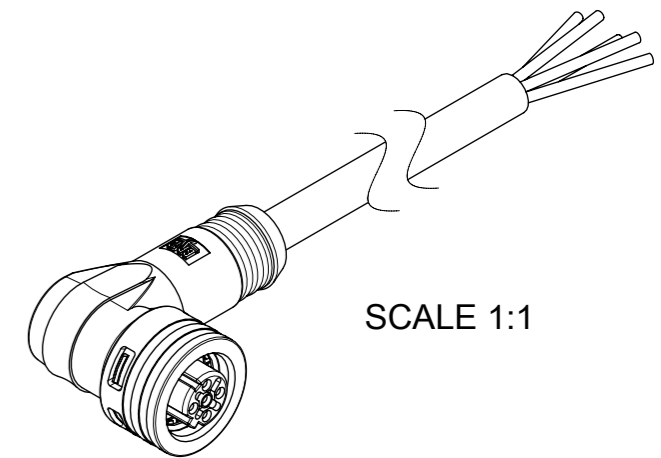
LENGTH: EXAMPLE: 010 = 1 m 050 = 5 m 100 = 10 m

OVERMOLD: BLANK = STANDARD BRAD: - YELLOW IN THE USA - BLACK IN EUROPE
 A = GREY
 E = RED
 G = BLACK
 Y = YELLOW
 H = STD. COLOUR WITH TWO ID-TAG CARRIERS



CABLE PRINTING: "MOLEX" "MOLEX P/N" "ENGINEERING NO." " MX CALENDAR YEAR CALENDAR WEEK"
 SECOND PRINT 300mm. AWAY

FOR EXAMPLE: MOLEX 1204000501 Y04001X04M010DC MX2038



NOTES:

- PARTS ACC. TO PRODUCT SPECIFICATION 1204000001 PS P10 AND IN STYLE OF IEC-61076-2-010
- BOM & PART LIST - SEE SHEET 2
- ELECTRICAL DATA: ACCORDING TO CAT5e ETHERNET STANDARD
 RATED VOLTAGE: 60V DC
 RATED CURRENT: 1.5A, DERATING HAS TO BE CONSIDERED
 OVERVOLTAGE CATEGORY: 3
 POLLUTION DEGREE: 3, ONLY IN MATED AND LOCKED CONDITION
- PROTECTION CLASS: IP 67, ONLY IN MATED AND LOCKED CONDITION
- TEMPERATURE RANGE:
 TEMPERATURE PLUG/SOCKET: -40 °C TO +85 °C
 TEMPERATURE CABLE: SEE CABLE LIST
- MECHANICAL OPERATIONS: 100 CYCLES
- MATES WITH ULTRA-LOCK M12 MALE RECEPTACLES
- PACKAGING: THE CORDSETS ARE SINGLE PACKED IN PLASTIC BAGS AND DELIVERED IN CARTON BOXES
- UL CSA FILE REGISTRATION PENDING

FUNCTIONAL SYMBOLS	THIS DRAWING CONTAINS INFORMATION THAT IS PROPRIETARY TO MOLEX ELECTRONIC TECHNOLOGIES, LLC AND SHOULD NOT BE USED WITHOUT WRITTEN PERMISSION	CURRENT REV DESC: NOTES AND CABLE LIST UPDATED			
	△/A = 0 △/E = 0 △/V = 0	DIMENSION UNITS: mm SCALE: 2:1 GENERAL TOLERANCES (UNLESS SPECIFIED): ANGULAR TOL ± 1.0 ° 4 PLACES ± 0.0 3 PLACES ± 0.0 2 PLACES ± 0.05 1 PLACE ± 0.3 0 PLACES ± 0.5	EC NO: 736602 DRWN: RSCHIEBER 2023/01/24 CHK'D: RSILLER 2023/01/31 APPR: RSILLER 2023/01/31		
DIVISIONAL SYMBOLS	DRAFT WHERE APPLICABLE MUST REMAIN WITHIN DIMENSIONS	THIRD ANGLE PROJECTION	DRAWING: A3-SIZE	SERIES: 120406	DOCUMENT NUMBER: 1204060008
				MATERIAL NUMBER: SEE SHEET 2	CUSTOMER: GENERAL MARKET
				INITIAL REVISION: DRWN: RSCHIEBER 2021/04/28 APPR: RSILLER 2021/05/05	DOC TYPE: PSD DOC PART: 000 REVISION: A2
				SHEET NUMBER: 1 OF 2	

