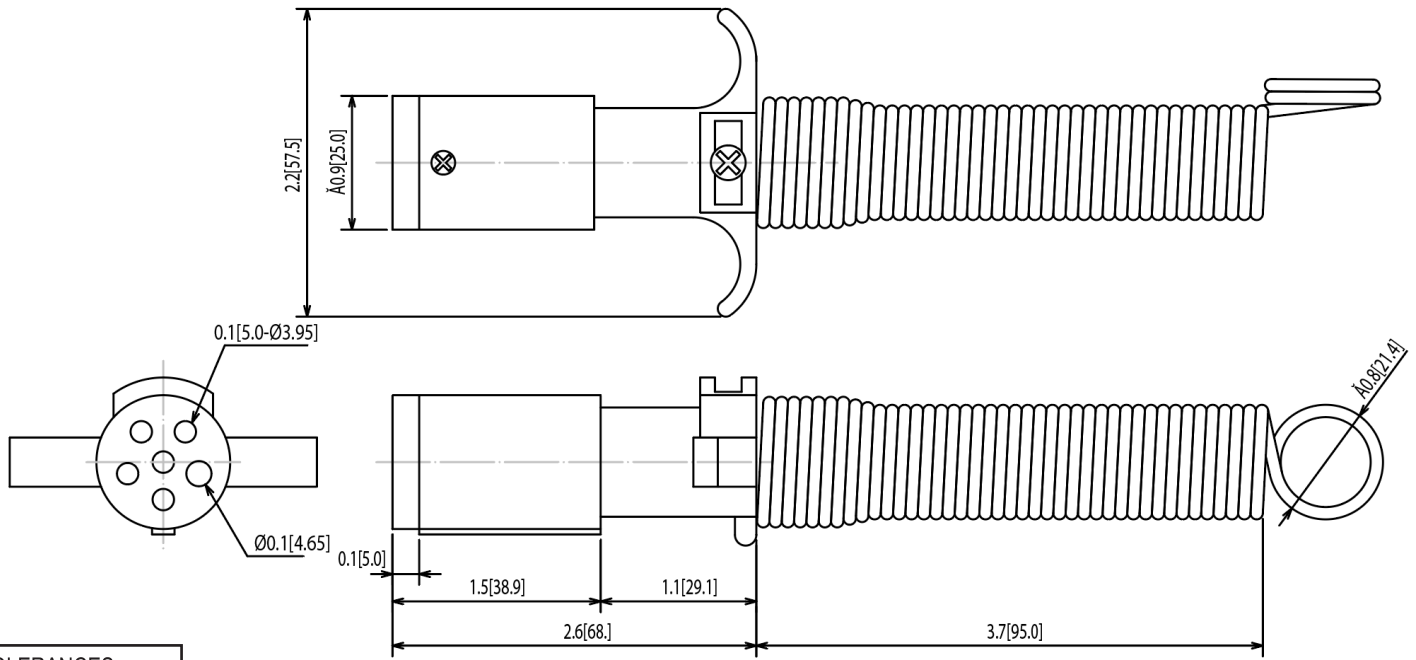


Mechanical Dimensions: Inches [mm]

Tolerances ± 0.012 [0.3] Unless Otherwise Specified



TOLERANCES:
 1mm~5mm: ± 0.1
 6mm~20mm: ± 0.2
 21mm~50mm: ± 0.3
 51mm~100mm: ± 0.5
ANGLES: $\pm 1^\circ$

Wiring Color Codes

| S.A.E WIRING CODES RECOMMENDED STANDARD | | |
|---|--------|-------------------|
| CIRCUITS | POLE | WIRING COLOR CODE |
| Ground Return | White | |
| Tail Lights | Brown | |
| Left Turn | Yellow | |
| Stop | Red | |
| Right Turn | Green | |
| Auxiliary Circuit | Blue | |

Material Specifications

| |
|---------------|
| Zinc Die Cast |
| |
| |
| |

| Rev | Date of issue | Revision Notes | Designed | Approved |
|-----|---------------|-----------------|----------|----------|
| A | 07-16-2019 | Initial Drawing | RC | OH |