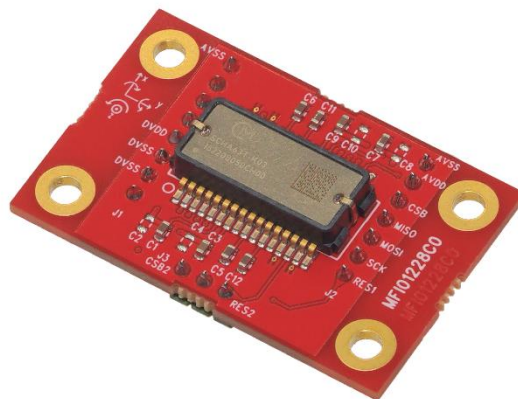


SCHA6XX SERIES PCB SPECIFICATION



1 SCHA63X Series Chip Carrier PCB

The purpose of SCHA63X series PCB is to enable fast prototyping.

SCHA63X series PCB includes

- SCHA63X series sensor soldered on PCB
- PCB design # 01228C0 with pin headers
- Connectors and passive components

Refer to corresponding component specific datasheet when using the SCHA63X series PCB.

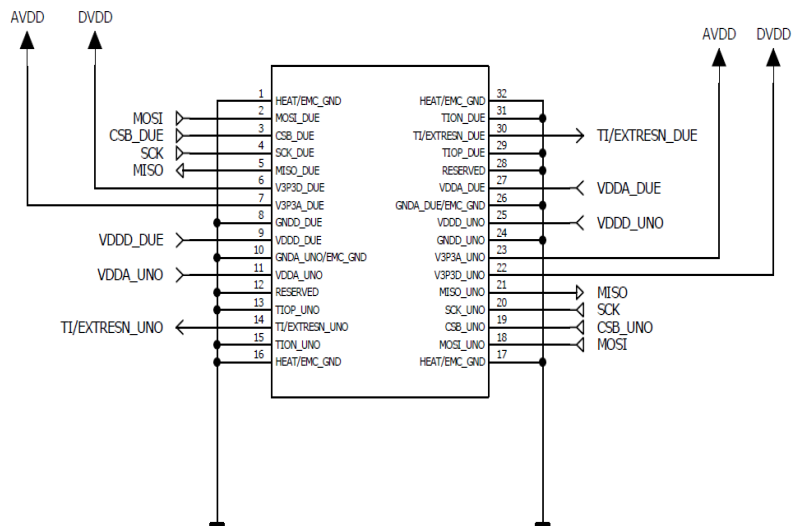


Figure 1. SCHA63X series PCB pin out and external connections.

| Item | Qty | Ref | Part Name / type | Value |
|------|-----|----------------|---|-----------|
| 1 | 2 | C3,C9 | Capacitor 0603 | 100 nF |
| 2 | 6 | C1,C5-7,C11-12 | Capacitor 0603 | 1 μ F |
| 3 | 1 | | SCHA63X Sensor | |
| 4 | 1 | J1 | 8-pin through hole pin header, pitch 100 mils, pin size 0.63x0.63mm, length ~5.85mm (example mating part: Samtec: SSQ-108-01-S-S) | |
| 5 | 1 | J2 | 7-pin through hole pin header, pitch 100 mils, pin size 0.63x0.63mm, length ~5.85mm (example mating part: Samtec: SSQ-107-01-S-S) | |
| 6 | 1 | J3 | 3-pin through hole pin header, pitch 100 mils, pin size 0.63x0.63mm, length ~5.85mm (example mating part: Samtec: SSQ-108-01-S-S) | |

Table 1. BOM of the SCHA63X series PCB.

Detailed pictures of SCHA63X series PCB are presented in following pages:

- PCB layout
- Assembly drawings
- Circuit diagram

PCB mechanical dimensions:

- Length 42.86 mm
- Width 27.38 mm
- Height 15.1 mm (incl. components and pin headers)
- PCB layers: 4

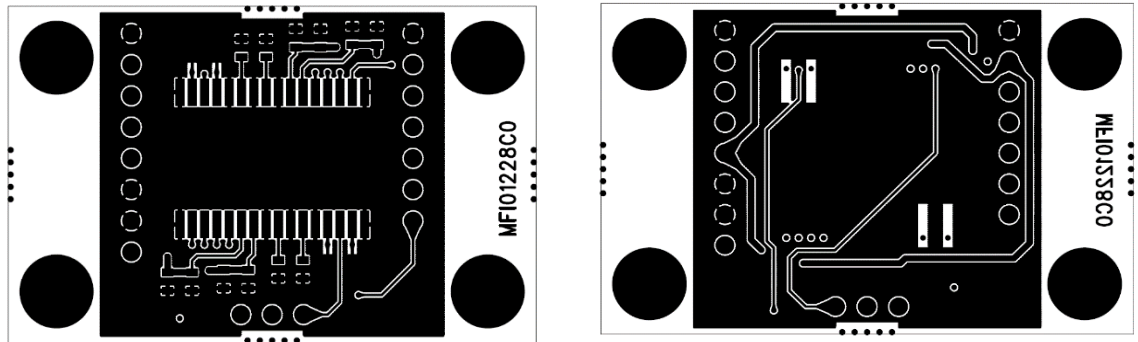


Figure 2. TOP (left) and BOTTOM (right) layer of SCHA63X series PCB (aspect ratio not 1:1).

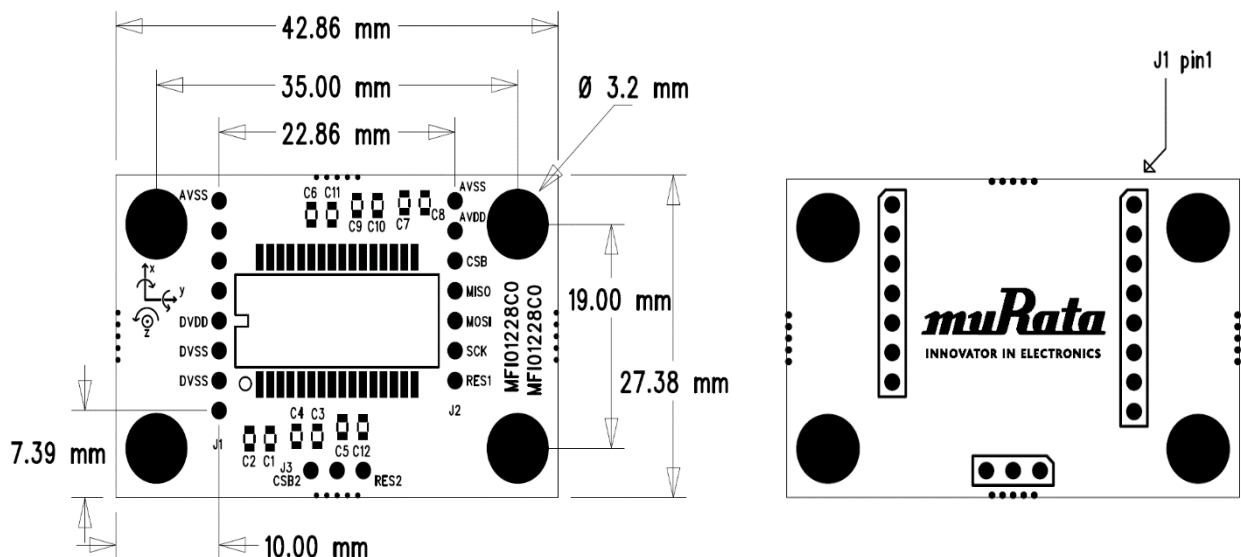


Figure 3. TOP (left) and BOTTOM (right) view assembly drawings for SCHA63X series PCB (aspect ratio not 1:1).

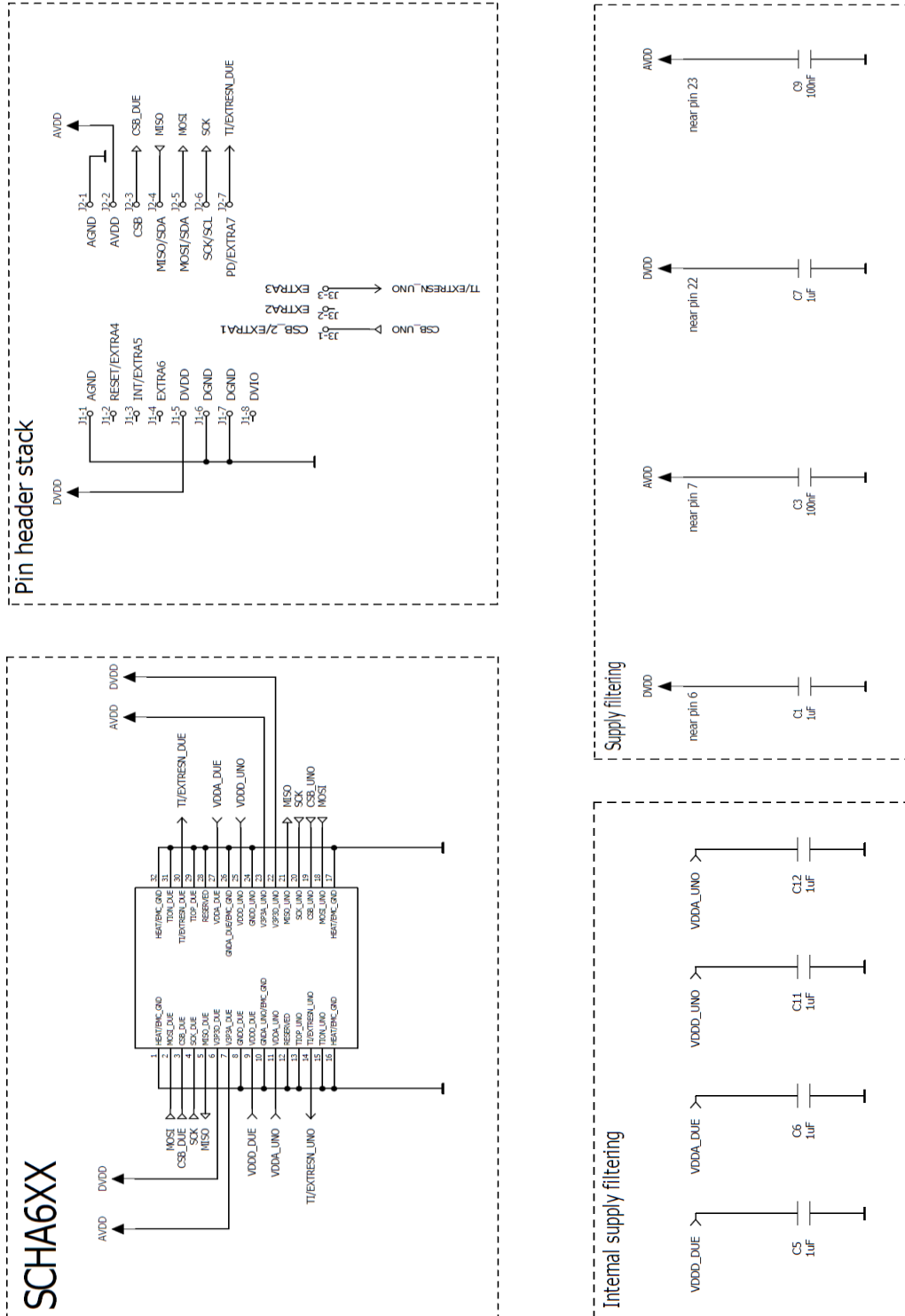


Figure 4. SCHA63X series PCB circuit diagram.