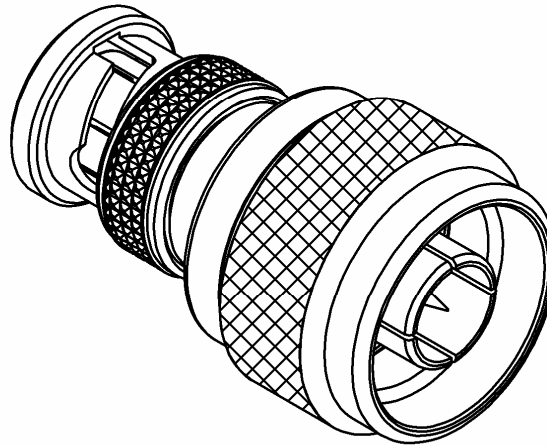
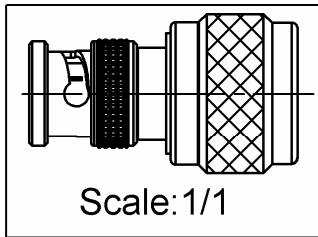
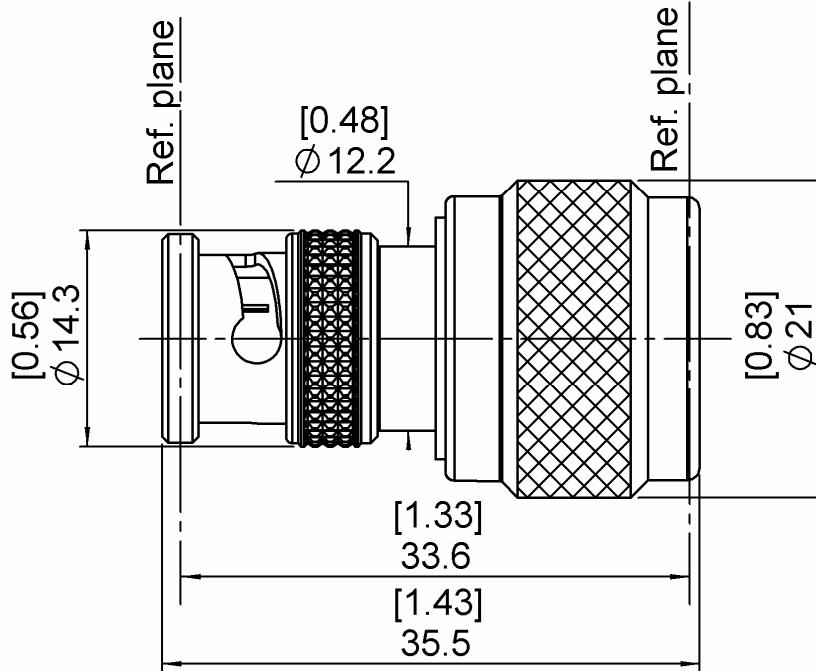


BNC 75 HDTV MALE-N MALE

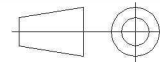
R192.417.010

STRAIGHT ADATER

Série : ADAPTER 75



All dimensions are in mm.



COMPONENTS	MATERIALS	PLATING (µm)
BODY	BRASS	BBR2
CENTER CONTACT	BRASS	NPGR
OUTER CONTACT	BRASS	BBR2
INSULATOR	PTFE	
GASKET	SILICONE RUBBER	
OTHERS PARTS	BRASS	BBR2
-	-	-
-	-	-

Issue : 1147 A

In the effort to improve our products, we reserve the rights to make changes judged to be necessary.



BNC 75 HDTV MALE-N MALE

R192.417.010

STRAIGHT ADATER

Série : ADAPTER 75

PACKAGING

SPECIFICATION

Standard	Unit	Other
1	-	Contact us

ELECTRICAL CHARACTERISTICS

ENVIRONMENTAL

Impedance	75 Ω
Frequency	0-6 GHz
VSWR	1.03 + 0,0200 x F(GHz) Maxi
Insertion loss	0.1 √F(GHz) dB Maxi
RF leakage	- (55* - F(GHz)) dB Maxi
Voltage rating	500 Veff Maxi
Dielectric withstanding voltage	1500 Veff mini
Insulation resistance	5000 MΩ mini

Operating	-55/+155 °C
Hermetic seal	NA Atm.cm3/s
Panel leakage	NA

MECHANICAL CHARACTERISTICS

OTHER CHARACTERISTICS

Center contact retention	
Axial force – Mating end	15 N mini
Axial force – Opposite end	15 N mini
Torque	NA N.cm mini

*From 2 to 3 GHz

Recommended torque	
Mating	BNC 75 HDTV
	0 N.cm
	N
	60 N.cm
	0 N.cm
Panel nut	NA N.cm

Mating life	500 Cycles mini
Weight	36,2300 g

Issue : 1147 A

In the effort to improve our products, we reserve the rights to make changes judged to be necessary.

