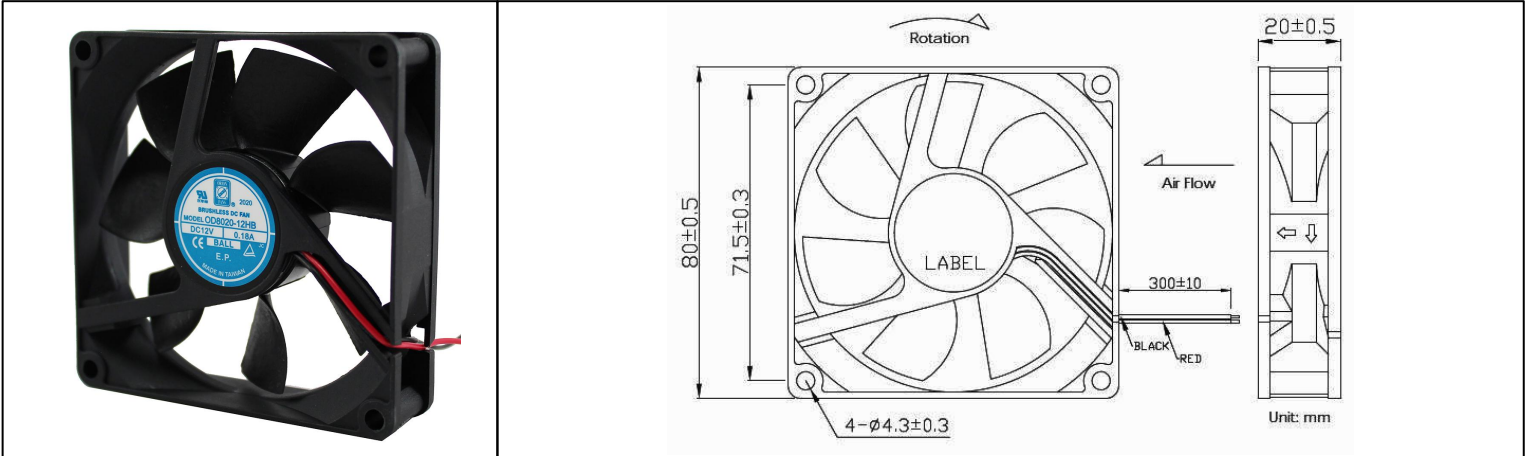


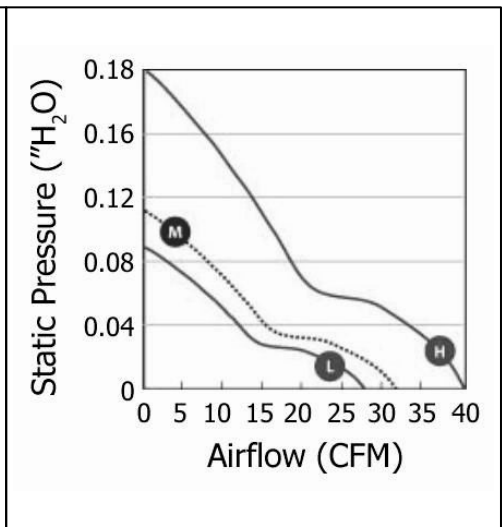
OD8020 Series



DC Fans - 12, 24V
80mm x 20mm (3.15" x 0.8")



| | | |
|-----------------------|---|--|
| Frame | PBT, UL94 V-0 Plastic | Operating Temperature -20°C ~ +65°C |
| Impeller | PBT, UL94 V-0 Plastic | |
| Connection | 2x Lead Wires, UL 1007 26 AWG | Storage Temperature -20°C ~ +75°C |
| Motor | Brushless DC, Auto Cutoff, Auto Restart, Polarity Protected, Electronically Protected | |
| Bearing System | Ball Bearings | Life Expectancy 70,000 Hours (L10 at 45°C) |
| Dielectric Strength | 500VDC/min, <1mA | |
| Insulation Resistance | ≥10M Ohm @ 500 VDC | Available Options PWM Speed Control Input Tachometer Output Alarm Output Sealed Sleeve Bearings IP Ratings |
| | | Weight: 0.17 lbs. |

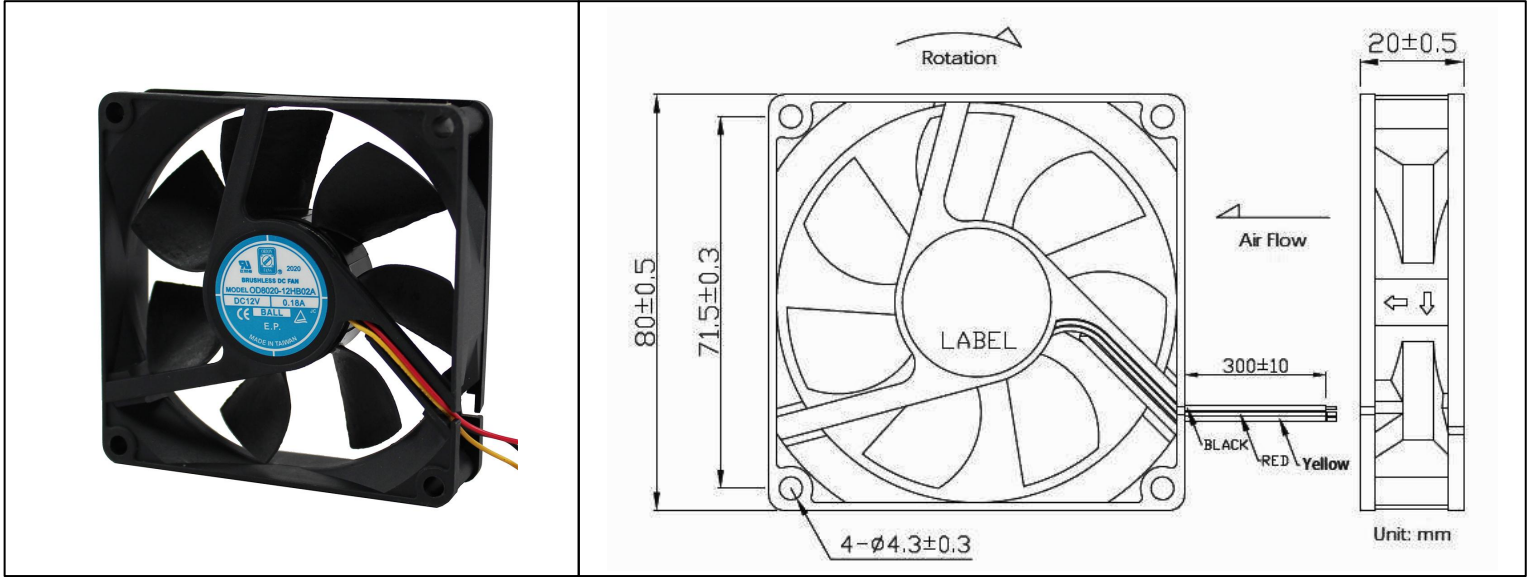


| Part Number | Rated Voltage (Volts DC) | Voltage Range (Volts DC) | Input Power (Watts) | Rated Current (Amps) | Rated Speed (RPM) | Max Airflow (CFM) | Noise Level (dBA) | Max Static Pressure ("H ₂ O) |
|-------------|--------------------------|--------------------------|---------------------|----------------------|-------------------|-------------------|-------------------|---|
| OD8020-12HB | 12 | 11 ~ 13.8 | 2.2 | 0.18 | 3400 | 40 | 36 | 0.18 |
| OD8020-12MB | 12 | 11 ~ 13.8 | 1.8 | 0.15 | 2800 | 32 | 29 | 0.11 |
| OD8020-12LB | 12 | 11 ~ 13.8 | 1.4 | 0.12 | 2400 | 27 | 25 | 0.09 |
| OD8020-24HB | 24 | 22 ~ 25 | 2.9 | 0.12 | 3400 | 40 | 36 | 0.18 |
| OD8020-24MB | 24 | 22 ~ 25 | 2.4 | 0.10 | 2800 | 32 | 29 | 0.11 |
| OD8020-24LB | 24 | 22 ~ 25 | 2.0 | 0.08 | 2400 | 27 | 25 | 0.09 |

OD8020 Series with Alarm

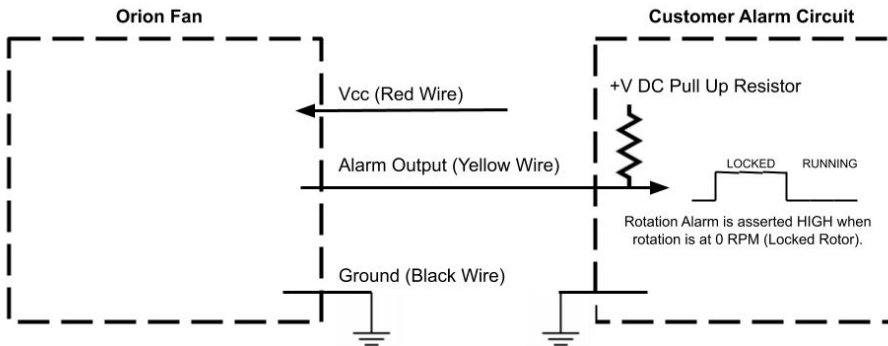


DC Fans - 12, 24V
80mm x 20mm (3.15" x 0.8")



| | | | |
|------------------------------|---|--|--|
| Frame | PBT, UL94 V-0 Plastic | Operating Temperature -20°C ~ +65°C | |
| Impeller | PBT, UL94 V-0 Plastic | | |
| Connection | 3x Wire Leads, UL 1007 26 AWG | Storage Temperature -20°C ~ +75°C | |
| Motor | Brushless DC, Auto Cutoff, Auto Restart, Electronically Protected, Polarity Protected | Life Expectancy 70,000 Hours (L10 at 45°C) | |
| Bearing System | Ball Bearings | Installed Options Open Collector Tach Output | |
| Dielectric Strength | 500VDC/min, <1mA | Weight: 0.17 lbs. | |
| Insulation Resistance | ≥10M Ohm @ 500 VDC | | |

| Part Number | Rated Voltage (Volts DC) | Voltage Range (Volts DC) | Input Power (Watts) | Rated Current (Amps) | Rated Speed (RPM) | Max Airflow (CFM) | Noise Level (dBA) | Max Static Pressure ("H ₂ O) |
|----------------|--------------------------|--------------------------|---------------------|----------------------|-------------------|-------------------|-------------------|---|
| OD8020-12HB02A | 12 | 11 ~ 13.8 | 2.2 | 0.18 | 3400 | 40 | 36.3 | 0.18 |
| OD8020-24HB02A | 24 | 22 ~ 25 | 2.9 | 0.12 | 3400 | 40 | 36.3 | 0.18 |



Alarm Max Pull-up Voltage: Fan Vcc
 Alarm Max Sink Current: 6mA
 Alarm Active Logic State: HIGH