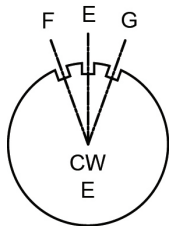


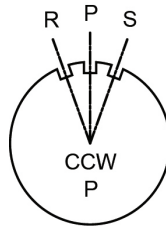
# Connector Solutions M23 Standard Series

STEP 1  
Choose Plug

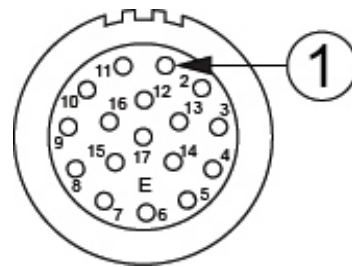


Standard connector parts mate "E"  
Plugs with "P" Receptacles, Mating  
parts use opposite contact types.  
example: plug with pin contacts  
mates with a receptacle using socket  
contacts.  
Other key code options available  
not listed here. Please call customer  
service for assistance when ordering  
F,G,R,S. See page 16 for connector  
configurations

STEP 2  
Choose Receptacle



STEP 3  
Choose Backshell/Cord Grip



## Plugs



MA1CAE1700



MA1EAE1700



MA2CAE1700

## Receptacles



MA1LAP1700



MA7RAP1701  
MA7RAP1702



MA1JAP1700



MA3TNP1700-S1  
MA3TNP1700-S2  
MA3TNP1700-S3



MA2LAP1700



MA5RAP1701  
MA5RAP1702



MA2JAP1700

## Cord Grips



MA6CG-S1  
MA6CG-S2  
MA6CG-S3

## FlexGrip™ Backshell System



MA4FSR-A8.5  
MA4FSR-A10.5  
MA4FSR-A12.8

more about  
FlexGrip™  
on page 282

**BULK CABLE**  
starts on  
page 23

## Receptacle Kits



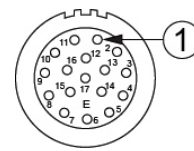
MA1LAP1700-KIT  
MA1LAP1700S-KIT



MA2LAP1700-KIT  
MA2LAP1700S-KIT

SEE TABLE ON NEXT PAGE FOR PART DETAILS

CONTACTS SOLD SEPARATELY SEE PAGE 182



**17 POSITIONS**  
**9A / 125V**  
**E type**

**Style: E type Plug**    **Number of Contacts: 17**    **Contact Size: 1.0mm**  
 Sealing: IP66/67    AWG: 22-18 (0.37 - 0.75 mm<sup>2</sup>) / 24-28 (0.25 - 0.10 mm<sup>2</sup>)



### Checkmate™ Connector Part Numbers

Part Number	Connector Type <i>Checkmate™ parts will mate with threaded parts. Just remove the O-ring from the threaded part.</i>	Style	Contact Type male = pin mates with female = socket ↓Mating Parts↓		Figure Drawings
MA2CAE1700	Plug, straight, <b>Checkmate™</b>	E	Pin	Socket	1
MA2LAP1700	Receptacle, straight, flange mount <b>Checkmate™</b>	P	Socket	Pin	2
MA2LAP1700-KIT	Receptacle kit, straight, flange mount <b>Checkmate™</b>	P		Pin	2
MA2LAP1700S-KIT	Receptacle kit, straight, flange mount <b>Checkmate™</b>	P	Socket		2
MA2JAP1700	Receptacle extension, <b>Checkmate™</b>	P	Socket	Pin	3
MA5RAP1701*	Receptacle, 90° rotatable, <b>Checkmate™</b> Standard Flange (25.7x25.7)	P	Socket	Pin	4
MA5RAP1702*	Receptacle, 90° rotatable, <b>Checkmate™</b> Large Flange (28.0x28.0)	P	Socket	Pin	5
↑ Contacts supplied separately see Chart 1 page 182					

### Threaded Connector Part Numbers

Part Number	Connector Type <i>Checkmate™ parts will mate with threaded parts. Just remove the O-ring from the threaded part.</i>	Style	Contact Type male = pin mates with female = socket ↓Mating Parts↓		Figure Drawings
MA1CAE1700	Plug, straight, threaded	E	Pin	Socket	6
MA1EAE1700	Plug, 90° rotatable, threaded	E	Pin	Socket	7
MA1LAP1700	Receptacle, straight, flange mount, threaded	P	Socket	Pin	8
MA1LAP1700-KIT	Receptacle kit, straight, threaded. Contacts included	P		Pin	8
MA1LAP1700S-KIT	Receptacle kit, straight, threaded. Contacts included	P	Socket		8
MA3TNP1700-S1	Receptacle, bulkead, threaded, 4.5-7.5mm	P	Socket	Pin	9
MA3TNP1700-S2	Receptacle, bulkead, threaded, 7.5-11.0mm	P	Socket	Pin	10
MA3TNP1700-S3	Receptacle, bulkead, threaded, 11.0-15.0mm	P	Socket	Pin	11
MA1JAP1700	Receptacle extension, threaded	P	Socket	Pin	12
MA7RAP1701*	Receptacle, 90° rotatable, threaded Standard Flange (25.7x25.7)	P	Socket	Pin	13
MA7RAP1702*	Receptacle, 90° rotatable, threaded Large Flange (28.0x28.0)	P	Socket	Pin	14
↑ Contacts supplied separately see Chart 1 page 182					

\*Elite Series receptacles are offered here as additional options for mating with Standard Series plugs. See Assembly Instructions starting on page 266

**Style: E type Plug**    **Number of Contacts: 17**    **Contact Size: 1.0mm**  
 Sealing: IP66/67    AWG: 22-18 (0.37 - 0.75 mm<sup>2</sup>) / 24-28 (0.25 - 0.10 mm<sup>2</sup>)

### Cord Grips and Backshells

Part Number	Type	Cable Range (mm)	Figure Drawings
MA6CG-S1	Cord grip	4.5-7.5mm	15
MA6CG-S2	Cord grip	7.5-11.0mm	15
MA6CG-S3	Cord grip	11.0-15.0mm	15
MA4FSR-A8.5*	Flex Grip™ backshell	7.5-8.5mm	16
MA4FSR-A10.5*	Flex Grip™ backshell	9.5-10.5mm	16
MA4FSR-A12.8*	Flex Grip™ backshell	11.5-12.8mm	16

\*Must be potted to achieve IP67 ratings.



### CHART 1

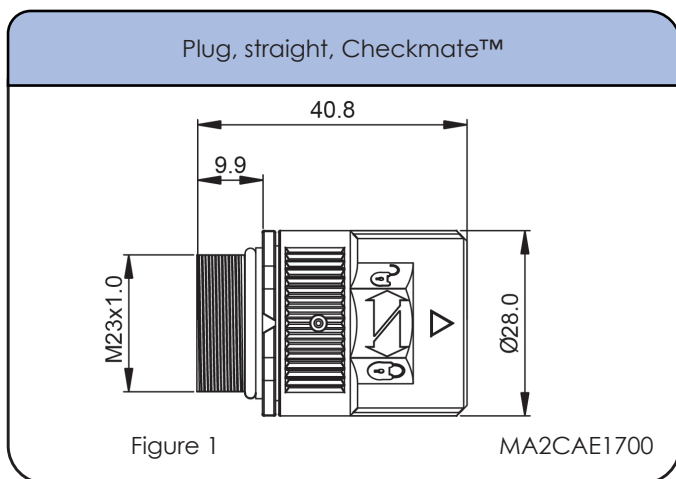
### Crimp Contacts, Machined

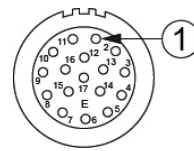
Part Number	Pin/Socket	AWG	mm <sup>2</sup>	Plating
SC000035	Pin	22-18	0.37 - 0.75	Gold
SC000146	Pin	28-24	0.10 - 0.25	Gold
SC000044	Socket	22-18	0.37 - 0.75	Gold
SC000030	Socket	28-24	0.10 - 0.25	Gold

Machined Contacts

### Checkmate™ Dimensions Straight Plug/ Plug Kits

See Chart 1 for contacts options



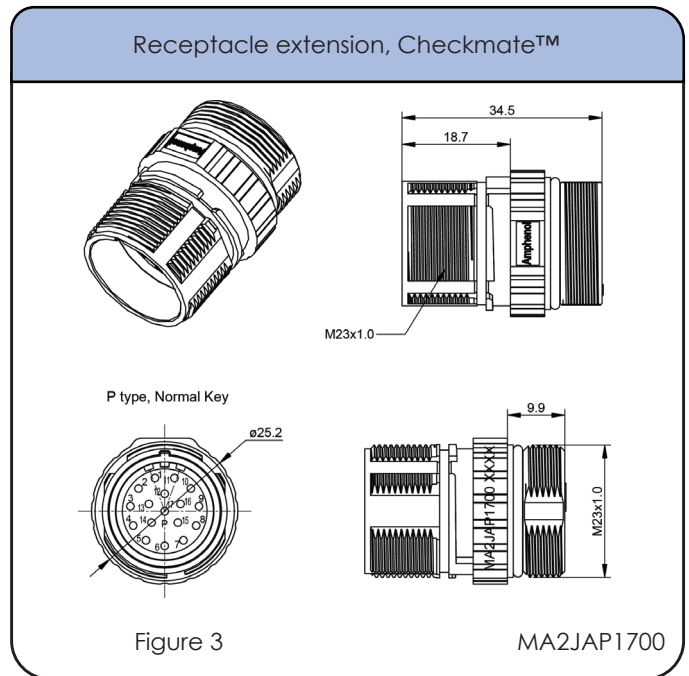
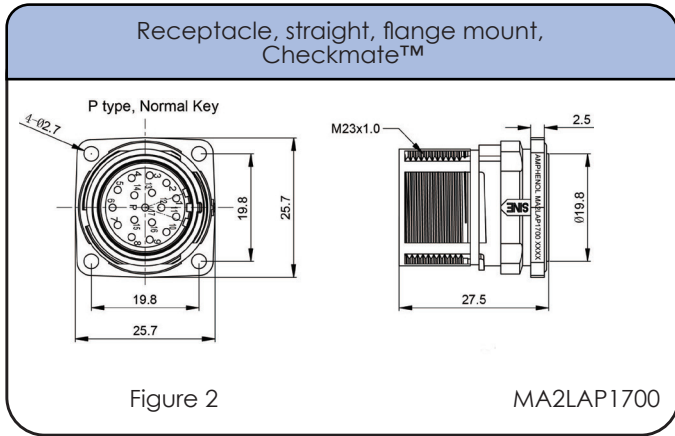


**17 POSITIONS**  
**9A / 125V**  
**E type**

**Style: E type Plug**    **Number of Contacts: 17**    **Contact Size: 1.0mm**  
 Sealing: IP66/67    AWG: 22-18 (0.37 - 0.75 mm<sup>2</sup>) / 24-28 (0.25 - 0.10 mm<sup>2</sup>)

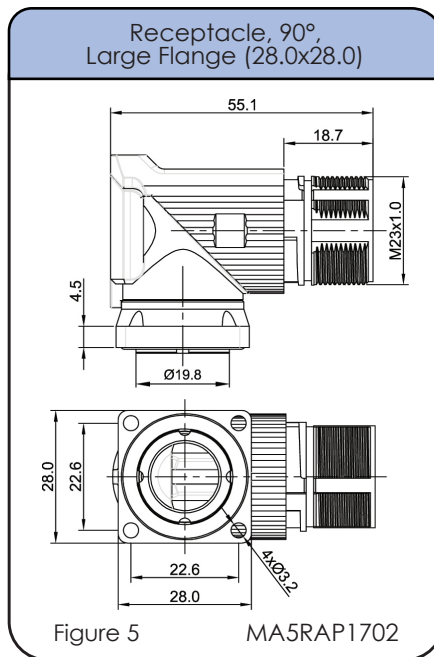
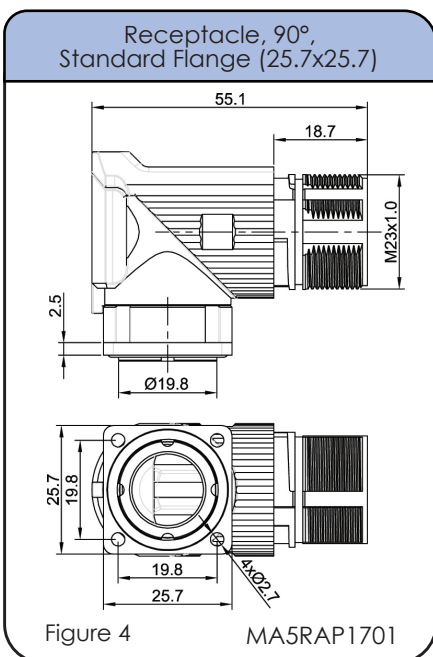
## Checkmate™ Dimensions Receptacles

See Chart 1 for contacts options



## Checkmate™ Dimensions 90° Receptacles

See Chart 1 for contacts options

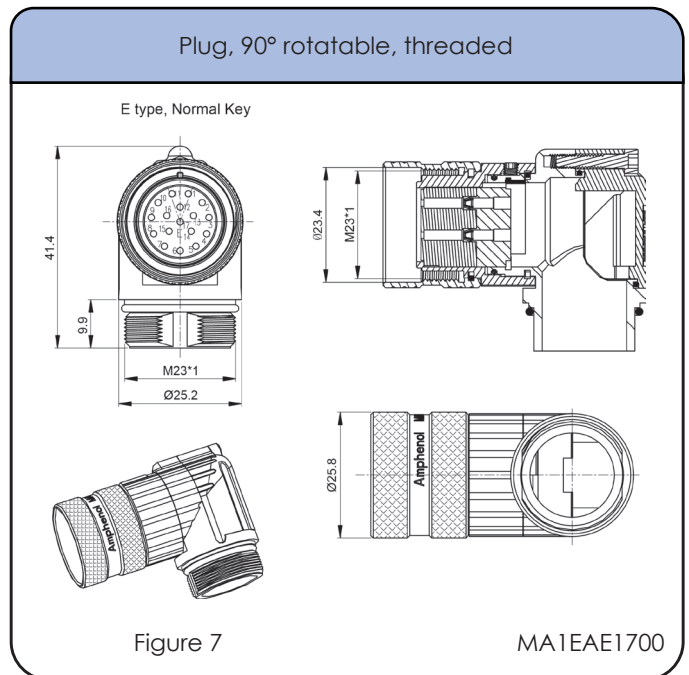
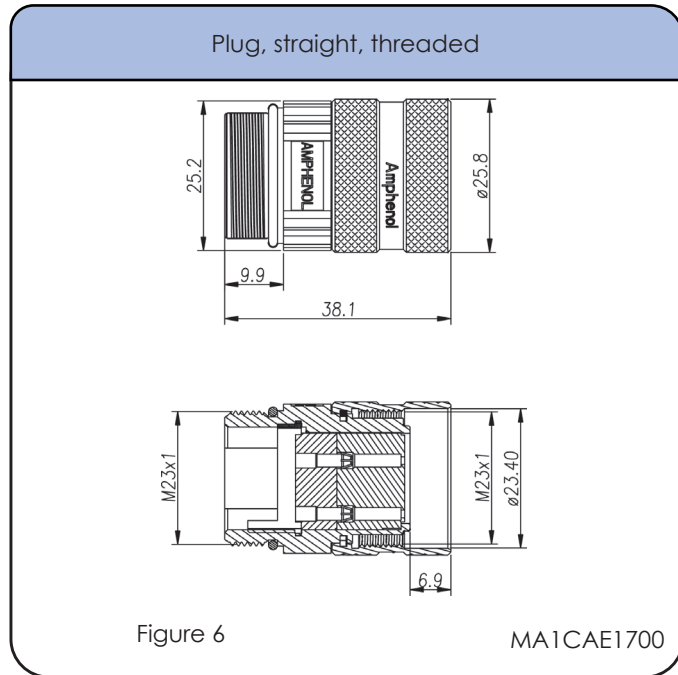


Complete datasheets can be found at [www.amphenol-sine.com](http://www.amphenol-sine.com)

**Style: E type Plug**    **Number of Contacts: 17**    **Contact Size: 1.0mm**  
 Sealing: IP66/67    AWG: 22-18 (0.37 - 0.75 mm<sup>2</sup>) / 24-28 (0.25 - 0.10 mm<sup>2</sup>)

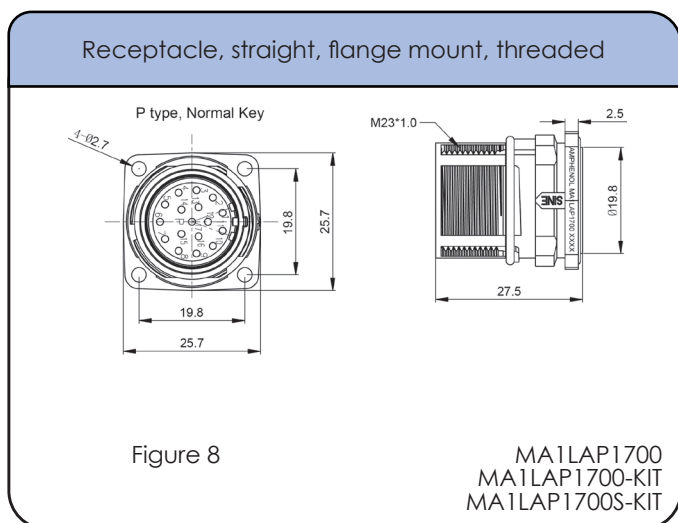
### Threaded Dimensions Straight Plug/ Plug Kits

See Chart 1 for contacts options

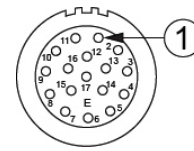


### Threaded Dimensions Straight Receptacles /Receptacle Kits

See Chart 1 for contacts options



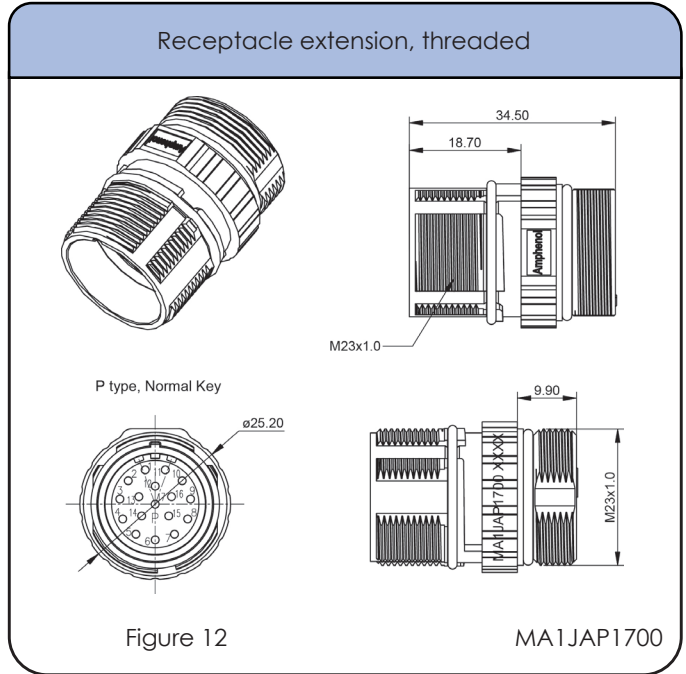
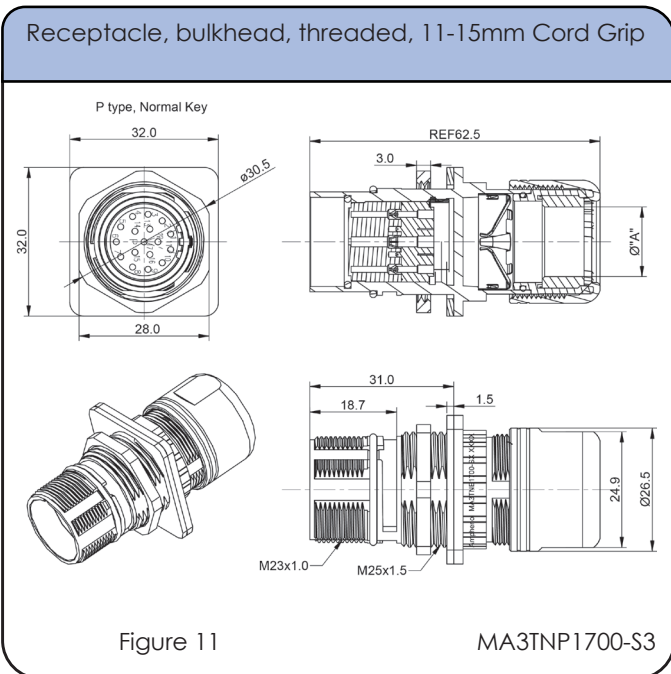
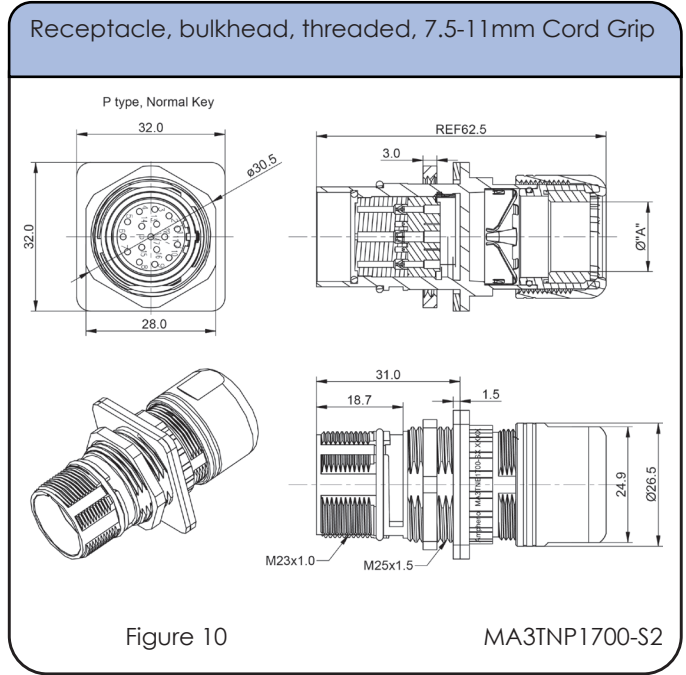
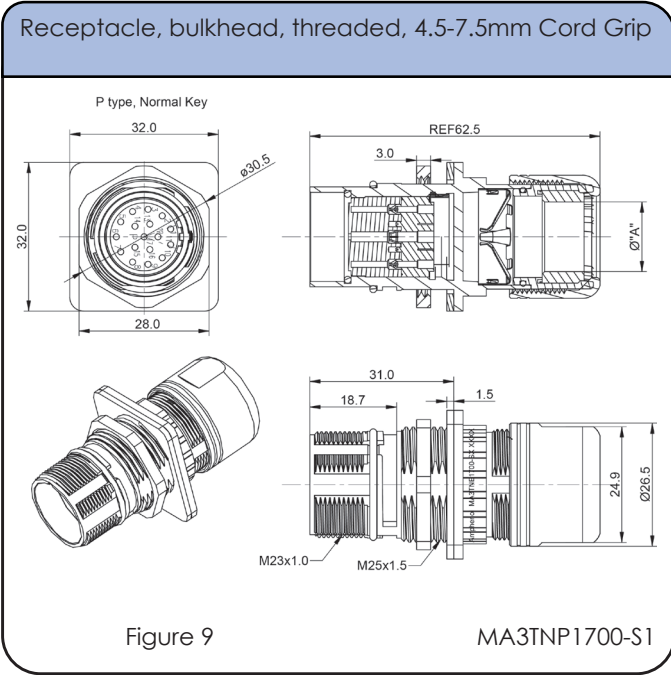
Complete datasheets can be found at [www.amphenol-sine.com](http://www.amphenol-sine.com)



**17 POSITIONS**  
**9A / 125V**  
**E type**

**Style: E type Plug    Number of Contacts: 17    Contact Size: 1.0mm**  
**Sealing: IP66/67    AWG: 22-18 (0.37 - 0.75 mm<sup>2</sup>) / 24-28 (0.25 - 0.10 mm<sup>2</sup>)**

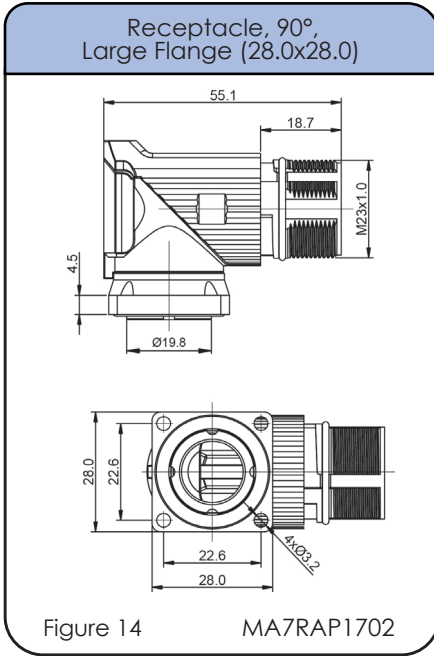
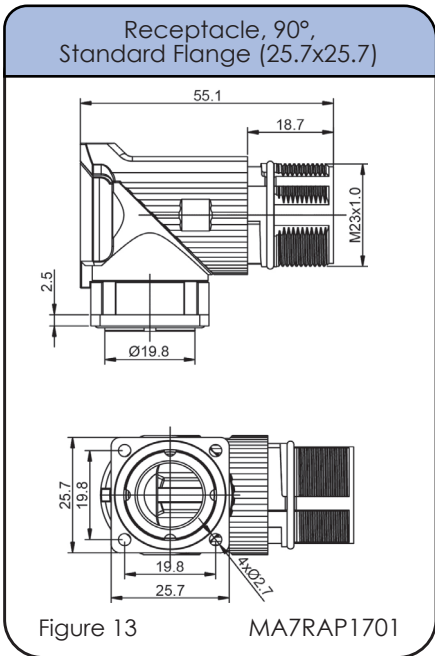
**Threaded Dimensions Bulkhead Receptacles / Receptacle Extension**  
*See Chart 1 for contacts options*



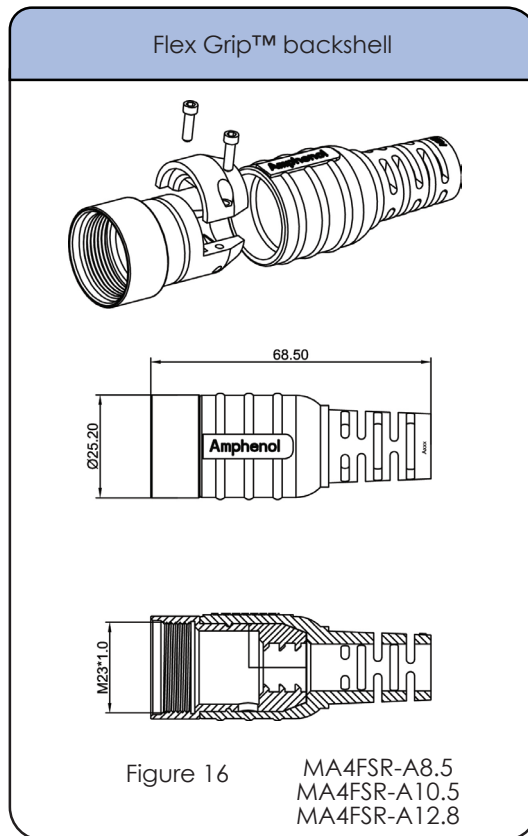
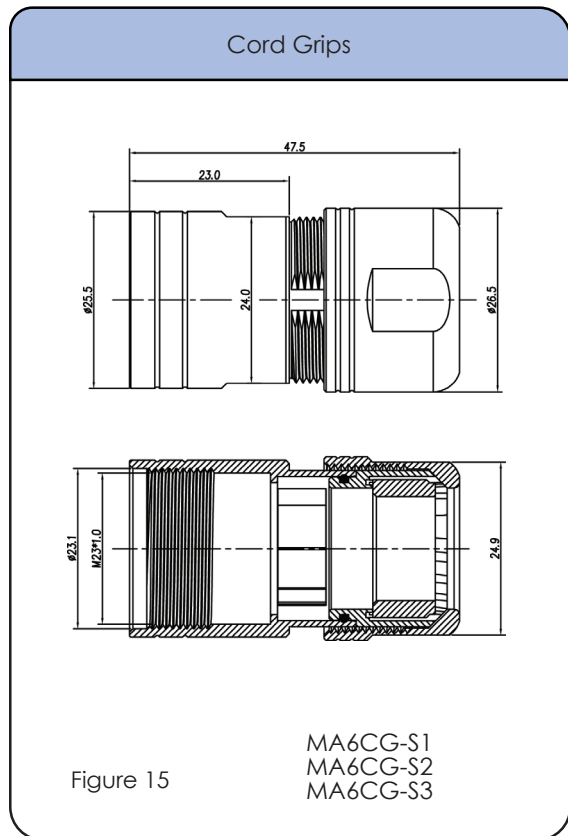
Complete datasheets can be found at [www.amphenol-sine.com](http://www.amphenol-sine.com)

**Style: E type Plug    Number of Contacts: 17    Contact Size: 1.0mm**  
 Sealing: IP66/67    AWG: 22-18 (0.37 - 0.75 mm<sup>2</sup>) / 24-28 (0.25 - 0.10 mm<sup>2</sup>)

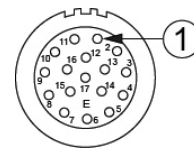
**Threaded Dimensions 90° Rotatable Receptacles**  
 See Chart 1 for contacts options



**Dimensions Cord Grips / Backshells**



Complete datasheets can be found at [www.amphenol-sine.com](http://www.amphenol-sine.com)



**17 POSITIONS**  
**9A / 125V**  
**E type**

**Style: E type Plug**    **Number of Contacts: 17**    **Contact Size: 1.0mm**  
 Sealing: IP66/67    AWG: 22-18 (0.37 - 0.75 mm<sup>2</sup>) / 24-28 (0.25 - 0.10 mm<sup>2</sup>)

CONNECTOR SOLUTIONS

### Tools & Accessories

<p>Universal hand crimp tool. Uses universal positioner part no. SK2-2* Wire range 20-32AWG</p>  <p>AFM8</p>	<p>Universal hand crimp tool. Uses universal positioner part no. UH2-5* Wire range 12-26AWG</p>  <p>AF8</p>	<p>Pneumatic crimp tool. Uses universal positioner part no. SK2-2* Wire range 20-32AWG</p>  <p>WA22</p>
<p>Universal positioner is used with crimp tools AFM8 and WA22. Wire range 20-32AWG</p>  <p>SK2-2</p>	<p>Universal positioner is used with the universal hand crimp tool (AF8). Wire range 12-26AWG</p>  <p>UH2-5</p>	<p>Pneumatic crimp tool. Uses universal positioner part no. UH2-5*. Wire range 12-26AWG</p>  <p>WA27F</p>
<p>Extraction tool. Used for removal of 1.0mm contacts from inserts.</p>  <p>50-54931-1</p>	<p>Dust Cap</p>  <p>P29687</p>	<p>Dust Cap for Plug, Checkmate™</p>  <p>P31662</p>
<p>Dust Cap for Plug, Threaded</p>  <p>P31660</p>	<p>* The universal positioner is not included with the crimp tools and must be ordered separately.</p>	

Complete datasheets can be found at [www.amphenol-sine.com](http://www.amphenol-sine.com)