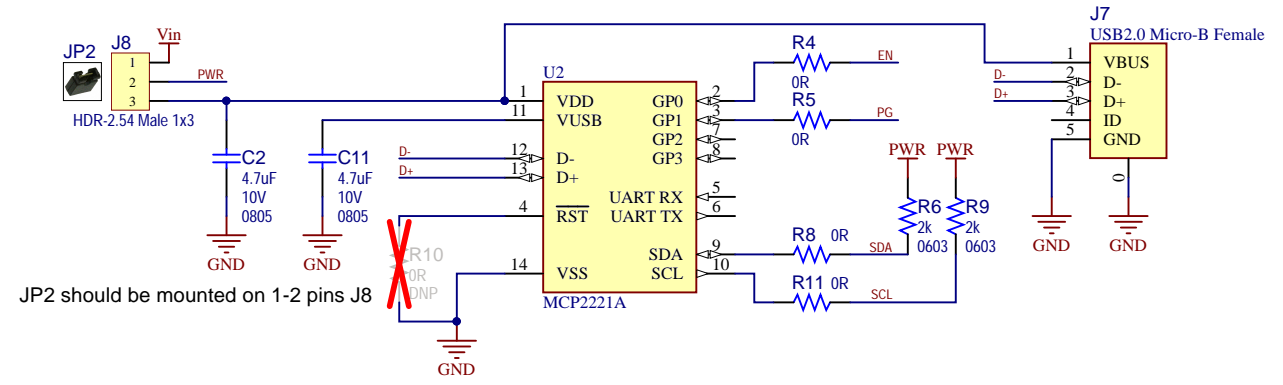
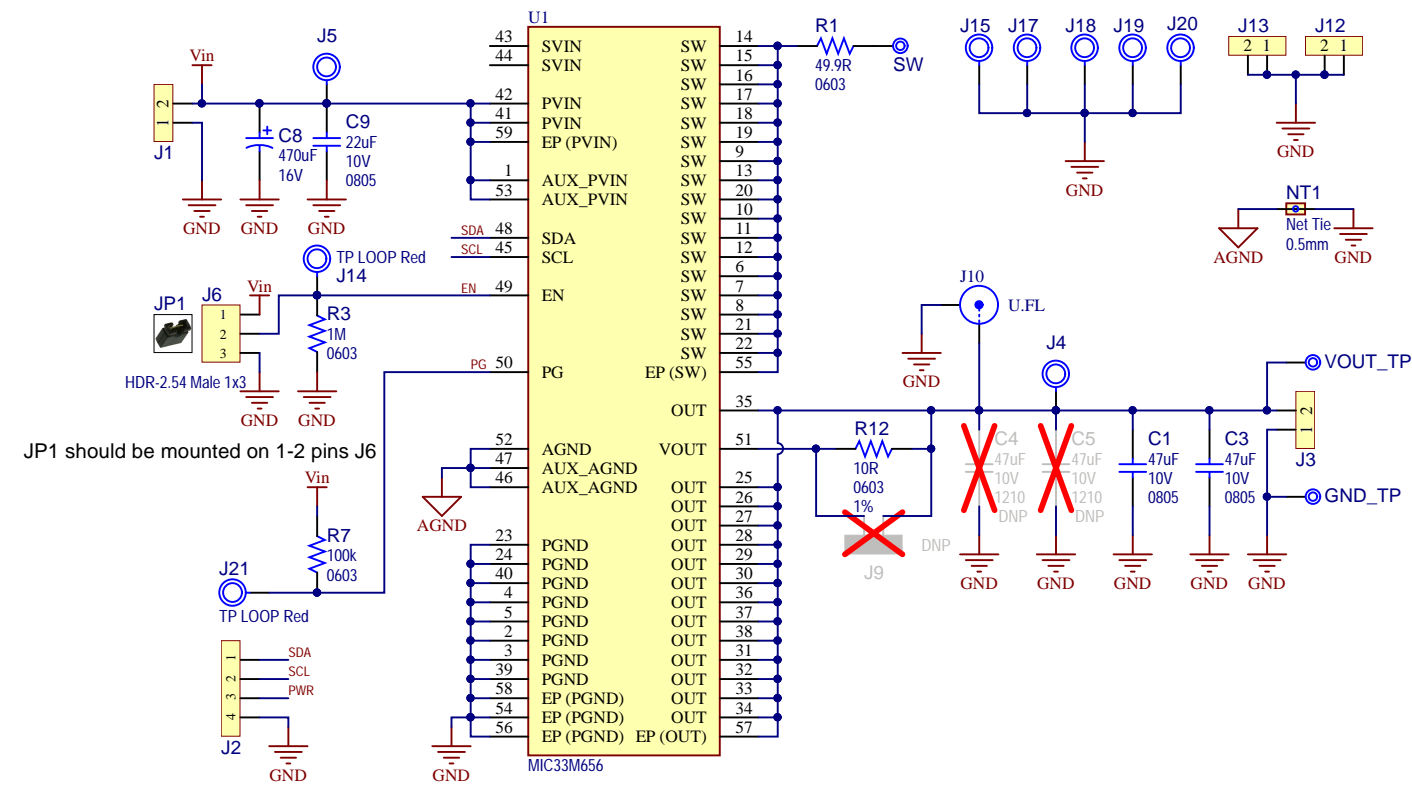


REV	ECO#	DESCRIPTION	DATE



JP2 should be mounted on 1-2 pins J8



JP1 should be mounted on 1-2 pins J6

- PAD2
Rubber Pad Cyl D7.9H5.3
- PAD4
Rubber Pad Cyl D7.9H5.3
- PAD1
Rubber Pad Cyl D7.9H5.3
- PAD3
Rubber Pad Cyl D7.9H5.3

LABEL1
02- -R1
JIT
LABEL Need Help Small

Drawn By: Alexandru Stoica		
Engineer: Alexandru Stoica		
PartNumber: DT100108	Project Title MIC33M656 6A Step Down Module Eval Board	Variant: Standard
Sheet Title Top Sheet		
Size B	Sch #:03-11021	Date: 8/13/2019 10:35:18 AM
Revision: 1		Sheet 1 of 1
File: Mechanical.SchDoc		

Altium.com