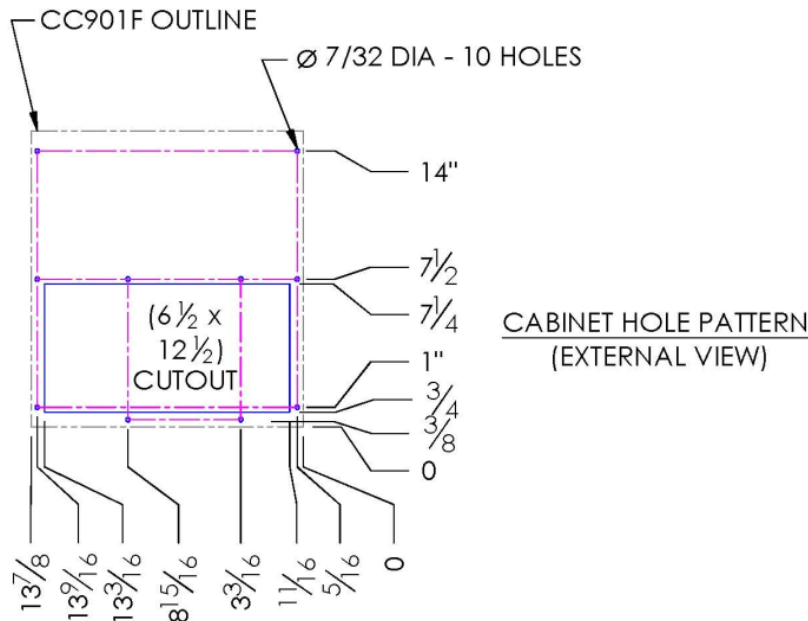
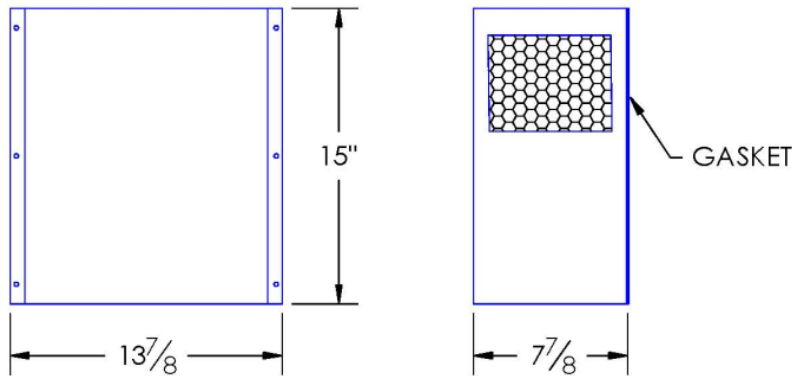


CC901F-WL-TYPE 4 COMPACT CABINET COOLER AIR-TO-AIR FLUSH-MOUNT MODEL

Model	Weight	Rating @ 20°C ΔT BTU / hr	Amps Current Draw at 115 volts AC	Fan Size	Dimensions-Inches (H x W x D)
CC901F-WL-TYPE 4	16 lbs	4,500	0.6	2 x 6"	15 x 13-7/8 x 7-7/8

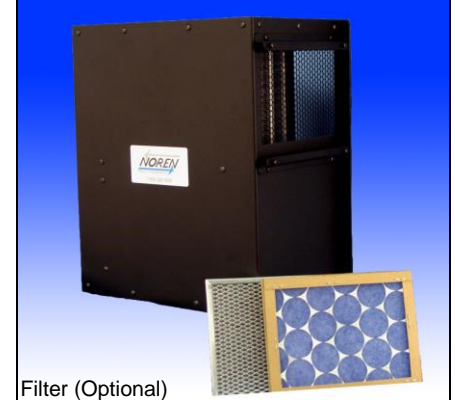
Efficiency: 66.0 Watts / °C ΔT based on average internal cabinet temperature.



Outside View



Inside View



Filter (Optional)

SPECIFICATIONS

- UL Listed for TYPE 4 environments.
- CC901F Rated cooling: 1,320 Watts at 20°C ΔT (66.0 W/°C, mounted to an uninsulated 72" x 36" x 24" cabinet.)
- Designed for surface mounting on outside of cabinet.
- Housing is aluminum (color is black). Stainless steel is available (TYPE 4X).
- Equipped with mounting gasket to maintain the TYPE 4 integrity of your cabinet.
- Pressure tested to insure liquid tight seal.
- External fan is UL rated for Wet Locations / Outdoor use (WL). This new fan is the Noreen Universal Fan (UF).
- Internal 6-ft. power cord with 3-prong plug is standard for AC powered units.
- Available with VAC (115 & 230) and VDC (12, 24, & 48) fans. DC powered units include junction box, consult website.
- Vertical mounting (as shown) is standard. Call for horizontal applications.
- Optional: inlet air-filter kit available upon request.
- 12. For design, quote, and sizing assistance: call (650) 322-9500.**

Subject to change without notice.



NOREN 1010 O'Brien Drive
Menlo Park, CA 94025
650.322.9500
norenproducts.com

CC901F-WL-TYPE 4

CCS-PBD-7.2.2-8833609-B