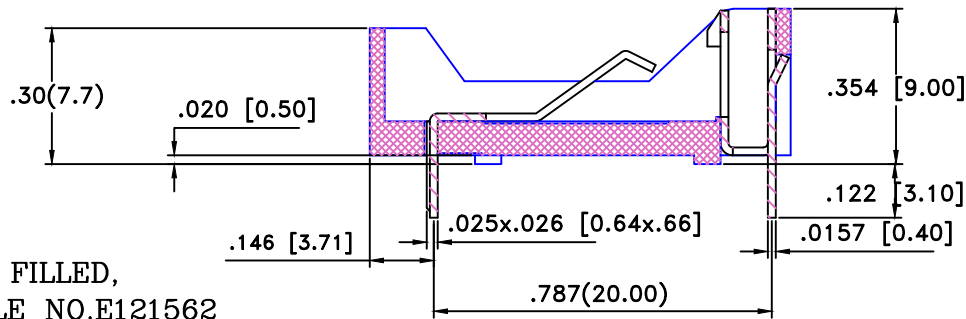
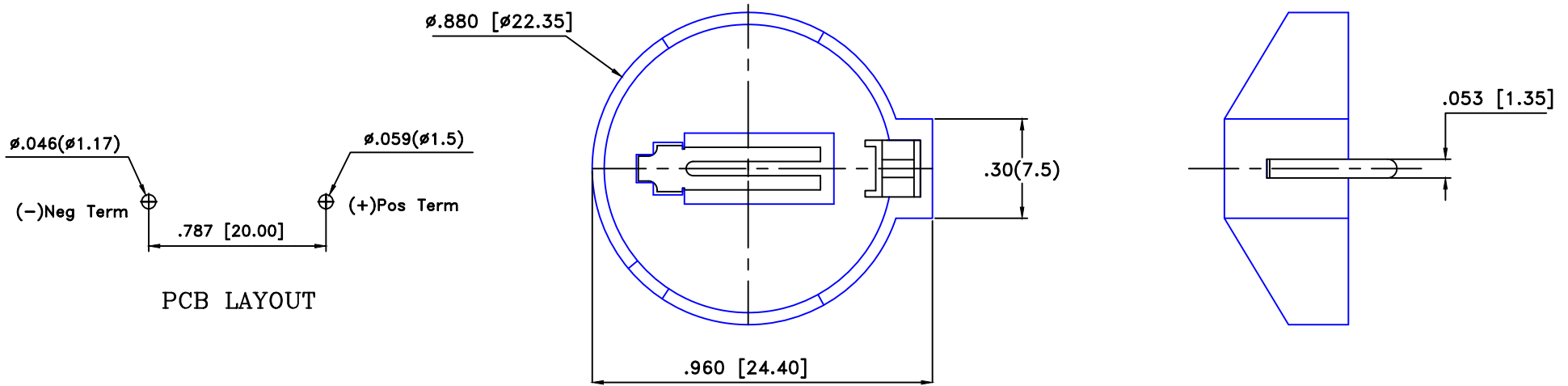


Date	SYM	REVISION RECORD	AUTH	DR.	CK.
01/29/16	G	UPDATED MATERIAL AND UL FILE NO.	T.B.	B.S.	
08/07/19	H	UPDATED SPECIFICATIONS	T.B.	B.S.	
10/18/19	J	ADDED WEIGHT OF THE PART	T.B.	B.S.	



MATERIAL

BODY: PBT 30% GLASS FILLED,
UL94V-0, UL FILE NO.E121562
CONTACT: PHOSPHOR BRONZE


FINISH

CONTACT: NICKEL PLATED OVERALL

SPECIFICATIONS

APPLICATION FOR 3V LITHIUM BATTERY, CR2032 OR BR2032
INSULTOR RESISTANCE: 5000 mΩ MIN.
OPPERATION TEMPERATURE: -55°C TO +105°C
DURABILITY: 50 CYCLES MIN
CONTACT RESISTANCE: 30 mΩ MAX
ROHS COMPLIANT

Weight: 1.68g

Tolerance (Except as noted)	 Memory protection Devices, Inc 200 Broad Hollow Road, Farmingdale, New York 11735		
decimal ±.5 (.020)		Scale 4=1	Drawn By T.S. Approved By T.B.
Fractional ± .8 (.030)	Title CR2032 BATTERY HOLDER WITH EASY RELEASE CLIP		
Angular ± 3°	Date 10/18/19	Drawing Number BS-7	