

Würth Elektronik eiSos GmbH & Co. KG

EMC & Inductive Solutions

Max-Eyth-Straße 1 · 74638 Waldenburg · Germany

Tel. +49 (0) 79 42 945-0 · Fax +49 (0) 79 42 945-400

eiSos@we-online.de · www.we-online.de



Product / Process Change Notification (PCN)

- Major change
 Minor change

PCN #: PCN_IndTIF_20201107
Affected Series: WE-TIF
 7447211xxx, 7447221xxx, 7447231xxx

PCN Date: August 07, 2020
Effective Date: November 07, 2020

Change Category:

- Equipment / Location
 General Data
 Material
 Process
 Product Design
 Shipping / Packaging
 Supplier
 Software

Contact: Product Management
Phone: +49 (0) 7942 - 945 5001
Fax: +49 (0) 7942 - 945 5179
E-Mail: pcn.eisos@we-online.com

Data Sheet Change:

- Yes No

Attachment:

- Yes No

DESCRIPTION AND PURPOSE OF CHANGE:

To increase the production capability of the product series WE-TIF, Würth Elektronik will implement an additional laser marking process.

For the purpose of a datasheet information enlargement, Würth Elektronik will also add the WE logo to the product drawing in the datasheet.

All products with date code 2020-11-07 or later, will be affected by this change.

There will be no change in fit, function, quality or reliability of the product.

DETAIL OF CHANGE:

- All electrical and mechanical properties of the parts will remain the same.
- Pad-, inkjet- and laser-printing will be used from now on.
- Printing method can be identified on the label by the 13th digit in the lot number.

Lot.-No. for pad-printing: xxxxxxxxxxxx0xx
 Lot.-No. for inkjet-printing: xxxxxxxxxxxx1xx
 Lot.-No. for laser-printing: xxxxxxxxxxxx2xx



Label example for pad printing
 (13th digit marked in red)

Würth Elektronik eiSos GmbH & Co. KG

EMC & Inductive Solutions

Max-Eyth-Straße 1 · 74638 Waldenburg · Germany

Tel. +49 (0) 79 42 945-0 · Fax +49 (0) 79 42 945-400

eiSos@we-online.de · www.we-online.de



4. Marking appearance:



Marking with pad-printing

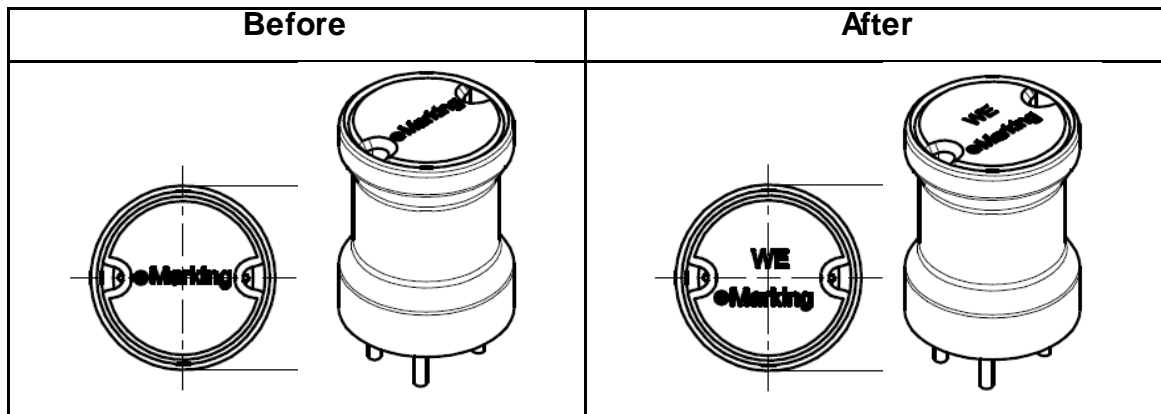


Marking with inkjet-printing



Marking with laser-printing

5. Product drawing appearance



RELIABILITY / QUALIFICATION SUMMARY:

There will be no change of the product, therefore no additional reliability or qualification testing will be performed.