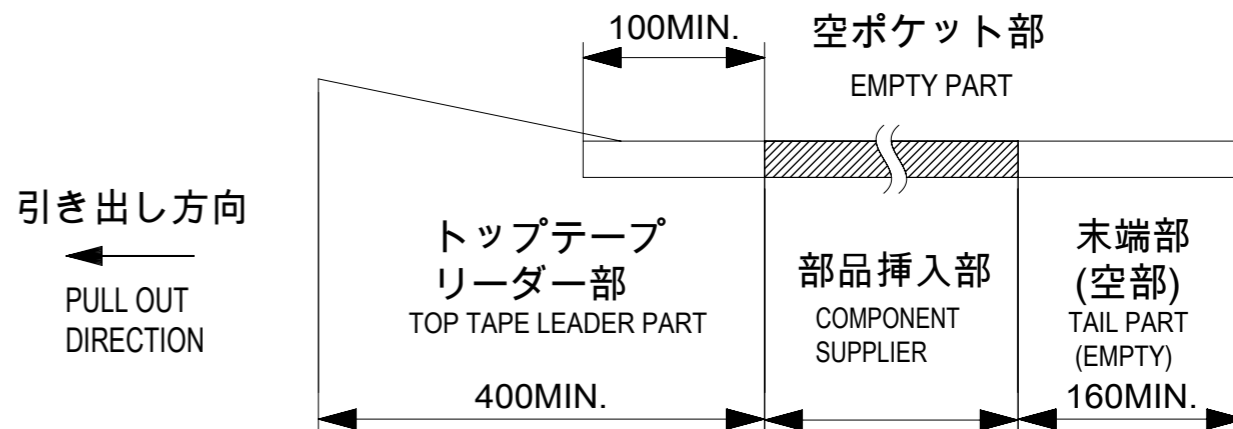


NOTES

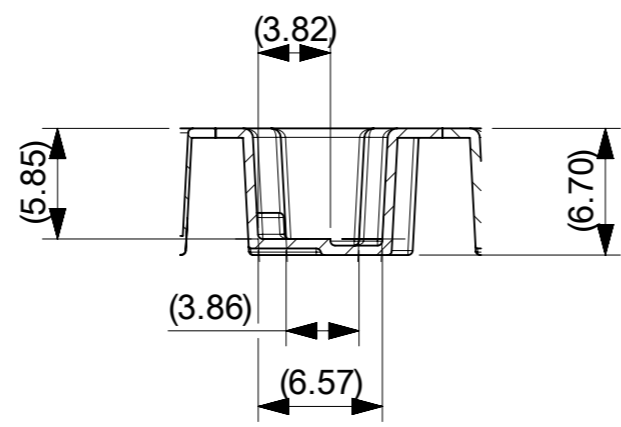
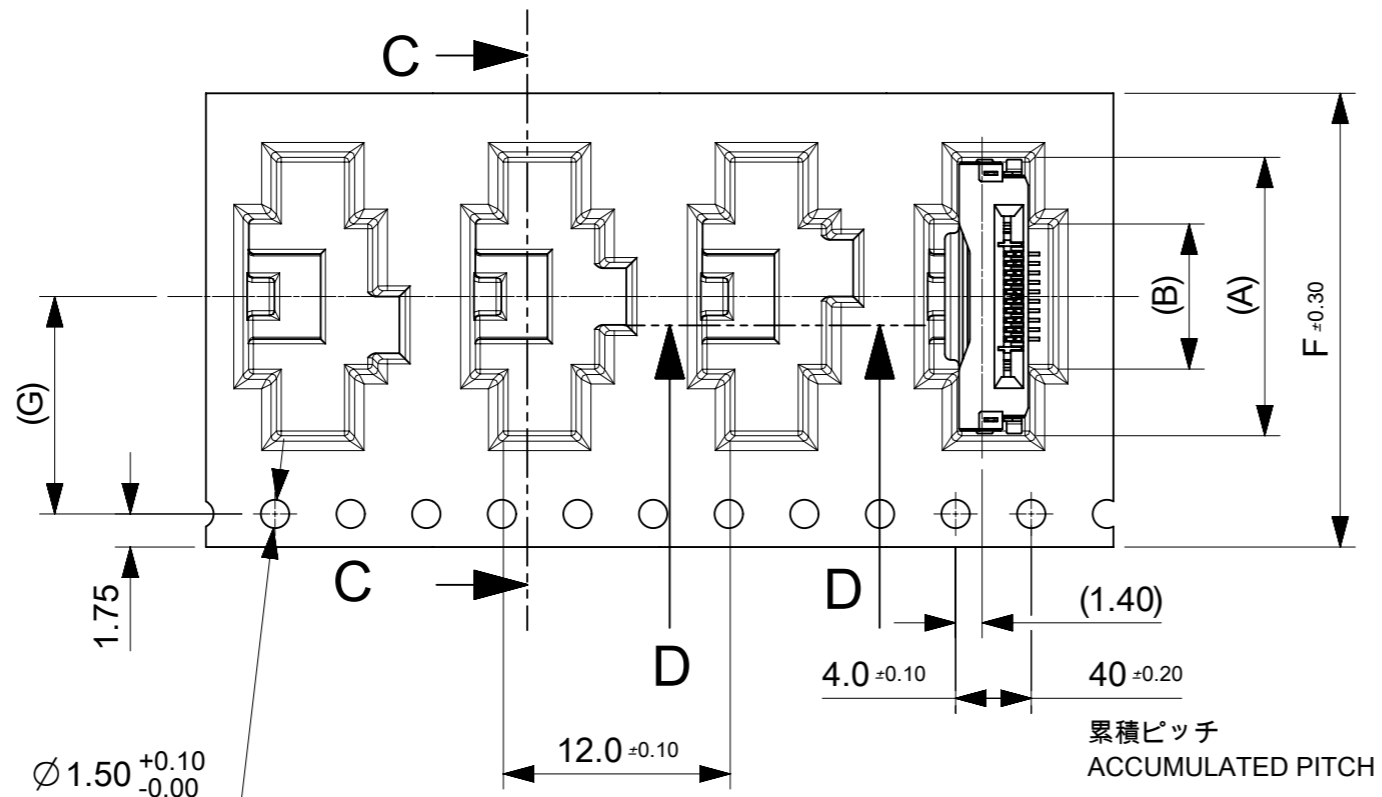
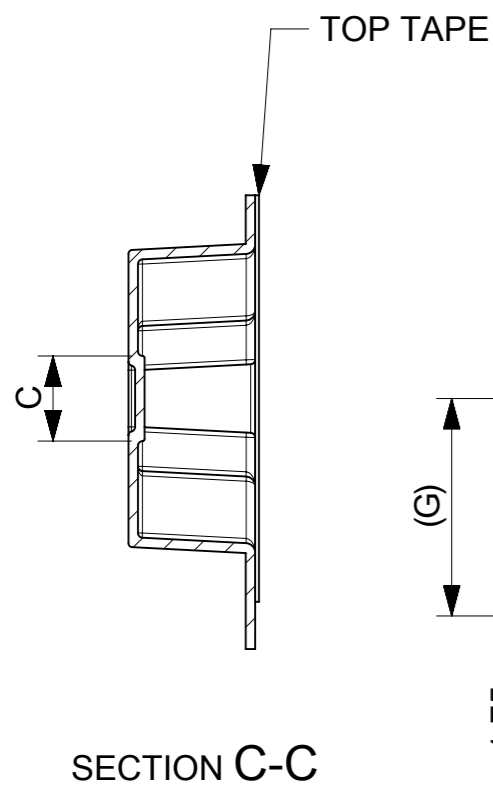
- 梱包数量 : 1200個 / リール  
NUMBER OF CONNECTORS : 1200 PCS/REEL.
- リードテープ長さ  
LEAD TAPE LENGTH



- カバーテープの剥離強度については、IEC60286-3に準拠。  
TOP TAPE PEEL FORCE IS DEFINED BY IEC 60286-3.
- 製品詳細寸法については、図面 2004851500を参照下さい。  
FOR DIMENSIONS OF PRODUCT, REFER TO 2004851500
- 材料 MATERIAL  
キャリアテープ : ポリスチレン  
CARRIER TAPE : POLYSTYRENE  
トップテープ : ポリエチレンテレフタレート、ポリエチレン  
TOP TAPE : POLYETHYLENE TEREPHTHALATE, POLYETHYLENE  
リール : ポリスチレン<リサイクル材を含む>  
REEL : POLYSTYRENE RECYCLED MATERIAL CONTAINED
- ELV及びRoHS適合品 ELV AND RoHS COMPLIANT.

THIS DRAWING CONTAINS INFORMATION THAT IS PROPRIETARY TO MOLEX ELECTRONIC TECHNOLOGIES, LLC AND SHOULD NOT BE USED WITHOUT WRITTEN PERMISSION		CURRENT REV DESC:		<b>molex</b>	
DIMENSION UNITS	SCALE				
mm	NTS			EMB PKG ONE-TOUCH ST	
GENERAL TOLERANCES (UNLESS SPECIFIED)				PRODUCT CUSTOMER DRAWING	
ANGULAR TOL	± 1.0 °			DOCUMENT NUMBER	
4 PLACES	± 0.1	EC NO: 648126		2004850500	
3 PLACES	± 0.1	DRWN: TYAMANE		PSD	
2 PLACES	± 0.1	2020/10/15		000	
1 PLACE	± 0.1	CHK'D: YMATSUMOTO		C	
0 PLACES	± 0.1	2020/10/30			
DRAFT WHERE APPLICABLE MUST REMAIN WITHIN DIMENSIONS		APP'R: SHOSHIKAWA		REVISION	
THIRD ANGLE PROJECTION		INITIAL REVISION:			
DRAWING		DRWN: TYAMANE			
SERIES		2018/09/21			
MATERIAL NUMBER		APP'R: RTAKEUCHI			
CUSTOMER		2019/09/27			
SHEET NUMBER		A3-SIZE		1 OF 3	
		200485			
		SEE TABLE			
		GENERAL			

引き出し方向  
PULL OUT  
DIRECTION

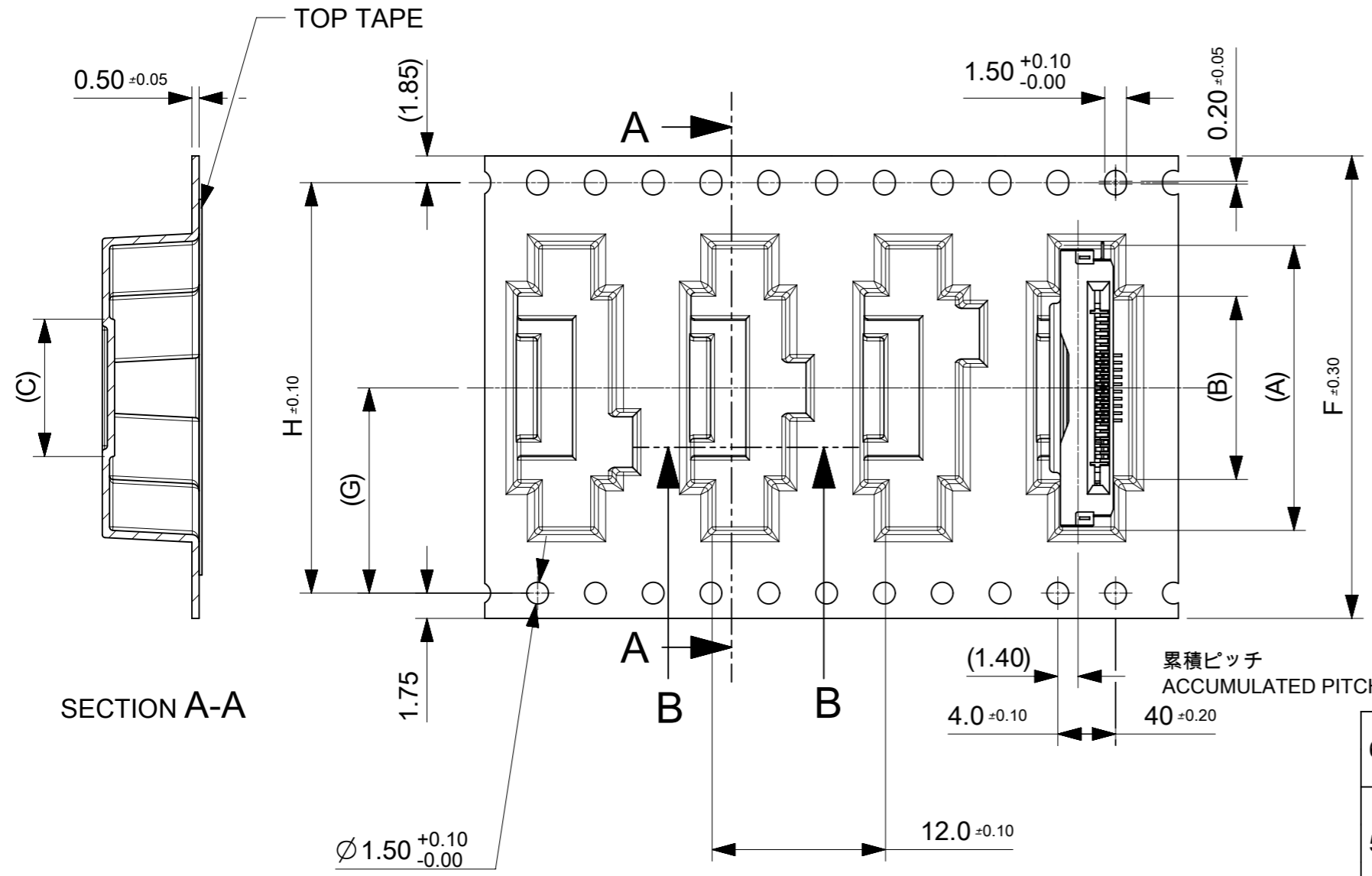


11.5	24	29.4	25.4	4.5	7.65	14.7	2004850510	10
G	F	E	D	C	B	A	EMBOSSED PACKAGE	Ckt
							オーダー番号 ORDER NO.	

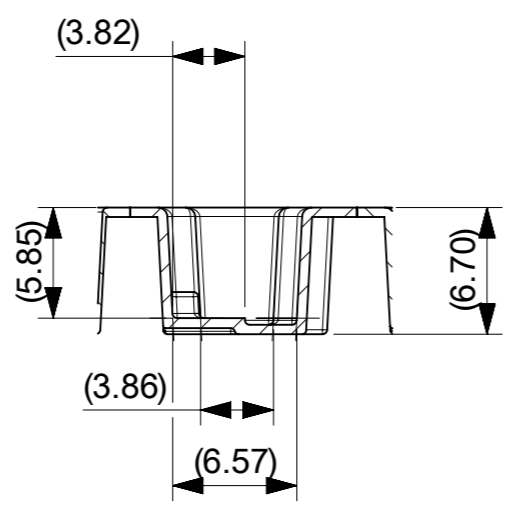
THIS DRAWING CONTAINS INFORMATION THAT IS PROPRIETARY TO MOLEX ELECTRONIC TECHNOLOGIES, LLC AND SHOULD NOT BE USED WITHOUT WRITTEN PERMISSION		CURRENT REV DESC:		<b>molex</b>	
DIMENSION UNITS	SCALE				
mm	NTS			EMB PKG ONE-TOUCH ST	
GENERAL TOLERANCES (UNLESS SPECIFIED)				PRODUCT CUSTOMER DRAWING	
ANGULAR TOL	± 1.0 °			DOCUMENT NUMBER	
4 PLACES	± 0.1	EC NO: 648126		2004850500	
3 PLACES	± 0.1	DRWN: TYAMANE 2020/10/15		DOC TYPE	
2 PLACES	± 0.1	CHK'D: YMATSUMOTO 2020/10/30		DOC PART	
1 PLACE	± 0.1	APPR: SHOSHIKAWA 2020/11/02		REVISION	
0 PLACES	± 0.1	INITIAL REVISION:		C	
DRAFT WHERE APPLICABLE MUST REMAIN WITHIN DIMENSIONS		THIRD ANGLE PROJECTION		MATERIAL NUMBER	
		DRAWING		CUSTOMER	
		A3-SIZE		GENERAL	
		SERIES		SHEET NUMBER	
		200485		2 OF 3	

CONNECTOR NO. 20048515\*\*

引き出し方向  
PULL OUT  
DIRECTION



SECTION A-A



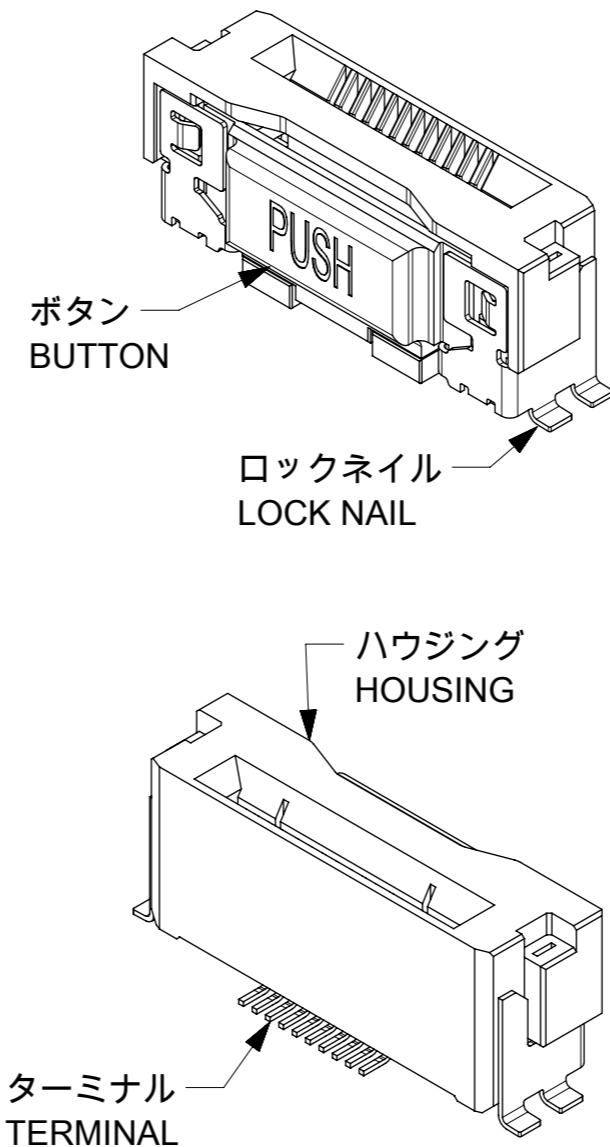
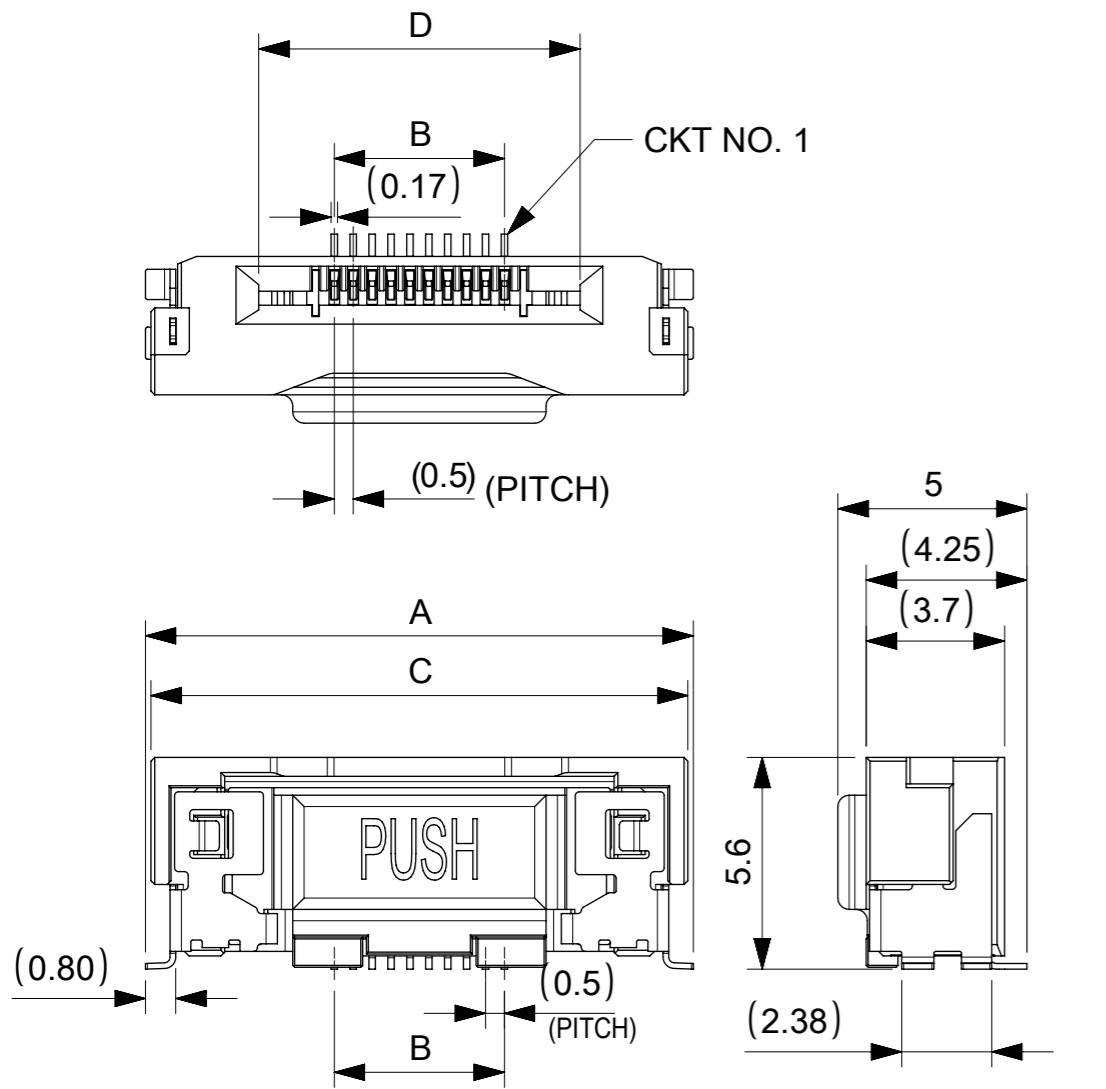
SECTION B-B

CONNECTOR NO. 20048515\*\*

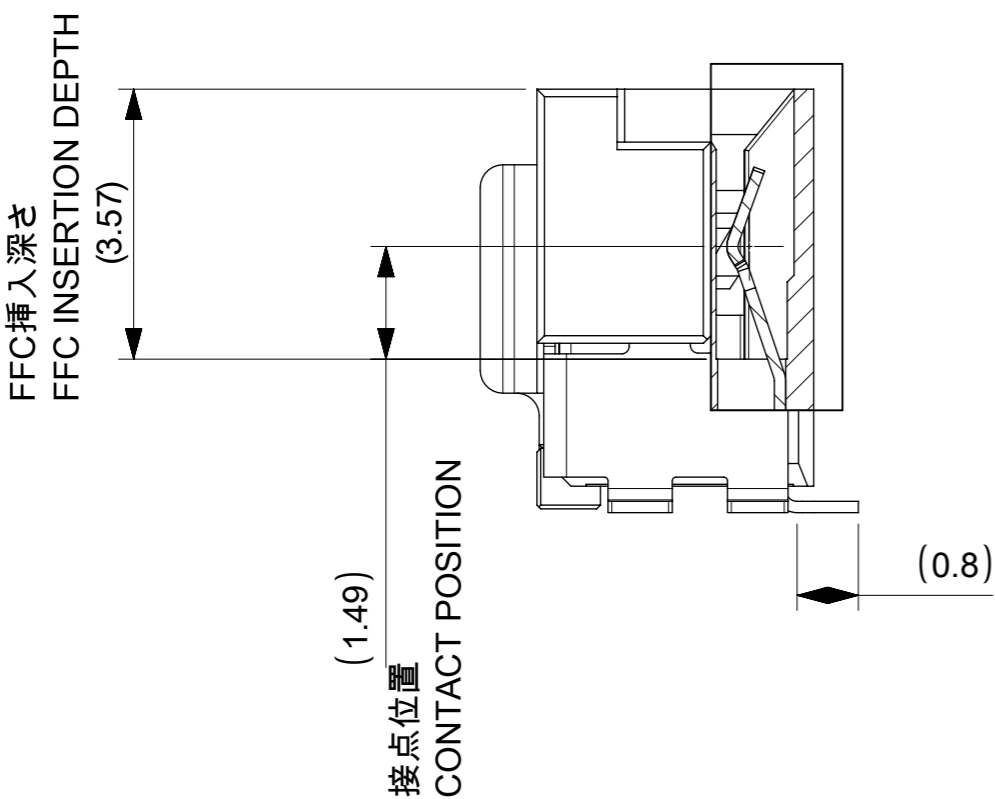
68.4	34.2	72	78.1	73.5	39.5	42.65	49.7	2004850580	80
					34.5	37.65	44.7	2004850570	70
52.4	26.2	56	61.4	75.4	29.5	32.65	39.7	2004850560	60
					25	28.15	35.2	2004850551	51
40.4	20.2	44	49.4	45.4	24.5	27.65	34.7	2004850550	50
					19.5	22.65	29.7	2004850540	40
					17	20.15	27.2	2004850535	35
28.4	14.2	32	37.4	33.4	14.5	17.65	24.7	2004850530	30
					9.5	12.65	19.7	2004850520	20
H	G	F	E	D	C	B	A	EMBOSSED PACKAGE オーダー番号 ORDER NO.	Ckt

THIS DRAWING CONTAINS INFORMATION THAT IS PROPRIETARY TO MOLEX ELECTRONIC TECHNOLOGIES, LLC AND SHOULD NOT BE USED WITHOUT WRITTEN PERMISSION

DIMENSION UNITS	SCALE	CURRENT REV DESC:		<b>molex</b>	
mm	NTS				
GENERAL TOLERANCES (UNLESS SPECIFIED)		EC NO: 648126		EMB PKG ONE-TOUCH ST	
ANGULAR TOL ± 1.0°		DRWN: TYAMANE 2020/10/15		PRODUCT CUSTOMER DRAWING	
4 PLACES ± 0.1		CHK'D: YMATSUMOTO 2020/10/30		DOCUMENT NUMBER	
3 PLACES ± 0.1		APPR: SHOSHIKAWA 2020/11/02		2004850500	
2 PLACES ± 0.1		INITIAL REVISION:		DOC TYPE	
1 PLACE ± 0.1		DRWN: TYAMANE 2018/09/21		PSD	
0 PLACES ± 0.1		APPR: RTAKEUCHI 2019/09/27		DOC PART	
DRAFT WHERE APPLICABLE MUST REMAIN WITHIN DIMENSIONS		THIRD ANGLE PROJECTION		REVISION	
		DRAWING		C	
		SERIES		SHEET NUMBER	
		A3-SIZE		3 OF 3	
		200485		MATERIAL NUMBER	
		SEE TABLE		CUSTOMER	
		GENERAL			



NOTES:  
 1.使用材料 MATERIAL  
 ハウジング：液晶ポリマー，ガラス充填，UL94V-0(黒)  
 HOUSING：LIQUID CRYSTAL POLYMER, GLASS FILLED, UL94V-0(BLACK)  
 ボタン：液晶ポリマー，ガラス充填，UL94V-0(ナチュラル)  
 BUTTON：LIQUID CRYSTAL POLYMER, GLASS FILLED, UL94V-0(NATURAL)  
 ターミナル：銅合金(t=0.15)  
 TERMINAL：COPPER ALLOY  
 ロックネイル：銅合金(t=0.15)  
 LOCK NAIL：COPPER ALLOY  
 2.めっき仕様 PLATING  
 ターミナル TERMINAL  
 接点部：金めっき 0.1μm以上  
 CONTACT AREA：GOLD 0.1 MICROMETER MINIMUM  
 半田付け部：金めっき  
 SOLDER TAIL AREA：GOLD  
 下地めっき：ニッケル 1.0μm以上  
 UNDERPLATE：NICKEL 1.0 MICROMETER MINIMUM  
 ロックネイル LOCK NAIL  
 錫めっき(1.0μm以上)  
 TIN PLATING (1.0 MICROMETER MIN.)  
 3.平坦度は0.1ミリ以下とする。  
 COPLANALITY TO BE 0.1 MAXIMUM.



1.301	43.5	49.2	39.5	49.49	2004850580	80
1.194	38.5	44.2	34.5	44.49	2004850570	70
1.053	33.5	39.2	29.5	39.49	2004850560	60
0.958	29	34.7	25	34.99	2004850551	51
0.942	28.5	34.2	24.5	34.49	2004850550	50
0.796	23.5	29.2	19.5	29.49	2004850540	40
0.702	21	26.7	17	26.99	2004850535	35
0.650	18.5	24.2	14.5	24.49	2004850530	30
0.504	13.5	19.2	9.5	19.49	2004850520	20
0.358	8.5	14.2	4.5	14.49	2004850510	10
NET WEIGHT (g)	D	C	B	A	EMBOSSED PACKAGE	CIRCUIT
CONNECTOR SERIES NO. 20048515**						

THIS DRAWING CONTAINS INFORMATION THAT IS PROPRIETARY TO MOLEX ELECTRONIC TECHNOLOGIES, LLC AND SHOULD NOT BE USED WITHOUT WRITTEN PERMISSION

DIMENSION UNITS	SCALE	CURRENT REV DESC:		<b>molex</b>		
mm	5:1					
GENERAL TOLERANCES (UNLESS SPECIFIED)				0.5FFC CONN. ST ONE TOUCH ASS'Y		
ANGULAR TOL	± 1.0°			PRODUCT CUSTOMER DRAWING		
4 PLACES	± 0.1	EC NO: 674194		DOCUMENT NUMBER		
3 PLACES	± 0.1	DRWN: AHMADI2	2021/08/18	DOC TYPE DOC PART REVISION		
2 PLACES	± 0.1	CHK'D: TKON	2021/08/19	2004851500 PSD 000 E		
1 PLACE	± 0.1	APPR: SHOSHIKAWA	2021/08/19			
0 PLACES	± 0.1	INITIAL REVISION:				
DRAFT WHERE APPLICABLE MUST REMAIN WITHIN DIMENSIONS		DRWN: TYAMANE	2018/07/12			
THIRD ANGLE PROJECTION		APPR: RTAKEUCHI	2019/09/27			
DRAWING		SERIES	MATERIAL NUMBER	CUSTOMER		SHEET NUMBER
A3-SIZE		200485	SEE TABLE	GENERAL		1 OF 2

