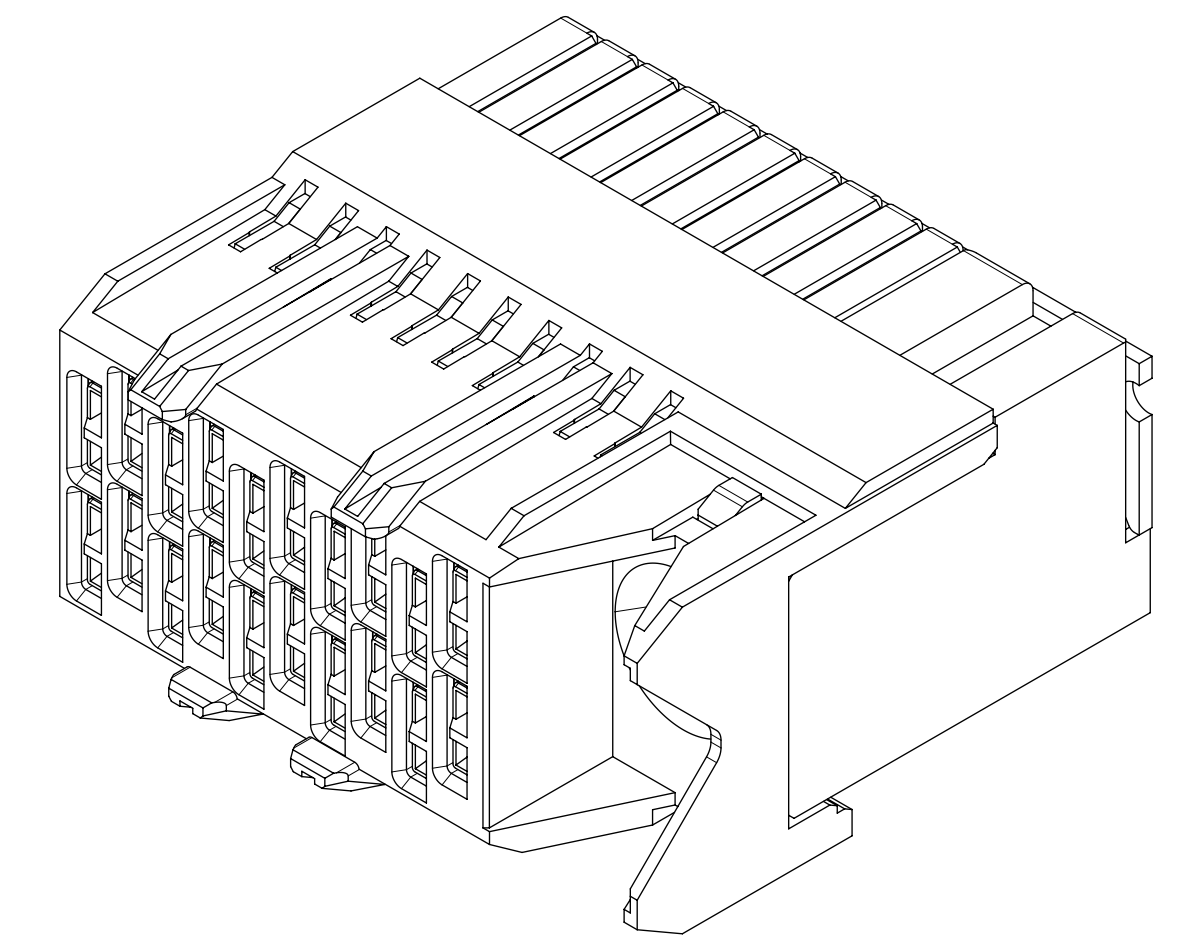


- NOTES:
1. MATERIALS: HOUSING - LIQUID CRYSTAL POLYMER (LCP) GLASS-FILLED, UL94V-0
TERMINALS - HIGH PERFORMANCE COPPER ALLOY
 2. FINISH: 30uIN GOLD IN CONTACT AREA.
SELECTIVE TIN ON PCB TAILS.
NICKEL OVERALL.
 3. REFER TO MOLEX PRODUCT SPECIFICATION PS-171320-999 FOR PERFORMANCE SPECIFICATIONS.
 4. THIS PART CONFORMS TO CLASS B REQUIREMENTS OF MOLEX COSMETIC SPEC PS-45499-002.
 5. PRODUCT WILL BE PACKAGED PER PK-78888-313.
 6. SEE SHEET 2 FOR HOLE PATTERN DIMENSIONS.
 7. MATES WITH IMPEL BP SERIES NUMBER 171745.
 8. REFER TO IMPEL PCB ROUTING GUIDE AS-171320-990 FOR ANTIPAD, ROUTING RECOMMENDATIONS, AND ADDITIONAL PCB INFORMATION.
 9. WHEN STACKING MODULES END TO END, THE MINIMUM COLUMN TO COLUMN HOLE SPACING IS 2.65mm.
 10. WHEN USING THE SUPPLIED 2-32 THREAD FORMING SCREW (73726-4000), THE MAXIMUM RECOMMENDED BOARD THICKNESS IS 2.4mm.



THIS DRAWING CONTAINS INFORMATION THAT IS PROPRIETARY TO MOLEX ELECTRONIC TECHNOLOGIES, LLC AND SHOULD NOT BE USED WITHOUT WRITTEN PERMISSION

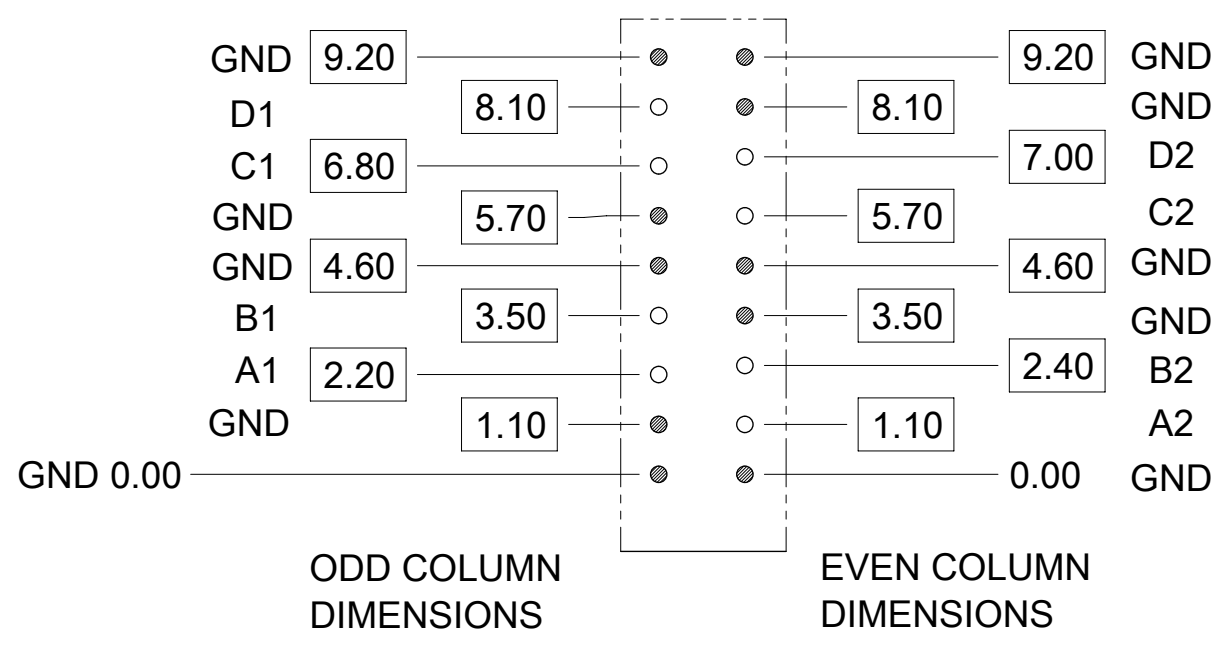
MIGRATED EC NO: 177983 DRWN: SKANG CHKD: CYLIAW REV / APPR: DWLEED1	GENERAL TOLERANCES (UNLESS SPECIFIED)		DIMENSION UNITS	SCALE			
	ANGULAR TOL ± 0.5 °		MM	4:1			
	4 PLACES ±	DRWN BY	DATE				
	3 PLACES ±	JLAURX	2012/12/06				
2 PLACES ± 0.13	CHKD BY	DATE		IMPEL DAUGHTERCARD ASSY 2 PAIR - 1.9MM PITCH GUIDE RIGHT SALES DWG			
1 PLACE ± 0.25	CYLIAW						
0 PLACES ±	APPR BY	DATE					
	JBINGHAM	2014/12/18					
DRAFT WHERE APPLICABLE MUST REMAIN WITHIN DIMENSIONS		DRAWING SIZE	THIRD ANGLE PROJECTION		PRODUCT CUSTOMER DRAWING		
		C			SERIES	MATERIAL NUMBER	CUSTOMER
					171750	SEE CHART	GENERAL MARKET
					DOCUMENT NUMBER	DOC TYPE	DOC PART SHEET NUMBER
					SD-171750-0004	PSD	001 1 OF 2

MATERIAL NUMBER	NUMBER OF COLUMNS	NUMBER OF DIFF PAIR	DIM "A"	DIM "B"
171750-5038	8	16	23.40 MAX	13.30
171750-5020	10	20	27.20 MAX	17.10
171750-5022	12	24	31.00 MAX	20.90
171750-5026	16	32	38.60 MAX	28.50

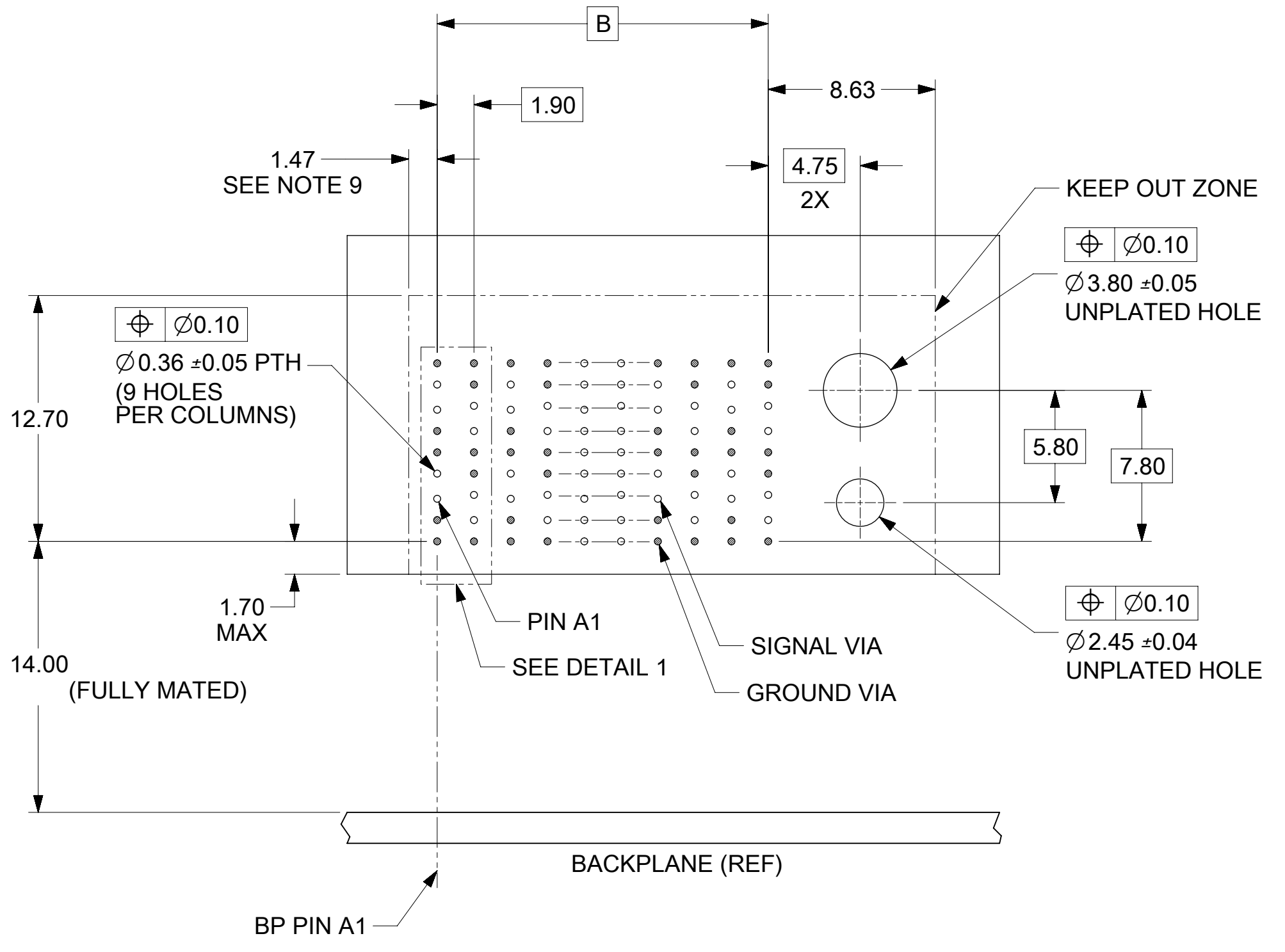
171750-50**

MODULE TYPE
5 = GUIDE RIGHT

COLUMN SIZE
38 = 8 COLUMN
20 = 10 COLUMN
22 = 12 COLUMN
26 = 16 COLUMN



DETAIL 1
SCALE 6:1



DAUGHTERCARD HOLE PATTERN (CONNECTOR SIDE)

THIS DRAWING CONTAINS INFORMATION THAT IS PROPRIETARY TO MOLEX ELECTRONIC TECHNOLOGIES, LLC AND SHOULD NOT BE USED WITHOUT WRITTEN PERMISSION												
MIGRATED EC NO: 177983 DRWN: SKANG CHKD: CYLIAW REV / APPR: DWLE01	GENERAL TOLERANCES (UNLESS SPECIFIED)						DIMENSION UNITS	SCALE	molex			
	ANGULAR TOL ± 0.5 °						MM	4:1				
	4 PLACES ±		JLAURX				DATE		2012/12/06			
	3 PLACES ±		CHKD BY				DATE		CYLIAW			
	2 PLACES ± 0.13		APPR BY				DATE		JBINGHAM 2014/12/18			
	1 PLACE ± 0.25		DRAWING SIZE				THIRD ANGLE PROJECTION		SERIES MATERIAL NUMBER CUSTOMER			
0 PLACES ±		C				171750		SEE CHART		GENERAL MARKET		
DRAFT WHERE APPLICABLE MUST REMAIN WITHIN DIMENSIONS						DOCUMENT NUMBER		DOC TYPE		DOC PART SHEET NUMBER		
B1						SD-171750-0004		PSD		001 2 OF 2		