

Panel mounting frames - CUC-V14-F1ZNI-EM/R4F8 - 1413961


Please be informed that the data shown in this PDF Document is generated from our Online Catalog. Please find the complete data in the user's documentation. Our General Terms of Use for Downloads are valid (<http://phoenixcontact.com/download>)



RJ45 panel mounting frame, IP67, for push-pull interlocking, metal, for rectangular mounting cutout, with seal and mounting screws, incl. RJ45 insert with IDC cable connection



Key Commercial Data

Packing unit	1 pc
GTIN	 4 055626 082196
GTIN	4055626082196

Technical data

Mechanical characteristics

Number of positions	8
Number of slots	1
Connection profile	RJ45
Locking type	Push Pull
Insertion/withdrawal cycles	≥ 750
Connection method	IDC connection
Connection cross section AWG	26 ... 22 (solid) 26 ... 22 (flexible)
External cable diameter	4.5 mm ... 9 mm
Tightening torque, min.	0.5 Nm
Tightening torque max.	0.75 Nm
Screw thread	M3
Wire diameter	0.4 mm ... 0.65 mm
Wire diameter including insulation	0.8 mm ... 1.6 mm
Insulation resistance	> 500 MΩ (100 V DC)
Degree of protection	IP65/IP67
Type	RJ45, IP65/67, version 14

Panel mounting frames - CUC-V14-F1ZNI-EM/R4F8 - 1413961

Technical data

Mechanical characteristics

Note	This product corresponds to the PROFINET Cabling and Interconnection Technology Guideline for PROFINET regulations, version 2.00, order no: 2.252, Chapter 8.2 Connectors for Outside Environment (Balanced cabling) and chapter 13 Application specific Cabling and Interconnection Technology (AIDA)
------	--

Ambient conditions

Ambient temperature (operation)	-10 °C ... 60 °C
Ambient temperature (assembly)	-5 °C ... 55 °C
Ambient temperature (storage/transport)	-40 °C ... 70 °C

Material data

Flammability rating according to UL 94	V0
Housing material	Zinc die-cast
Housing surface material	Nickel-plated
Material	Metal
Seal material	NBR
Height	42 mm

Electrical characteristics

Number of positions	8
GRP transmission properties	CAT6 _A
Transmission speed	10 Gbps
Frequency range	500 MHz
Degree of pollution	2
Rated voltage (III/3)	72 V (DC)

Standards and Regulations

Flammability rating according to UL 94	V0
--	----

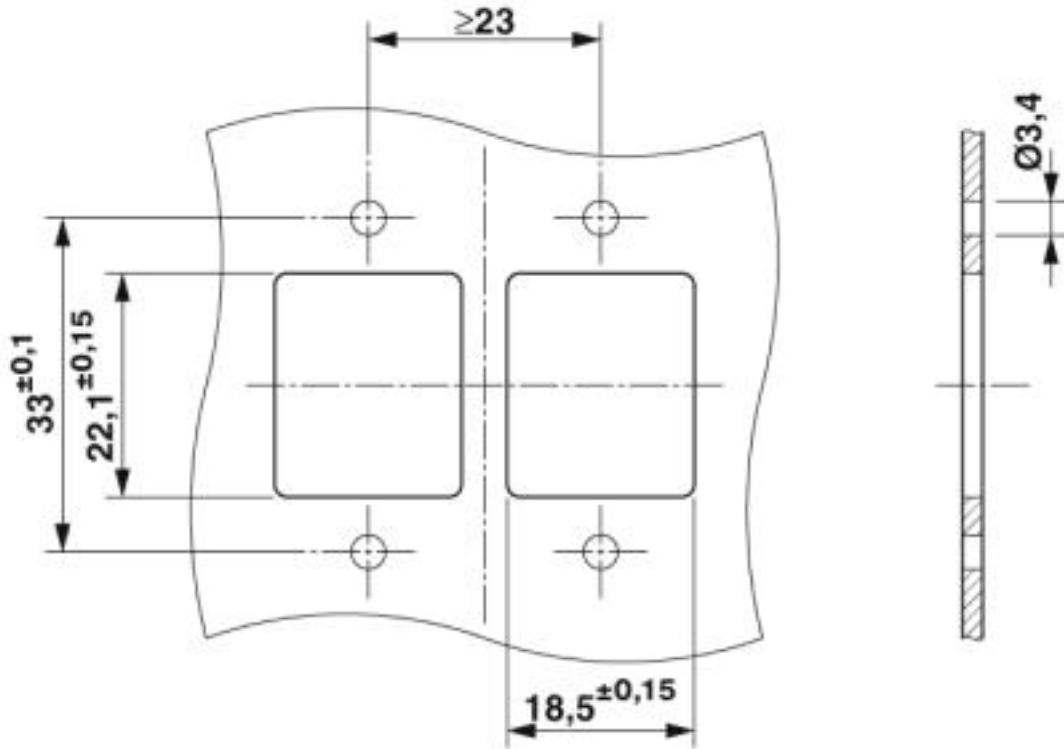
Environmental Product Compliance

China RoHS	Environmentally friendly use period: unlimited = EFUP-e
	No hazardous substances above threshold values

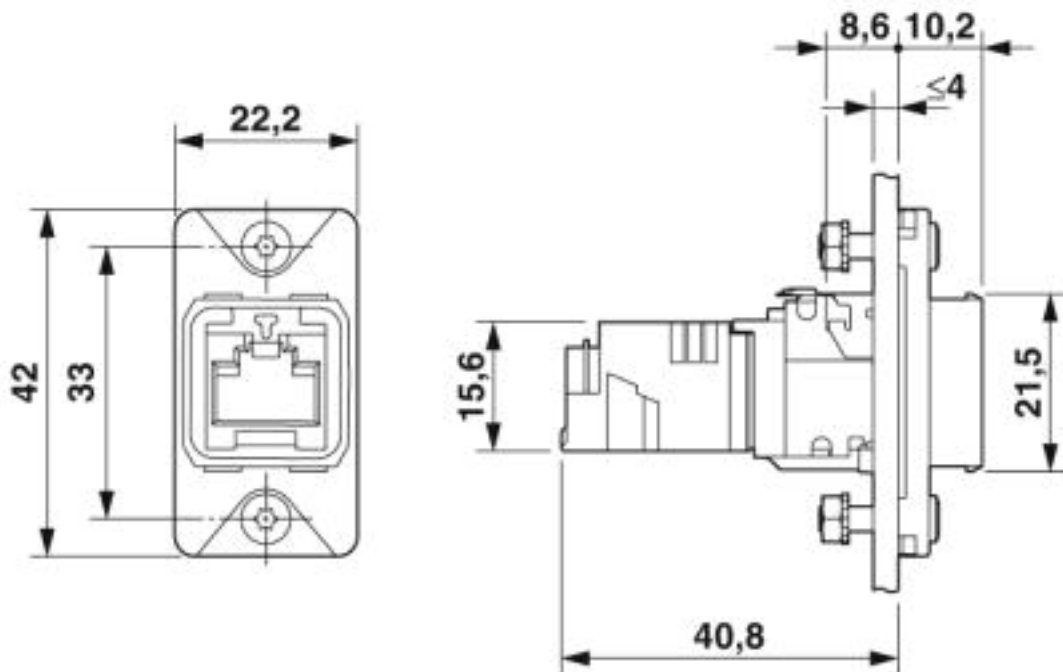
Drawings

Panel mounting frames - CUC-V14-F1ZNI-EM/R4F8 - 1413961

Drilling diagram



Dimensional drawing



Panel mounting frames - CUC-V14-F1ZNI-EM/R4F8 - 1413961

Approvals


Approvals

Approvals

cULus Recognized

Ex Approvals

Approval details

cULus Recognized			http://database.ul.com/cgi-bin/XYV/template/LISEXT/1FRAME/index.htm E335024-20160727
Nominal voltage UN		56.5 V	
Nominal current IN		0.175 A	

Phoenix Contact 2019 © - all rights reserved
<http://www.phoenixcontact.com>

PHOENIX CONTACT GmbH & Co. KG
Flachsmarktstr. 8
32825 Blomberg
Germany
Tel. +49 5235 300
Fax +49 5235 3 41200
<http://www.phoenixcontact.com>