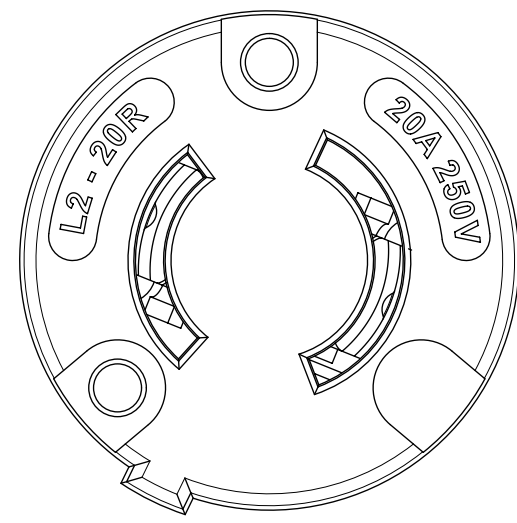
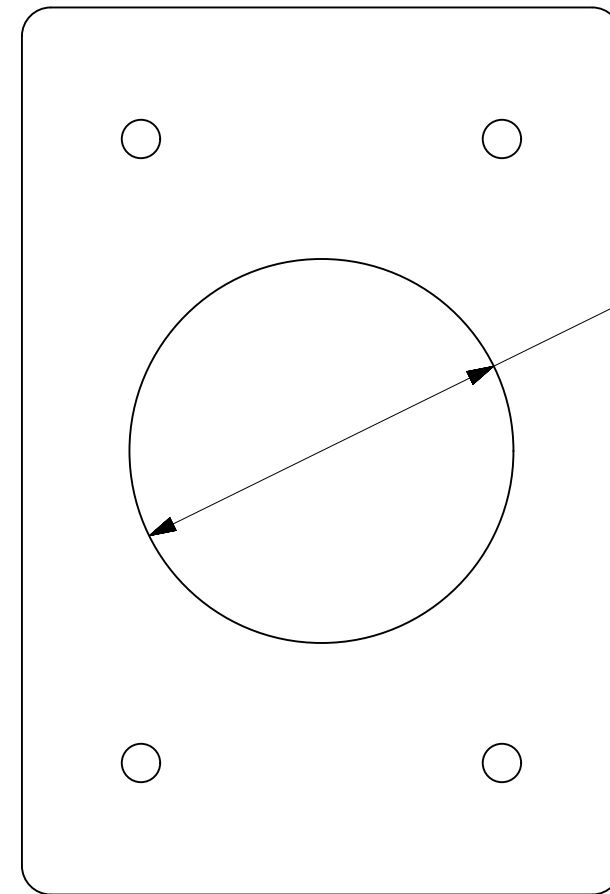
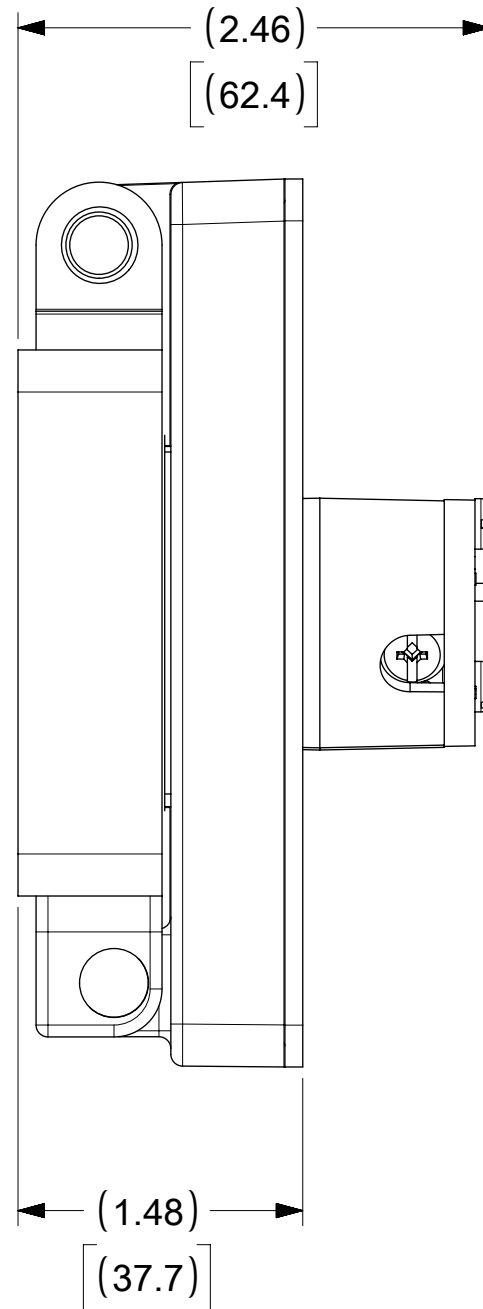
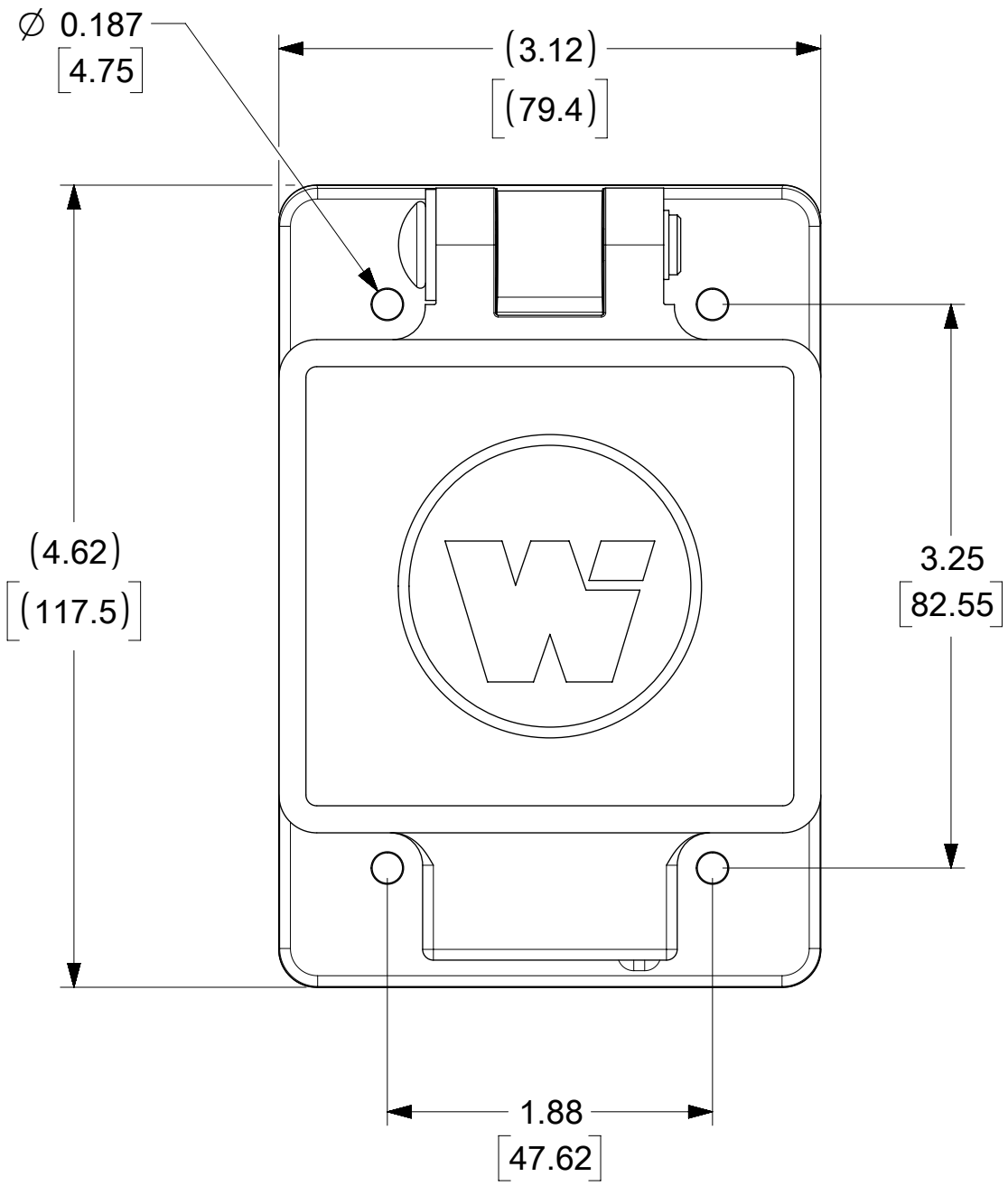
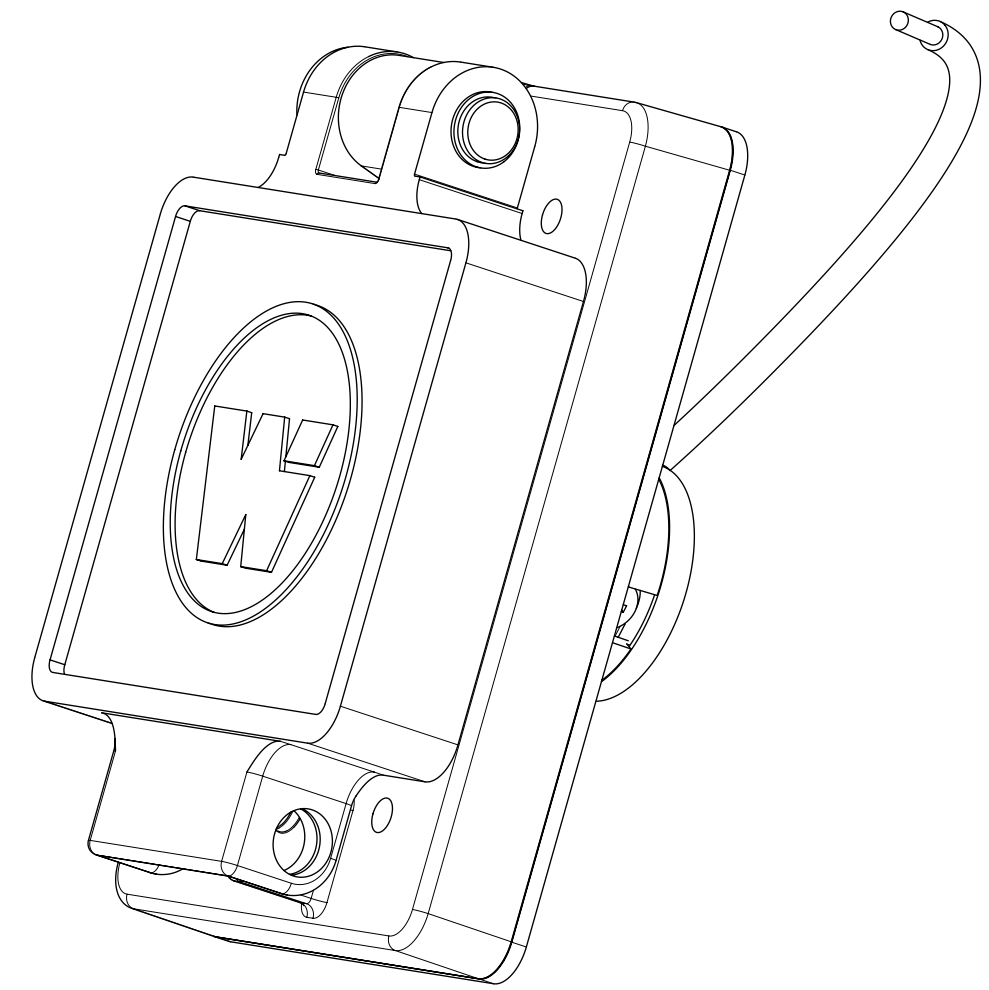


ORDER NO.	WOODHEAD NO.	COLOR
130146-0156	67W07	YELLOW



FACE VIEW



CLEARANCE HOLE
(FOR PANEL MOUNT)

DESCRPITION	MATERIAL	QTY.
BLADES	BRASS, NICKEL PLATED	3
RETAINING SCREWS	STAINLESS STEEL	3
CLAMP AND TERMINAL SCREW ASSY.	BRASS, ZINC PLATED	3
FEMALE INSERT	NYLON	1
TERMINAL COVER	POLYCARBONATE	1
COVER ASSEMBLY	POLYCARBONATE, STAINLESS STEEL, ALUMINUM	1
GASKET FLIP	NEOPRENE	1
SUPPORT PLATE	STAINLESS STEEL	1
SCREW (GROUND WIRE)	STAINLESS STEEL	1
JUMPER WIRE ASSY	COPPER, BRASS (TINNED FINISH)	1

THIS DRAWING CONTAINS INFORMATION THAT IS PROPRIETARY TO MOLEX ELECTRONIC TECHNOLOGIES, LLC AND SHOULD NOT BE USED WITHOUT WRITTEN PERMISSION									
SYMBOLS		DIMENSION UNITS		SCALE		CURRENT REV DESC: MIGRATE TO ECTR/NX			
∇ = 0	INCH	MM	NTS			molex WATERTITE FS COVERPLATE 2P2W L2-20 PRODUCT CUSTOMER DRAWING			
∇ = 0	GENERAL TOLERANCES (UNLESS SPECIFIED)								
∇ = 0	4 PLACES ±	MM	INCH			EC NO: 613511 DRWN: SRPATIL 2018/12/18 CHK'D: DNGUYEN62 2019/03/12 APPR: HKNEELAND 2019/03/21			
∇ = 0	3 PLACES ±					INITIAL REVISION: DRWN: SRPATIL 2018/12/18 APPR: HKNEELAND 2019/03/21			
∇ = 0	2 PLACES ±					DOCUMENT NUMBER 1301460156		DOC TYPE DOC PART REVISION PSD 000 A	
∇ = 0	1 PLACE ±					MATERIAL NUMBER SEE TABLE		CUSTOMER GENERAL MARKET	
∇ = 0	0 PLACES ±					THIRD ANGLE PROJECTION DRAFT WHERE APPLICABLE MUST REMAIN WITHIN DIMENSIONS		SHEET NUMBER 1 OF 1	
∇ = 0	ANGULAR TOL ± °					C-SIZE 130146			