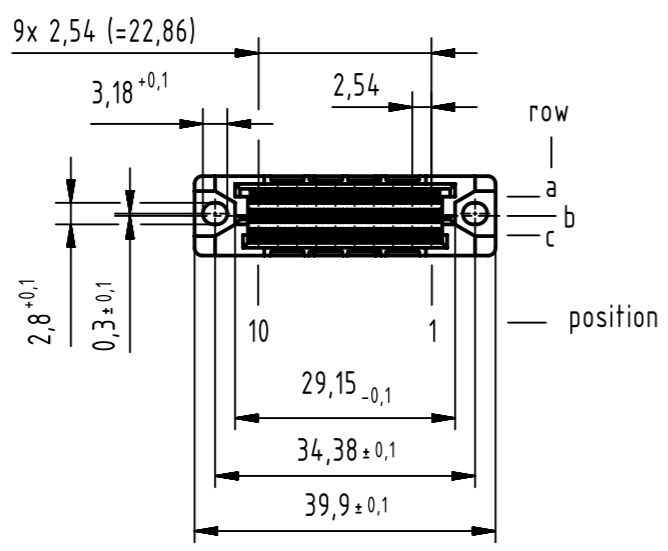
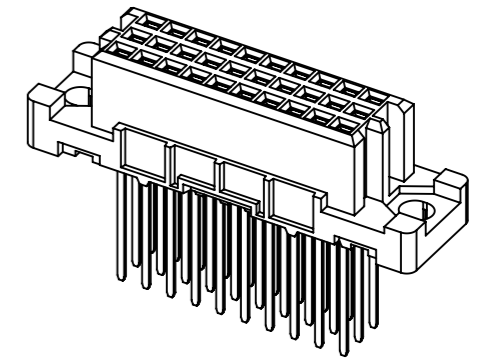
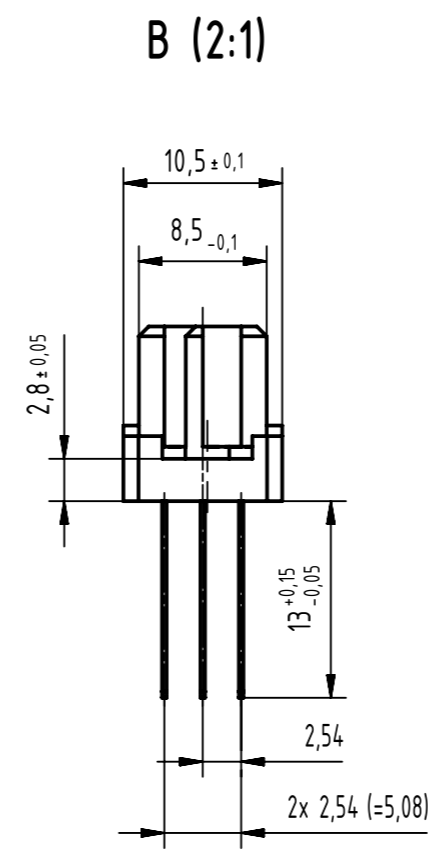
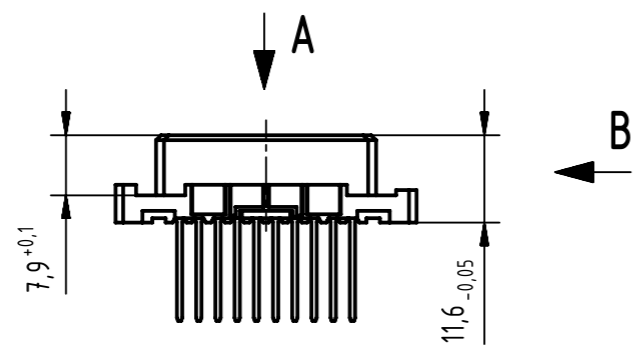


30 solder contacts

☒ = position with contact

☐ = position without contact



① further information see: DS 09032100001

09 25 230 6421	2
part-no	performance level ①

	All Dimensions in mm Original Size DIN A3		Scale 1:1	Free size tol. IEC 60603-2	Ref. Sub. TB 0925230X421 / Mod.36027 / 06.04.10	
	All rights reserved Department EC PD - DE		Created by ZWAHR	Inspected by LEHNERT	Standardisation HOFFMANN	Date 2014-12-17
HARTING Electronics GmbH D-32339 Espelkamp		Title DIN Signal type 3C female solder 13.0			Doc-Key / ECM-Nr. 100174922/UGD/039/C 50000081860	
		Type TB	Number 0925230X421		Rev. C	Page 1/1