

Cable Assembly

Video Power Audio

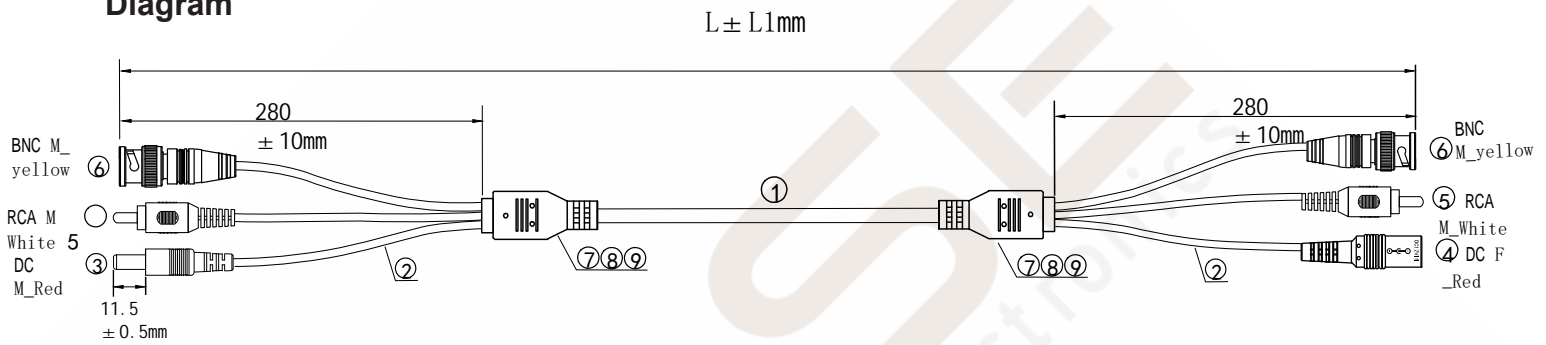
Extension Cable



Specifications

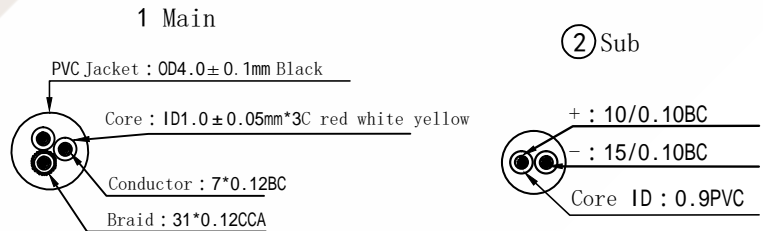
Cable Length : 60ft, 100ft, 150ft
 Connector Type A : BNC (M) + DC (M) + RCA(M)
 Connector Type B : BNC (M) + DC (F) + RCA(M)

Diagram



Part Number	L ± L1mm
W1501BRD	15240 ± 20 mm
W3101BRD	30480 ± 20 mm
W5001BRD	45720 ± 20 mm

Cable Structure:



Dimensions : Millimeter

1. Cable

[(7/0.12BC*1.0PVC yellow)+(Braid 31/0.12CCA)]+ [(7/0.12BC*1.0PVC*2C Black/Red)]
 Jacket: OD4.0mm PVC-60P Black

2. Connector Type A

BNC Male
 Soldering
 Yellow PVC Jacket
 Brass Plated Pin

Cable Assembly

Video Power Audio

Extension Cable

3. Connector Type B

2.1mm*5.5mm DC Male/Female

Soldering

Red PVC Jacket

4. Inner Molded

LDPE

5. Outer Molded

60P PVC, Black

Part Number Table

Description	Part Number
50 ft. Video Power Audio Extension Cable	W1501BRD
100 ft. Video Power Audio Extension Cable	W3101BRD
150 ft. Video Power Audio Extension Cable	W5001BRD

Important Notice : This data sheet and its contents (the "Information") belong to the members of the EASE group of companies (the "Group") or are licensed to it. No licence is granted for the use of it other than for information purposes in connection with the products to which it relates. No licence of any intellectual property rights is granted. The Information is subject to change without notice and replaces all data sheets previously supplied. The Information supplied is believed to be accurate but the Group assumes no responsibility for its accuracy or completeness, any error in or omission from it or for any use made of it. Users of this data sheet should check for themselves the Information and the suitability of the products for their purpose and not make any assumptions based on information included or omitted. Liability for loss or damage resulting from any reliance on the Information or use of it (including liability resulting from negligence or where the Group was aware of the possibility of such loss or damage arising) is excluded. This will not operate to limit or restrict the Group's liability for death or personal injury resulting from its negligence. EASE is the registered trademark of Ease Electronics Co., Limited 2019.