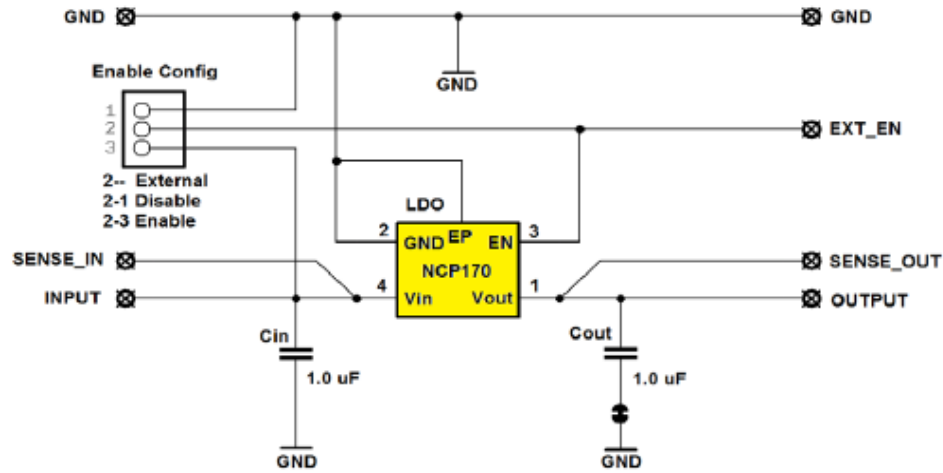




Schematic for the NCP170AMX180GEVB Evaluation Board



Programming I/F

