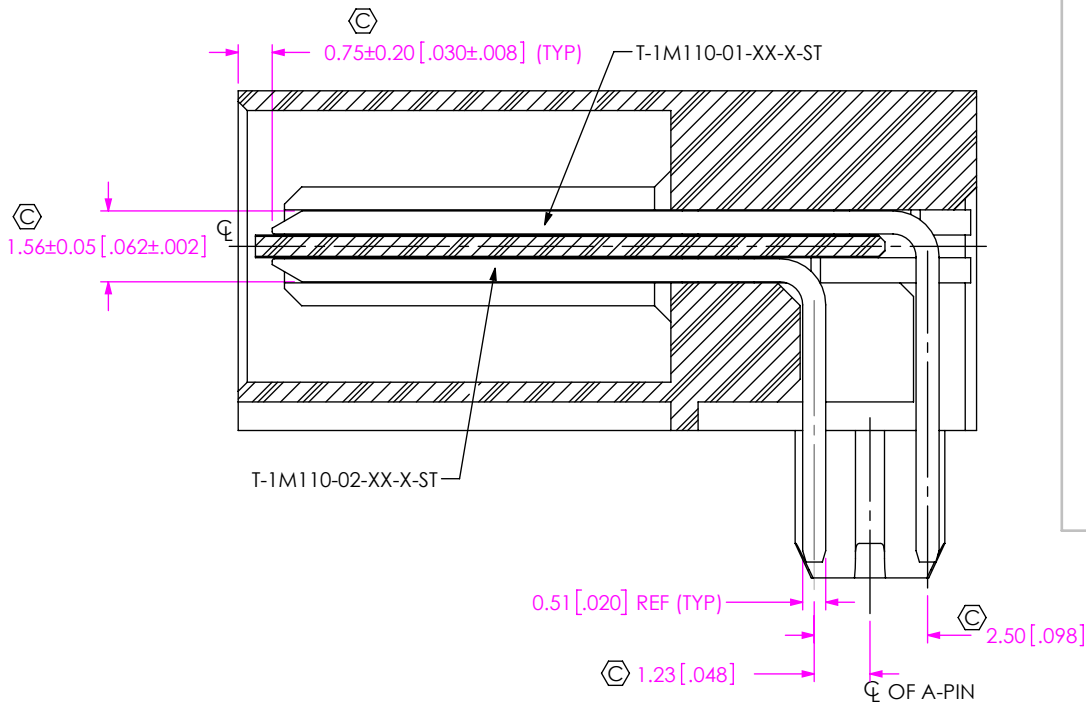


SECTION "C"-"C"
SCALE 6 : 1



SECTION "D"-"D"
SCALE 6 : 1

F:\DWG\MISC\MKTG\LPHT-XX-XX-X-RTX-XX-MKT.SLDDRW

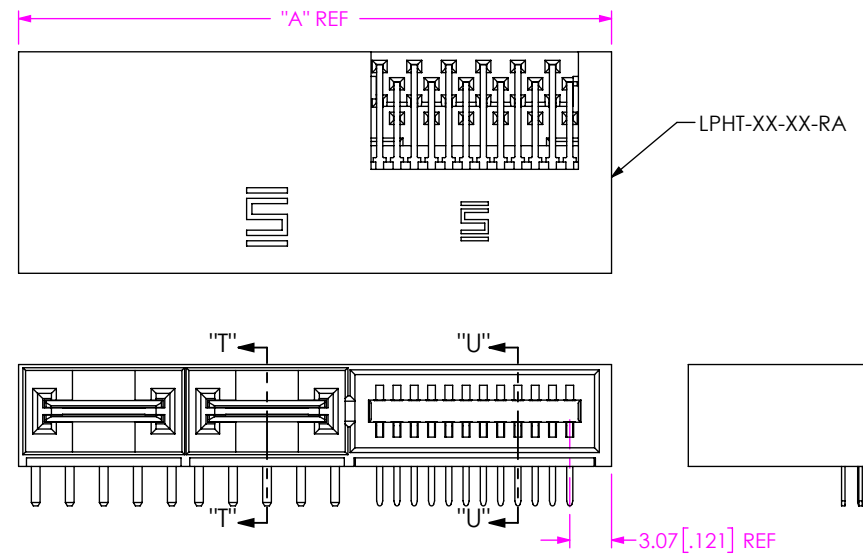
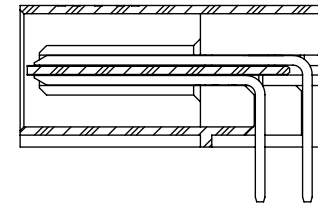
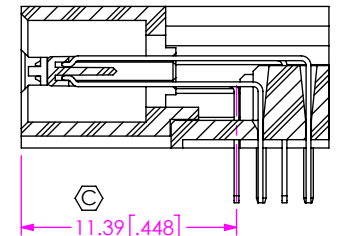


FIG 2
LPHT-04-24-X-RTX SHOWN
(DIFFERENT AS SHOWN, OTHERWISE SAME AS FIG 1)



SECTION "T"-"T"
(DIFFERENT AS SHOWN,
OTHERWISE SAME AS SECTION "D"-"D")



SECTION "U"-"U"
(DIFFERENT AS SHOWN,
OTHERWISE SAME AS SECTION "C"-"C")

PROPRIETARY NOTE

THIS DOCUMENT CONTAINS CONFIDENTIAL AND PROPRIETARY INFORMATION AND ALL DESIGN, MANUFACTURING, REPRODUCTION, USE, PATENT RIGHTS AND SALES RIGHTS ARE EXPRESSLY RESERVED BY SAMTEC, INC. THIS DOCUMENT SHALL NOT BE DISCLOSED, IN WHOLE OR PART, TO ANY UNAUTHORIZED PERSON OR ENTITY NOR REPRODUCED, TRANSFERRED OR INCORPORATED IN ANY OTHER PROJECT IN ANY MANNER WITHOUT THE EXPRESS WRITTEN CONSENT OF SAMTEC, INC.

DO NOT SCALE DRAWING

SHEET SCALE: 1:5:1

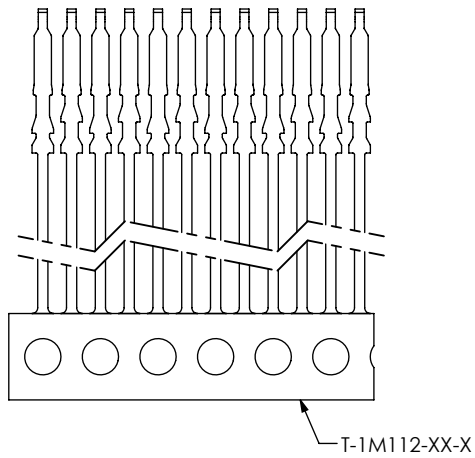


520 PARK EAST BLVD, NEW ALBANY, IN 47150
PHONE: 812-944-6733 FAX: 812-948-5047
e-Mail: info@SAMTEC.com code 55322

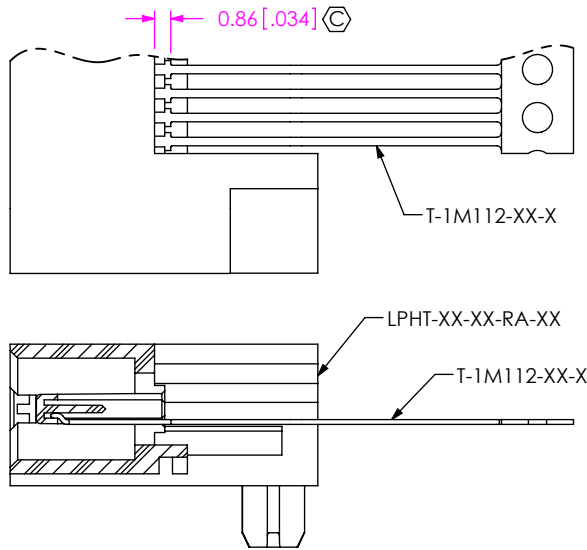
DESCRIPTION: LPHT-RA TERMINAL ASSEMBLY

DWG. NO. LPHT-XX-XX-X-RTX-XX

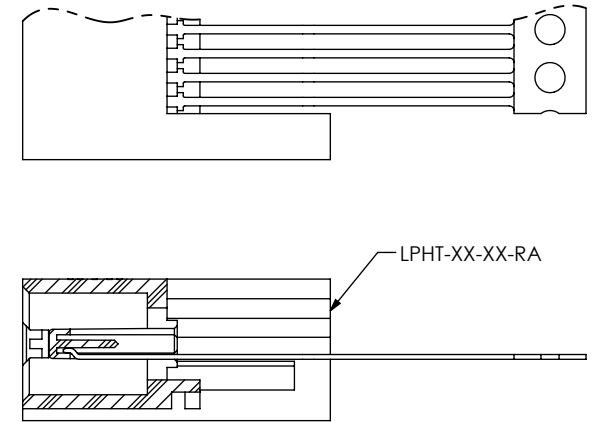
BY: ROY LUO 11/28/2011 SHEET 2 OF 8



IN-PROCESS 1
REMOVE TIE BARS FOR T-1M112-XX-X



GP OPTION



NO GP OPTION
(DIFFERENT AS SHOWN, OTHERWISE SAME AS GP OPTION)

IN-PROCESS 2
FILL SIGNAL BOTTOM ROW

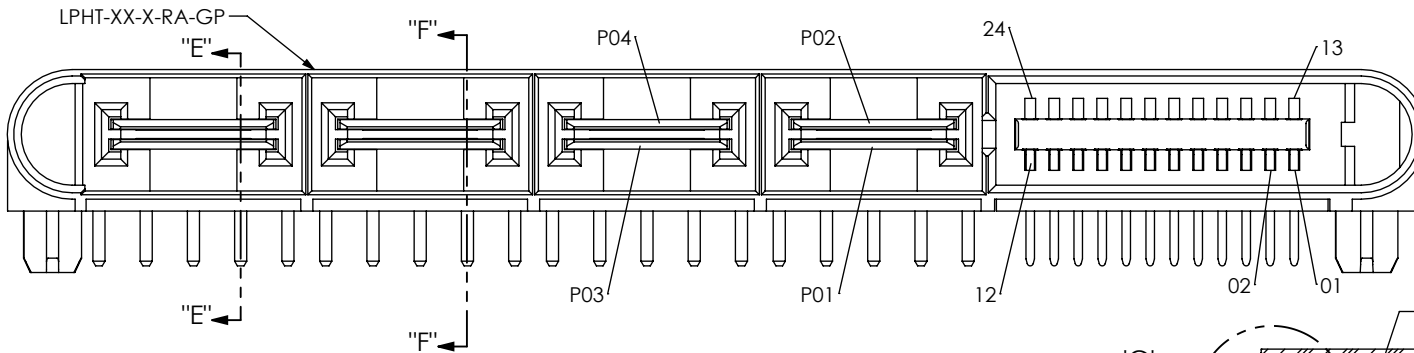
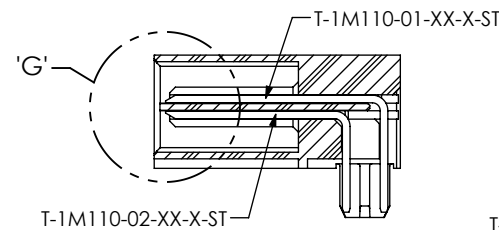
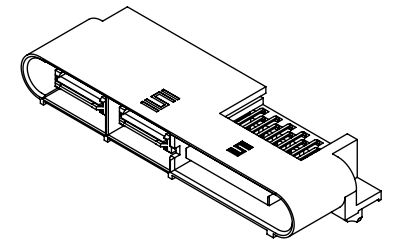
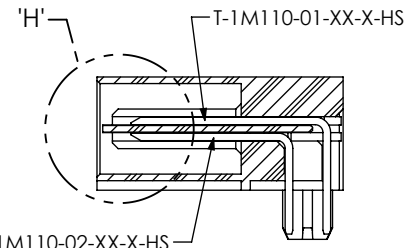


FIG 3
LPHT-08-24-X-RTX-GP-HS SHOWN
(DIFFERENT AS SHOWN, OTHERWISE SAME AS FIG 1)
(NOT TOOLED)

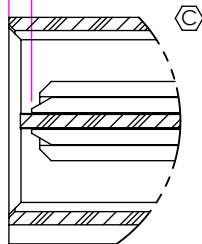


SECTION "E"-"E"
SCALE 2 : 1



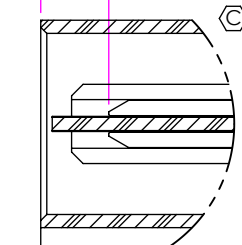
SECTION "F"-"F"
SCALE 2 : 1

0.75±0.20 [.030±.008] (2 PLCS ONLY)



DETAIL 'G'
SCALE 4 : 1

2.25±0.20 [.089±.008] (TYP)



DETAIL 'H'
SCALE 4 : 1

PROPRIETARY NOTE
THIS DOCUMENT CONTAINS CONFIDENTIAL AND PROPRIETARY INFORMATION AND ALL DESIGN, MANUFACTURING, REPRODUCTION, USE, PATENT RIGHTS AND SALES RIGHTS ARE EXPRESSLY RESERVED BY SAMTEC, INC. THIS DOCUMENT SHALL NOT BE DISCLOSED, IN WHOLE OR PART, TO ANY UNAUTHORIZED PERSON OR ENTITY NOR REPRODUCED, TRANSFERRED OR INCORPORATED IN ANY OTHER PROJECT IN ANY MANNER WITHOUT THE EXPRESS WRITTEN CONSENT OF SAMTEC, INC.

DO NOT SCALE DRAWING

SHEET SCALE: 3:1



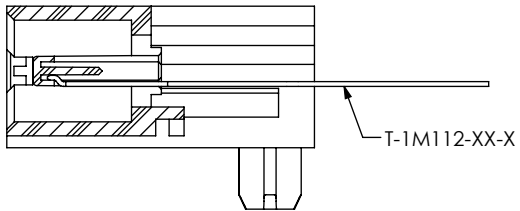
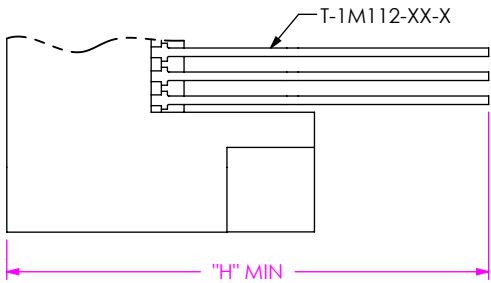
520 PARK EAST BLVD, NEW ALBANY, IN 47150
PHONE: 812-944-6733 FAX: 812-948-5047
e-Mail info@SAMTEC.com code 55322

DESCRIPTION: LPHT-RA TERMINAL ASSEMBLY

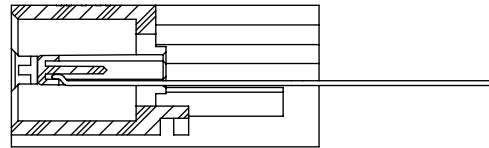
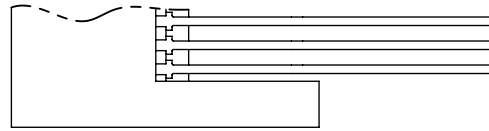
DWG. NO. LPHT-XX-XX-X-RTX-XX

BY: ROY LUO 11/28/2011 SHEET 3 OF 8

REVISION E



GP OPTION

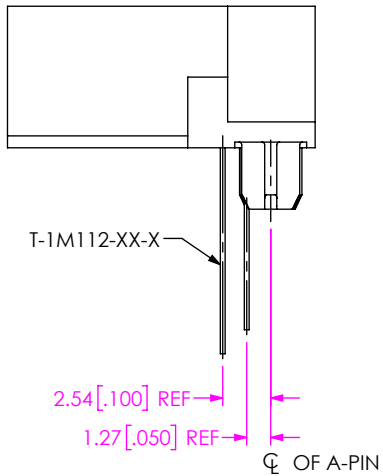


NO GP OPTION
(DIFFERENT AS SHOWN, OTHERWISE SAME AS GP OPTION)

TABLE 5

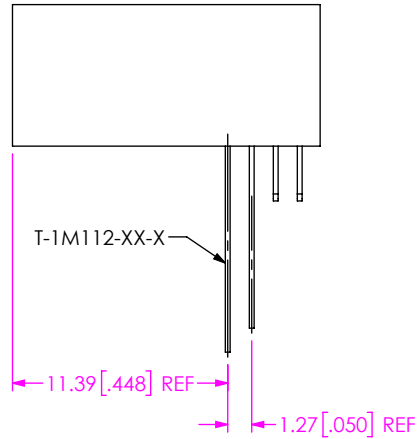
TAIL	"H"
-RT1	19.93 [.785]
-RT2	20.63 [.812]

IN-PROCESS 3
CUT OFF CARRIER

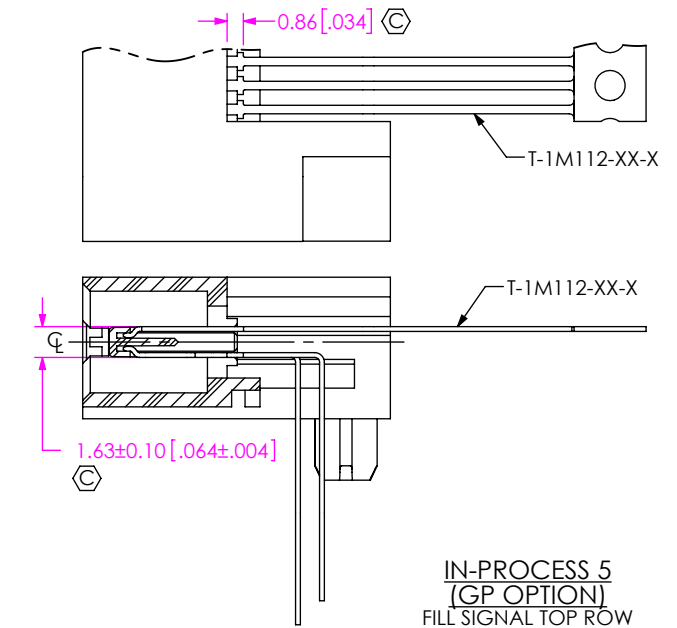


GP OPTION

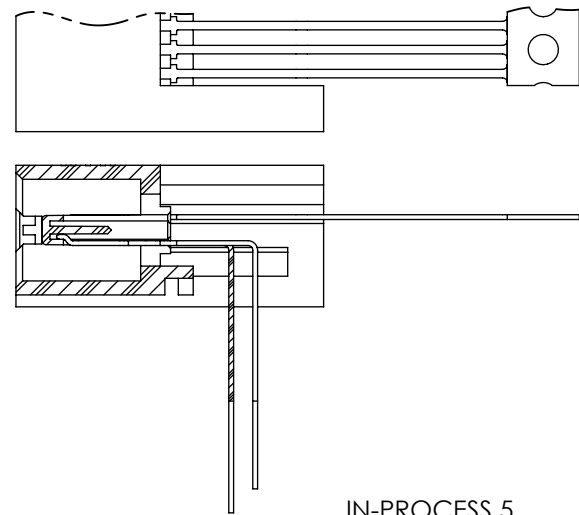
IN-PROCESS 4
FORM SIGNAL BOTTOM ROW



NO GP OPTION
(DIFFERENT AS SHOWN, OTHERWISE SAME AS GP OPTION)



IN-PROCESS 5
(GP OPTION)
FILL SIGNAL TOP ROW



IN-PROCESS 5
(NO GP OPTION)
(DIFFERENT AS SHOWN, OTHERWISE SAME AS GP OPTION)
FILL SIGNAL TOP ROW

PROPRIETARY NOTE
THIS DOCUMENT CONTAINS CONFIDENTIAL AND PROPRIETARY INFORMATION AND ALL DESIGN, MANUFACTURING, REPRODUCTION, USE, PATENT RIGHTS AND SALES RIGHTS ARE EXPRESSLY RESERVED BY SAMTEC, INC. THIS DOCUMENT SHALL NOT BE DISCLOSED, IN WHOLE OR PART, TO ANY UNAUTHORIZED PERSON OR ENTITY NOR REPRODUCED, TRANSFERRED OR INCORPORATED IN ANY OTHER PROJECT IN ANY MANNER WITHOUT THE EXPRESS WRITTEN CONSENT OF SAMTEC, INC.



520 PARK EAST BLVD, NEW ALBANY, IN 47150
PHONE: 812-944-6733 FAX: 812-948-5047
e-Mail info@SAMTEC.com code 55322

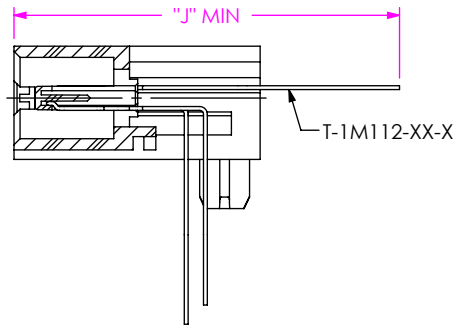
DO NOT SCALE DRAWING

SHEET SCALE: 3:1

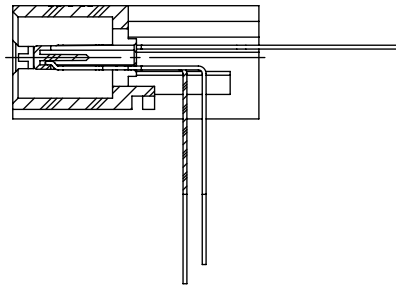
DESCRIPTION: LPHT-RA TERMINAL ASSEMBLY

DWG. NO. LPHT-XX-XX-X-RTX-XX

BY: ROY LUO 11/28/2011 SHEET 4 OF 8



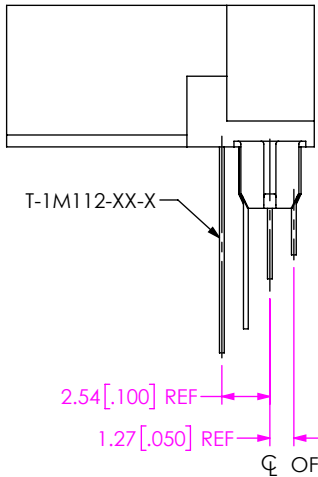
GP OPTION



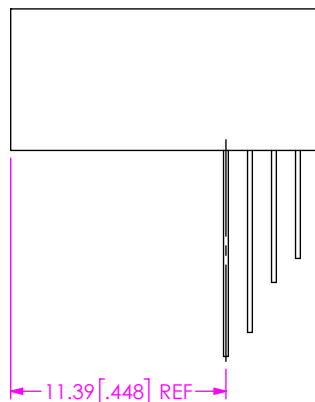
NO GP OPTION
(DIFFERENT AS SHOWN, OTHERWISE SAME AS GP OPTION)

IN-PROCESS 6
CUT OFF CARRIER

TABLE 6	
TAIL	"J"
-RT1	23.85 [.939]
-RT2	24.55 [.967]

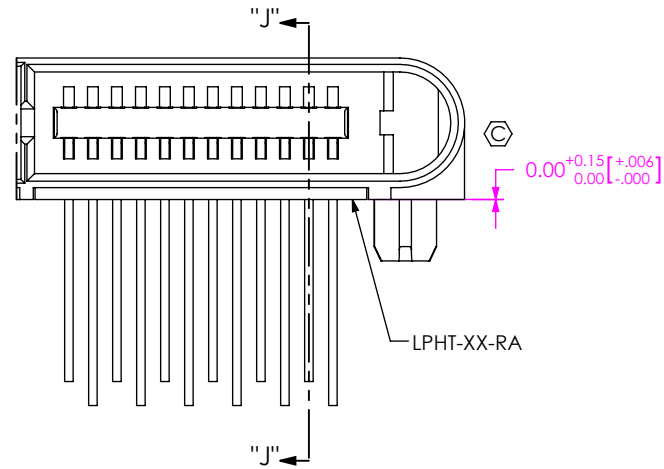


GP OPTION

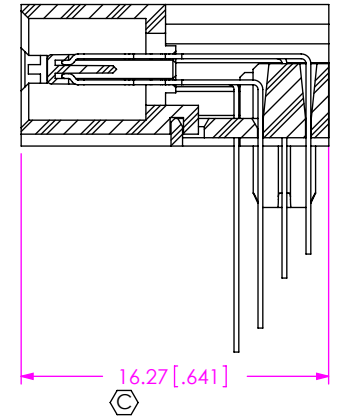


NO GP OPTION
(DIFFERENT AS SHOWN, OTHERWISE SAME AS GP OPTION)

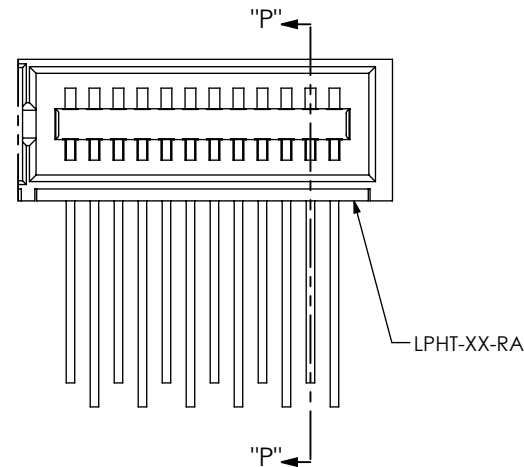
IN-PROCESS 7
FORM SIGNAL TOP ROW



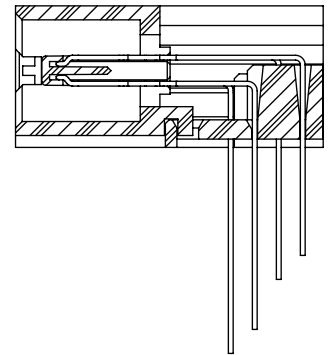
IN-PROCESS 8
(GP OPTION)
FILL LPHT-XX-RA



SECTION "J"-"J"
SCALE 2.5 : 1



IN-PROCESS 8
(NO GP OPTION)
(DIFFERENT AS SHOWN, OTHERWISE SAME AS GP OPTION)
FILL LPHT-XX-RA



SECTION "P"-"P"
SCALE 2.5 : 1

PROPRIETARY NOTE

THIS DOCUMENT CONTAINS CONFIDENTIAL AND PROPRIETARY INFORMATION AND ALL DESIGN, MANUFACTURING, REPRODUCTION, USE, PATENT RIGHTS AND SALES RIGHTS ARE EXPRESSLY RESERVED BY SAMTEC, INC. THIS DOCUMENT SHALL NOT BE DISCLOSED, IN WHOLE OR PART, TO ANY UNAUTHORIZED PERSON OR ENTITY NOR REPRODUCED, TRANSFERRED OR INCORPORATED IN ANY OTHER PROJECT IN ANY MANNER WITHOUT THE EXPRESS WRITTEN CONSENT OF SAMTEC, INC.

DO NOT SCALE DRAWING

SHEET SCALE: 3:1

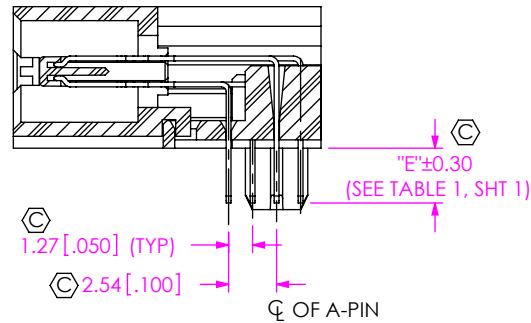
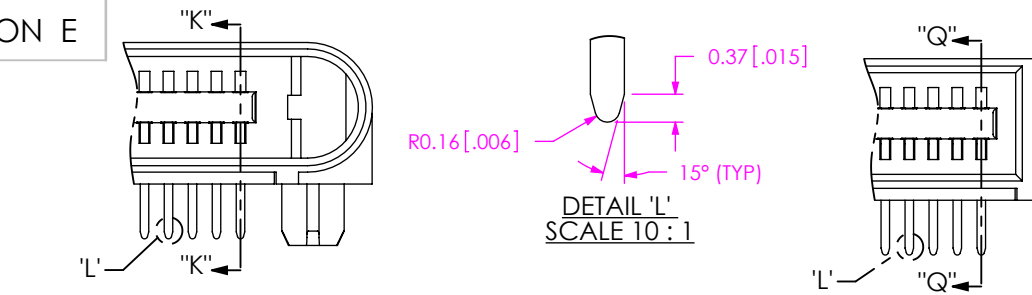


520 PARK EAST BLVD. NEW ALBANY, IN 47150
PHONE: 812-944-6733 FAX: 812-948-5047
e-Mail info@SAMTEC.com code 55322

DESCRIPTION:
LPHT-RA TERMINAL ASSEMBLY

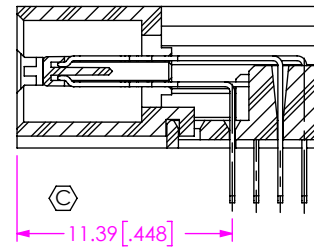
DWG. NO.
LPHT-XX-XX-X-RTX-XX

BY: ROY LUO 11/28/2011 SHEET 5 OF 8



SECTION "K"-"K"
GP OPTION

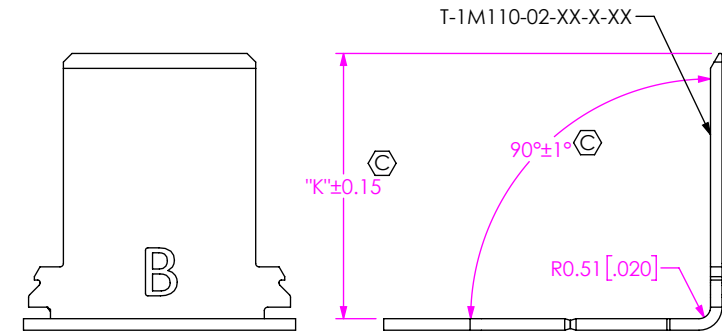
IN-PROCESS 9
SHEAR TAIL & COIN PIN



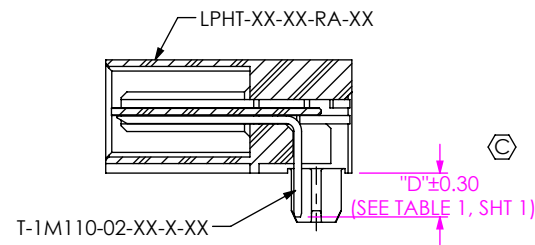
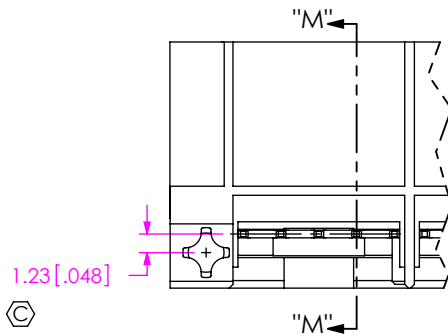
SECTION "Q"-"Q"
NO GP OPTION
(DIFFERENT AS SHOWN, OTHERWISE SAME AS GP OPTION)

TABLE 7		
OPTION	"K"	"L"
N/A	11.70 [.461]	14.20 [.559]
*-HS	10.20 [.402]	12.70 [.500]

(* = NOT TOOLED)



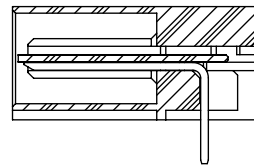
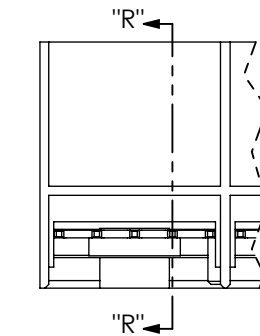
IN-PROCESS 10
(FORM T-1M110-02-XX-X-XX)



SECTION "M"-"M"
SCALE 2 : 1

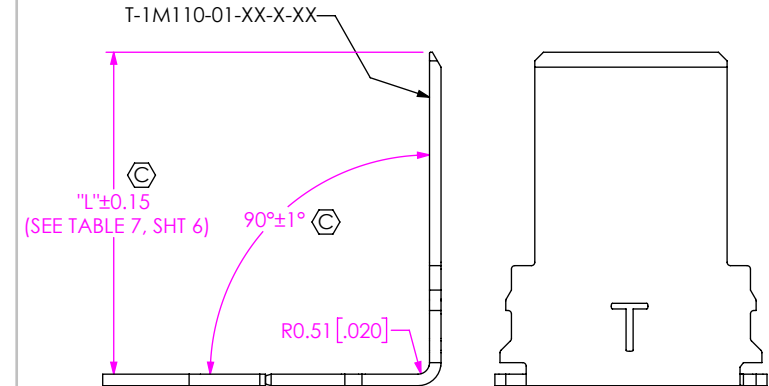
GP OPTION

IN-PROCESS 11
(FILL POWER BOTTOM ROW)



SECTION "R"-"R"
SCALE 2 : 1

NO GP OPTION
(DIFFERENT AS SHOWN, OTHERWISE SAME AS GP OPTION)



IN-PROCESS 12
(FORM T-1M110-01-XX-X-XX)

PROPRIETARY NOTE
THIS DOCUMENT CONTAINS CONFIDENTIAL AND PROPRIETARY INFORMATION AND ALL DESIGN, MANUFACTURING, REPRODUCTION, USE, PATENT RIGHTS AND SALES RIGHTS ARE EXPRESSLY RESERVED BY SAMTEC, INC. THIS DOCUMENT SHALL NOT BE DISCLOSED, IN WHOLE OR PART, TO ANY UNAUTHORIZED PERSON OR ENTITY NOR REPRODUCED, TRANSFERRED OR INCORPORATED IN ANY OTHER PROJECT IN ANY MANNER WITHOUT THE EXPRESS WRITTEN CONSENT OF SAMTEC, INC.



520 PARK EAST BLVD, NEW ALBANY, IN 47150
PHONE: 812-944-6733 FAX: 812-948-5047
e-Mail info@SAMTEC.com code 55322

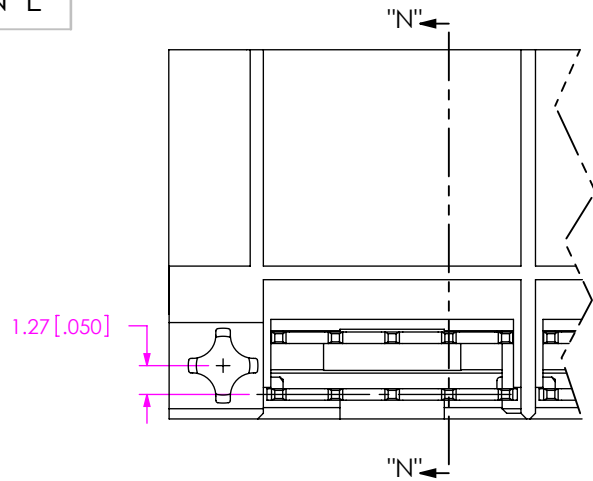
DO NOT SCALE DRAWING

SHEET SCALE: 1:1

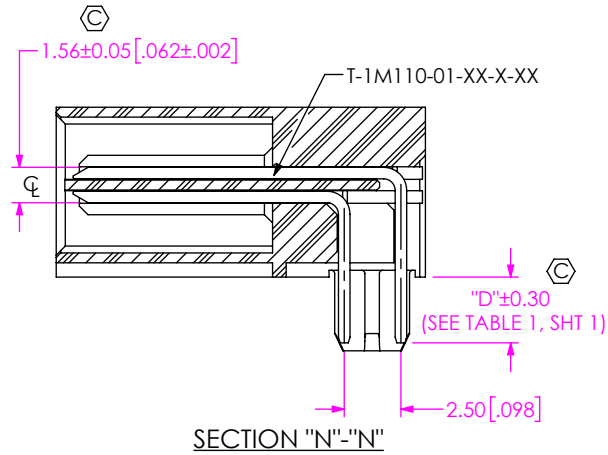
DESCRIPTION:
LPHT-RA TERMINAL ASSEMBLY

DWG. NO.
LPHT-XX-XX-X-RTX-XX

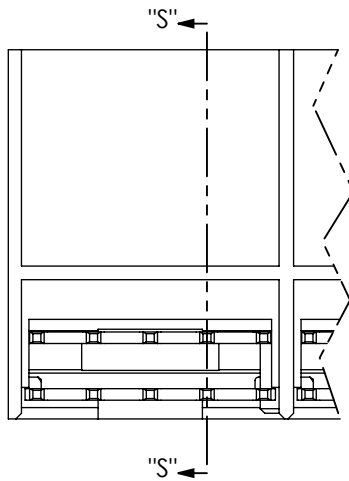
BY: ROY LUO 11/28/2011 SHEET 6 OF 8



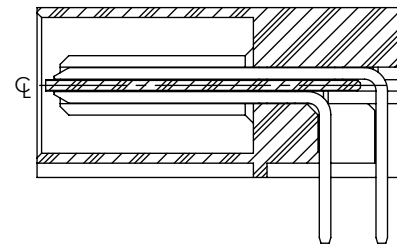
IN-PROCESS 13
(GP OPTION)
(FILL POWER TOP ROW)



SECTION "N"-"N"



IN-PROCESS 13
(NO GP OPTION)
(FILL POWER TOP ROW)



F:\DWG\MISC\MKTG\LPHT-XX-XX-X-RTX-XX-MKT.SLDDRW

PROPRIETARY NOTE
THIS DOCUMENT CONTAINS CONFIDENTIAL AND PROPRIETARY INFORMATION AND ALL DESIGN, MANUFACTURING, REPRODUCTION, USE, PATENT RIGHTS AND SALES RIGHTS ARE EXPRESSLY RESERVED BY SAMTEC, INC. THIS DOCUMENT SHALL NOT BE DISCLOSED, IN WHOLE OR PART, TO ANY UNAUTHORIZED PERSON OR ENTITY NOR REPRODUCED, TRANSFERRED OR INCORPORATED IN ANY OTHER PROJECT IN ANY MANNER WITHOUT THE EXPRESS WRITTEN CONSENT OF SAMTEC, INC.

DO NOT SCALE DRAWING

SHEET SCALE: 3:1



520 PARK EAST BLVD, NEW ALBANY, IN 47150
PHONE: 812-944-6733 FAX: 812-948-5047
e-Mail info@SAMTEC.com code 55322

DESCRIPTION:
LPHT-RA TERMINAL ASSEMBLY

DWG. NO.
LPHT-XX-XX-X-RTX-XX

BY: ROY LUO 11/28/2011 SHEET 7 OF 8

TABLE 2 SIGNAL/POWER COMBO -A-GP

SIGNAL POS	02 POWER POS			04 POWER POS			06 POWER POS			08 POWER POS		
	"A"	"B"	"C"	"A"	"B"	"C"	"A"	"B"	"C"	"A"	"B"	"C"
* 12	31.43 [1.237]	24.09 [0.948]	25.92 [1.020]	43.43 [1.710]	36.09 [1.421]	37.92 [1.493]	55.43 [2.182]	48.09 [1.893]	49.92 [1.965]	67.43 [2.655]	60.09 [2.366]	61.92 [2.438]
16	33.97 [1.337]	26.63 [1.048]	28.46 [1.120]	45.97 [1.810]	38.63 [1.521]	40.46 [1.593]	57.97 [2.282]	50.63 [1.993]	52.46 [2.065]	69.97 [2.755]	62.63 [2.466]	64.46 [2.538]
20	36.51 [1.437]	29.17 [1.148]	31.00 [1.220]	48.51 [1.910]	41.17 [1.621]	43.00 [1.693]	60.51 [2.382]	53.17 [2.093]	55.00 [2.165]	72.51 [2.855]	65.17 [2.566]	67.00 [2.638]
24	39.05 [1.537]	31.71 [1.248]	33.54 [1.320]	51.05 [2.010]	43.71 [1.721]	45.54 [1.793]	63.05 [2.482]	55.71 [2.193]	57.54 [2.265]	75.05 [2.955]	67.71 [2.666]	69.54 [2.738]
28	41.59 [1.637]	34.25 [1.348]	36.08 [1.420]	53.59 [2.110]	46.25 [1.821]	48.08 [1.893]	65.59 [2.582]	58.25 [2.293]	60.08 [2.365]	77.59 [3.055]	70.25 [2.766]	72.08 [2.838]
32	44.13 [1.737]	36.79 [1.448]	38.62 [1.520]	56.13 [2.210]	48.79 [1.921]	50.62 [1.993]	68.13 [2.682]	60.79 [2.393]	62.62 [2.465]	80.13 [3.155]	72.79 [2.866]	74.62 [2.938]
* 36	46.67 [1.837]	39.33 [1.548]	41.16 [1.620]	58.67 [2.310]	51.33 [2.021]	53.16 [2.093]	70.67 [2.782]	63.33 [2.493]	65.16 [2.565]	82.67 [3.255]	75.33 [2.966]	77.16 [3.038]
* 40	49.21 [1.937]	41.87 [1.648]	43.70 [1.720]	61.21 [2.410]	53.87 [2.121]	55.70 [2.193]	73.21 [2.882]	65.87 [2.593]	67.70 [2.665]	85.21 [3.355]	77.87 [3.066]	79.70 [3.138]

(* = NOT TOOLED)

TABLE 2 SIGNAL/POWER COMBO -A-GP CONTINUED

SIGNAL POS	10 POWER POS			*12 POWER POS			*14 POWER		
	"A"	"B"	"C"	"A"	"B"	"C"	"A"	"B"	"C"
* 12	79.43 [3.127]	72.09 [2.838]	73.92 [2.910]	91.43 [3.600]	84.09 [3.311]	85.92 [3.383]	103.43 [4.072]	96.09 [3.783]	97.92 [3.855]
16	81.97 [3.227]	74.63 [2.938]	76.46 [3.010]	93.97 [3.700]	86.63 [3.411]	88.46 [3.483]	105.97 [4.172]	98.63 [3.883]	100.46 [3.955]
20	84.51 [3.327]	77.17 [3.038]	79.00 [3.110]	96.51 [3.800]	89.17 [3.511]	91.00 [3.583]	108.51 [4.272]	101.17 [3.983]	103.00 [4.055]
24	87.05 [3.427]	79.71 [3.138]	81.54 [3.210]	99.05 [3.900]	91.71 [3.611]	93.54 [3.683]	111.05 [4.372]	103.71 [4.083]	105.54 [4.155]
28	89.59 [3.527]	82.25 [3.238]	84.08 [3.310]	101.59 [4.000]	94.25 [3.711]	96.08 [3.783]	113.59 [4.472]	106.25 [4.183]	108.08 [4.255]
32	92.13 [3.627]	84.79 [3.338]	86.62 [3.410]	104.13 [4.100]	96.79 [3.811]	98.62 [3.883]	116.13 [4.572]	108.79 [4.283]	110.62 [4.355]
* 36	94.67 [3.727]	87.33 [3.438]	89.16 [3.510]	106.67 [4.200]	99.33 [3.911]	101.16 [3.983]	118.67 [4.672]	111.33 [4.383]	113.16 [4.455]
* 40	97.21 [3.827]	89.87 [3.538]	91.70 [3.610]	109.21 [4.300]	101.87 [4.011]	103.70 [4.083]	121.21 [4.772]	113.87 [4.483]	115.70 [4.555]

(* = NOT TOOLED)

TABLE 3 SIGNAL/POWER COMBO (NO GP OPTIONS)

SIGNAL POS	02 POWER	04 POWER	06 POWER	08 POWER	10 POWER	*12 POWER	*14 POWER
	"A"	"A"	"A"	"A"	"A"	"A"	"A"
* 12	23.96 [0.943]	35.96 [1.416]	47.96 [1.888]	59.96 [2.361]	71.96 [2.833]	83.96 [3.306]	95.96 [3.778]
16	26.50 [1.043]	38.50 [1.516]	50.50 [1.988]	62.50 [2.461]	74.50 [2.933]	86.50 [3.406]	98.50 [3.878]
20	29.04 [1.143]	41.04 [1.616]	53.04 [2.088]	65.04 [2.561]	77.04 [3.033]	89.04 [3.506]	101.04 [3.978]
24	31.58 [1.243]	43.58 [1.716]	55.58 [2.188]	67.58 [2.661]	79.58 [3.133]	91.58 [3.606]	103.58 [4.078]
28	34.12 [1.343]	46.12 [1.816]	58.12 [2.288]	70.12 [2.761]	82.12 [3.233]	94.12 [3.706]	106.12 [4.178]
32	36.66 [1.443]	48.66 [1.916]	60.66 [2.388]	72.66 [2.861]	84.66 [3.333]	96.66 [3.806]	108.66 [4.278]
* 36	39.20 [1.543]	51.20 [2.016]	63.20 [2.488]	75.20 [2.961]	87.20 [3.433]	99.20 [3.906]	111.20 [4.378]
* 40	41.74 [1.643]	53.74 [2.116]	65.74 [2.588]	77.74 [3.061]	89.74 [3.533]	101.74 [4.006]	113.74 [4.478]

(* = NOT TOOLED)

TABLE 4

SIGNAL POS	"F"	"G"
* 12	6.35 [0.250]	6.35 [0.250]
16	8.89 [0.350]	8.89 [0.350]
20	11.43 [0.450]	11.43 [0.450]
24	13.97 [0.550]	13.97 [0.550]
28	16.51 [0.650]	16.51 [0.650]
32	19.05 [0.750]	19.05 [0.750]
* 36	21.59 [0.850]	21.59 [0.850]
* 40	24.13 [0.950]	24.13 [0.950]

(* = NOT TOOLED)

PROPRIETARY NOTE

THIS DOCUMENT CONTAINS CONFIDENTIAL AND PROPRIETARY INFORMATION AND ALL DESIGN, MANUFACTURING, REPRODUCTION, USE, PATENT RIGHTS AND SALES RIGHTS ARE EXPRESSLY RESERVED BY SAMTEC, INC. THIS DOCUMENT SHALL NOT BE DISCLOSED, IN WHOLE OR PART, TO ANY UNAUTHORIZED PERSON OR ENTITY NOR REPRODUCED, TRANSFERRED OR INCORPORATED IN ANY OTHER PROJECT IN ANY MANNER WITHOUT THE EXPRESS WRITTEN CONSENT OF SAMTEC, INC.

DO NOT SCALE DRAWING

SHEET SCALE: 1:1



520 PARK EAST BLVD, NEW ALBANY, IN 47150
PHONE: 812-944-6733 FAX: 812-948-5047
e-Mail info@SAMTEC.com code 55322

DESCRIPTION:
LPHT-RA TERMINAL ASSEMBLY

DWG. NO.
LPHT-XX-XX-X-RTX-XX

BY: ROY LUO 11/28/2011 SHEET 8 OF 8