

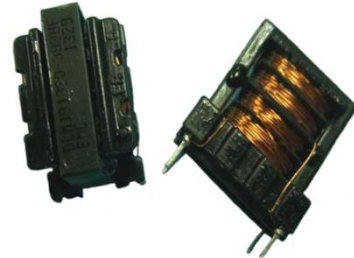


# DCM191320V Series



## 1. Features of DCM191320V Series :

- 18.5×13.0mm Max.(L×W),20.0mm Max. Height
- Inductance range: 3.50mH~47.0mH, Custom values are welcomed.
- Ideally used as AC common mode noise filter for TV, VCR, switch mode power supply, inverter, industrial equipment, attenuation and control unit with better characteristics in low frequency band.
- Dielectric strength: 1500Vrms, winding to winding
- UL Class B Compliant Common Mode Chokes
- Operating temperature: -55 to +130°C
- RoHS & HF compliant

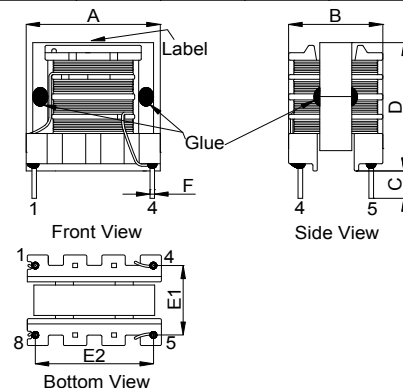


## 2. Electrical Characteristics of DCM191320V Series:

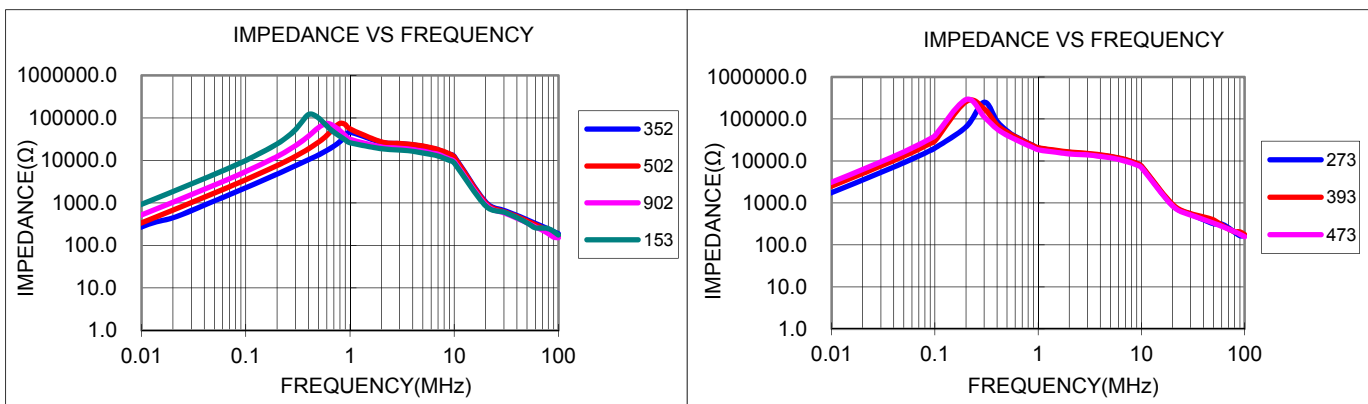
Part Number	L (mH) ±30%	Irate (A) Max	DCR (Ω) Max
DCM191320V-352NHF	3.5	1.80	0.230
DCM191320V-502NHF	5.0	1.20	0.350
DCM191320V-902NHF	9.0	1.00	0.500
DCM191320V-153NHF	15.0	0.63	0.960
DCM191320V-273NHF	27.0	0.50	1.650
DCM191320V-393NHF	39.0	0.40	2.300
DCM191320V-473NHF	47.0	0.35	2.750

## 3. Mechanical Dimensions (unit:mm):

A Max.	B Max.	C ±0.5	D Max.	E1 ±0.5	E2 ±0.5	F Ref.
18.5	13.0	3.5	20.0	10.0	15.0	0.6



## 4. Impedance vs Frequency Curve of DCM191320V Series:



### Test Condition:

1. Open Circuit Inductance (OCL) measured at 10KHz, 0.05Vrms, 0 Amp at 25°C
2. Irate is defined as the applied current level that cause 35 °C temperature rise without force air flow
3. Impedance measures with both windings in parallel and at ambient temperature (25°C)

● New York 1 914 347 2474 ● Taipei 886 2 2698 8669 ● Kaohsiung 886 7 350 2275  
 ● Tokyo 81 568 85 2830 ● Shenzhen 86 755 8418 6263 ● Shanghai 86 21 5424 5141 ● Hong Kong 852 9688 9767  
 ● [sales@ITG-Electronics.com](mailto:sales@ITG-Electronics.com) ● [www.ITG-Electronics.com](http://www.ITG-Electronics.com) Revision A: March 30, 2016

\*Due to continuous product improvement, all specifications are subject to change without prior notice. Kindly contact an ITG field application engineer or a sales representative prior to purchase.