

**ebm-papst St. Georgen GmbH & Co. KG**

Hermann-Papst-Str. 1  
D-78112 St. Georgen  
Phone +49 (0) 7724 81-0  
Fax +49 (0) 7724 81-1309  
info2@de.ebmpapst.com  
www.ebmpapst.com

**Nominal data**

Type	AC 4300 H	
Nominal voltage range	VAC	85 .. 265
Frequency	Hz	50/60
Speed (rpm)	min <sup>-1</sup>	3400
Power consumption	W	12
Min. ambient temperature	°C	-20
Max. ambient temperature	°C	70
Air flow	m <sup>3</sup> /h	204
Sound power level	B	6.4
Sound pressure level	dB(A)	51

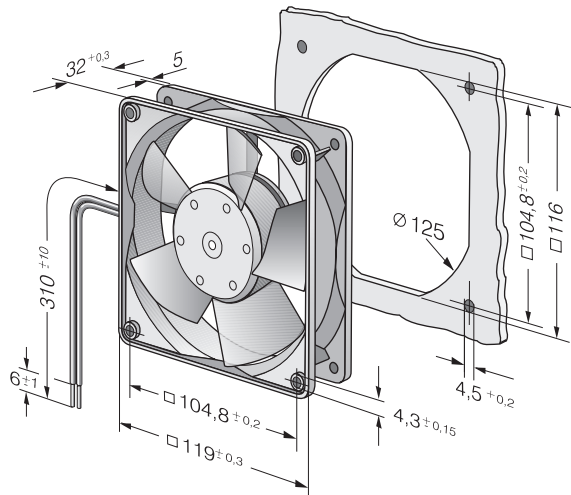
ml = Max. load · me = Max. efficiency · fa = Free air · cs = Customer specification · ce = Customer equipment  
Subject to change



**Technical description**

<b>General description</b>	Usable with all line voltages between 85 and 265 VAC
<b>Weight</b>	0.325 kg
<b>Dimensions</b>	119 x 119 x 32 mm
<b>Impeller material</b>	Glass-fiber reinforced PA plastic
<b>Housing material</b>	Glass-fiber reinforced PBTP plastic
<b>Airflow direction</b>	Exhaust over struts
<b>Direction of rotation</b>	Clockwise, viewed toward rotor
<b>Degree of protection</b>	IP21
<b>Bearing</b>	Ball bearing
<b>Service life L10 at 40 °C</b>	45000 h
<b>Service life L10 at maximum temperature</b>	22500 h
<b>Cable</b>	With leads AWG 22, TR 64
<b>Motor protection</b>	Protection against reverse polarity and blocked rotor.
<b>Approval</b>	UL, CSA, VDE
<b>Option</b>	Open-loop speed control, sensor and alarm signal; improved moisture protection or degree of protection IP54

## Product drawing



## Curves

