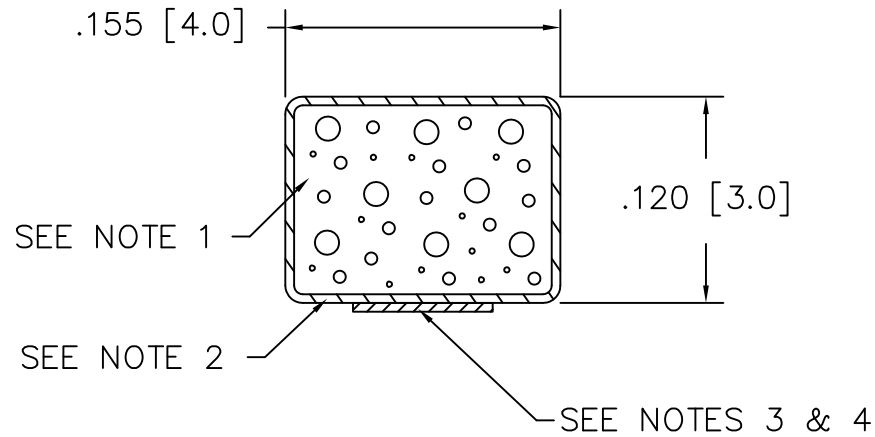


CONFIDENTIAL & PROPRIETARY

THIS INFORMATION IS CONFIDENTIAL AND PROPRIETARY TO LAIRD TECHNOLOGIES. IT MAY NOT BE DISCLOSED TO ANYONE, OTHER THAN LAIRD TECHNOLOGIES PERSONNEL, WITHOUT WRITTEN AUTHORIZATION FROM LAIRD TECHNOLOGIES.



NOTES:

1. FOAM: HF-1
2. FABRIC: NICKEL NRS FR
3. TAPE: .075" TAPE HI-TEMP(3M9485)
4. LINER: NO EXTENDED RELEASE LINER
5. FABRIC SEAM LOCATION MAY VARY.
6. THIS PART IS RoHS COMPLIANT

REVISIONS: 1. FOAM WAS 241 NOW IS 625 3/6/00 AL
2. CHANGED FOAM 6250160 TO 6200155 5/9/00 AL
3. CHANGED FABRIC 5060575 TO 2600550 10/16/00 AL
4. CI-007 06 KMD 11/08/06

TITLE: SHIELDING GASKET	
Dwg. or Part No. 4209-AB-51K	REV. 4

DRAWN J. PILLE	DATE 9/2/99	SCALE: 1/1
CHECKED BY: J. PILLE		DATE 9/2/99
RELEASED BY: J. PILLE		DATE 9/2/99

DIMENSIONS ARE IN INCHES. UNLESS OTHERWISE SPECIFIED, TOLERANCES ARE AS FOLLOWS:		
DECIMALS	LENGTH	
.XX ± .03	0" - 6"	± .030"
.XXX ± .020	6" - 11"	± .050"
	11" - 48"	± .100"
ANGLES	48" - 70"	± .187"
	± 1/2"	70" - 144" ± .250"

