

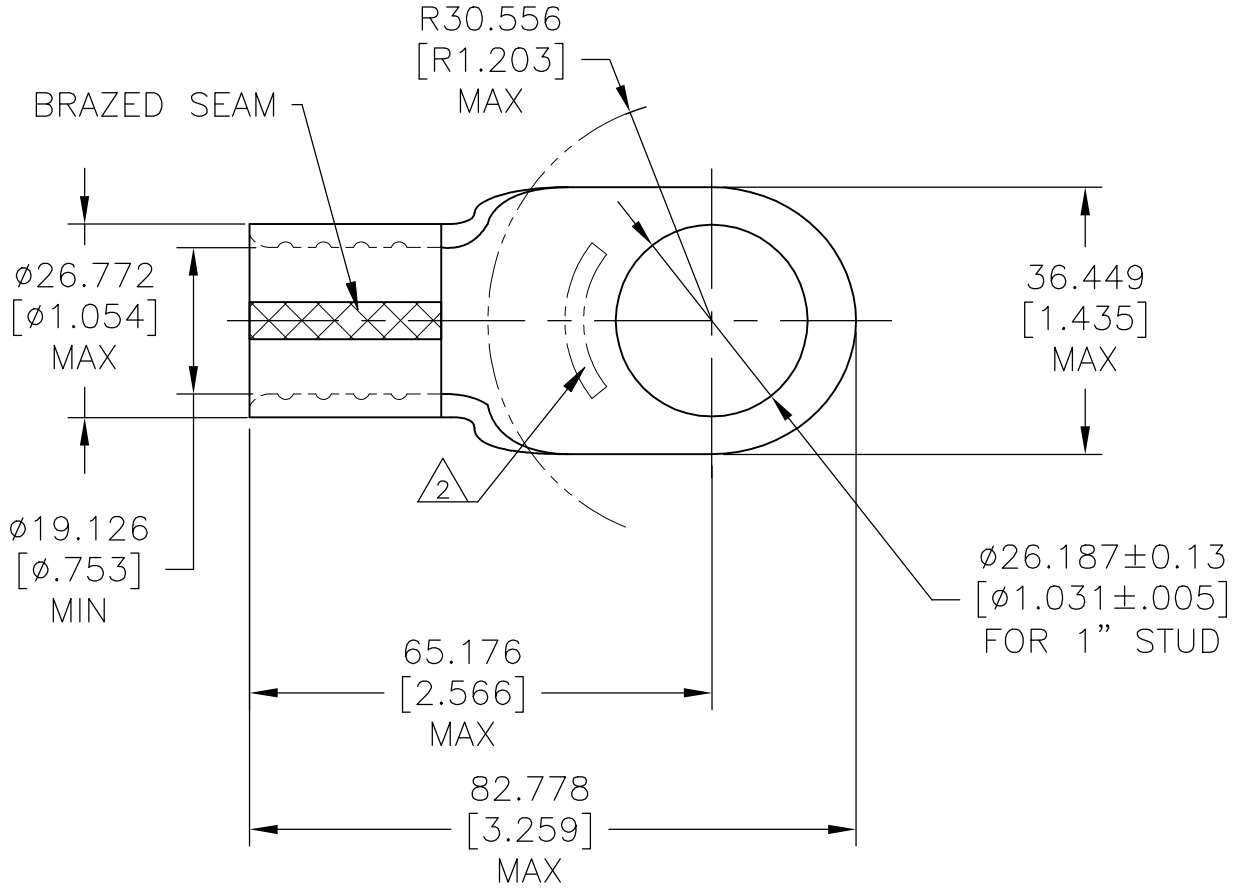


| REVISIONS | | | | | |
|-----------|-----|---------------------------|-----------|-----|------|
| P | LTR | DESCRIPTION | DATE | DWN | APVD |
| | C | REVISED PER ECO-17-004099 | 29AUG2017 | RS | DR |
| | D | REVISED PER ECO-18-001491 | 31JAN2018 | RS | DR |


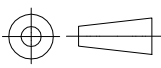
| | |
|--|---|
|  E13288 Listed |  LR7189 Certified |
| 250-300 MCM STRANDED ONLY | 250-300 MCM SOLID OR STRANDED |



1 BODY MATERIAL THICKNESS 3.200±0.076[.126±.003]

2 STAMP AMP 250-300 MCM* APPROX AS SHOWN

| | | |
|-----|--------------|-------------|
| 25 | LOOSE PIECE | 323034 |
| QTY | PACKAGE TYPE | PART NUMBER |

| | | | |
|---|-------------------------|---|---|
| DIMENSIONS: mm [INCHES] | DWN DK SCHRUM 6/12/92 | MATERIAL COPPER ASTM B-152 | FINISH .000100 MIN EXT THK TIN PLATE PER ASTM B545 |
| | CHK RD HEIM 6/26/92 |  TE Connectivity Ltd. | |
| TOLERANCES UNLESS OTHERWISE SPECIFIED: | APVD AJ KAUFMAN 6/26/92 | | |
| 0 PLC ± - | PRODUCT SPEC | SIZE | WIRE SIZE: 127.0-152.0mm ² [250-300] MCM |
| 1 PLC ± - | UL 486 A-B | CAGE CODE | RESTRICTED TO |
| 2 PLC ± - | APPLICATION SPEC | DRAWING NO | |
| 3 PLC ± 0.127[.005] | | A4 00779 C-323034 | |
| 4 PLC ± - | WEIGHT | | |
| ANGLES ± - | | | |
|  | CUSTOMER DRAWING | SCALE 1:1 | SHEET 1 OF 1 |
| | | | REV D |

THIS DRAWING IS UNPUBLISHED. ALL RIGHTS RESERVED. © COPYRIGHT - TE Connectivity