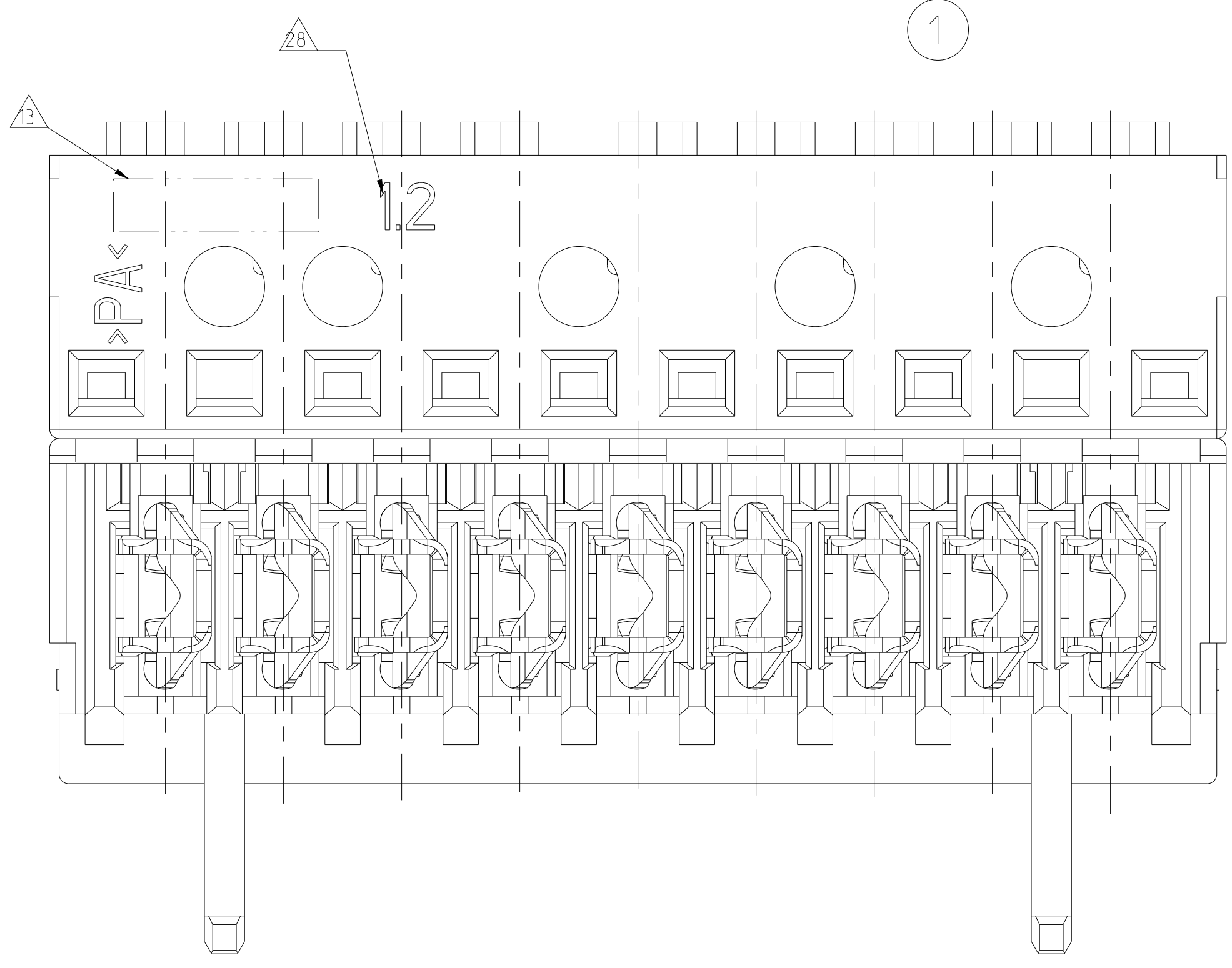
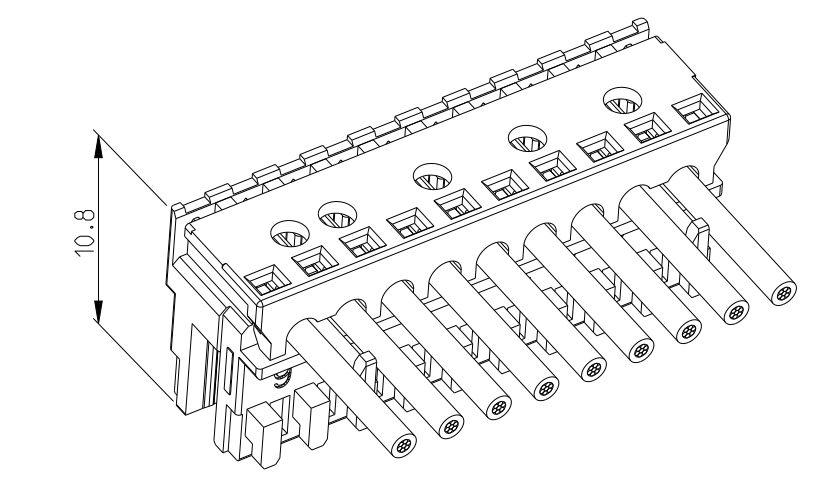
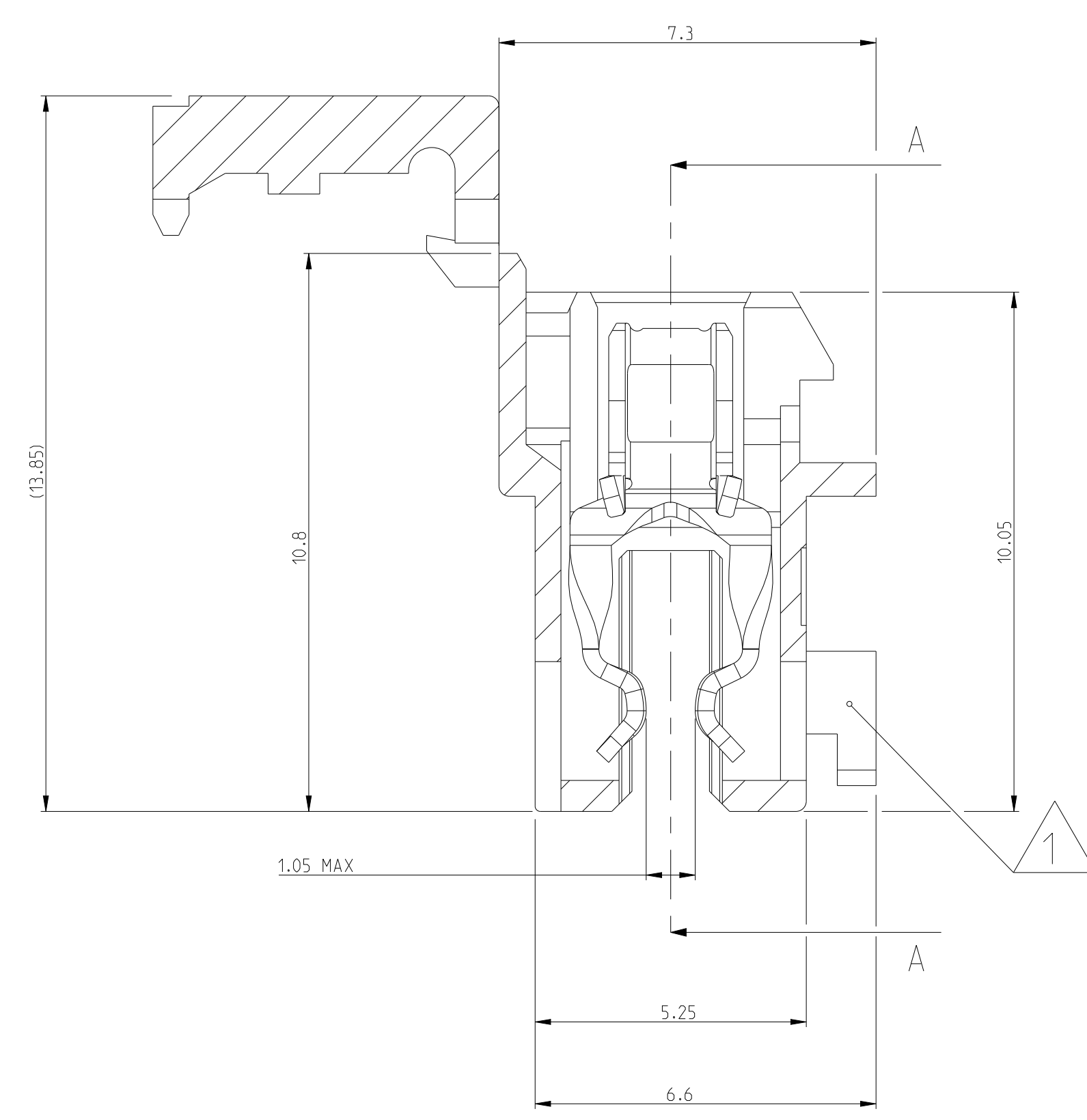
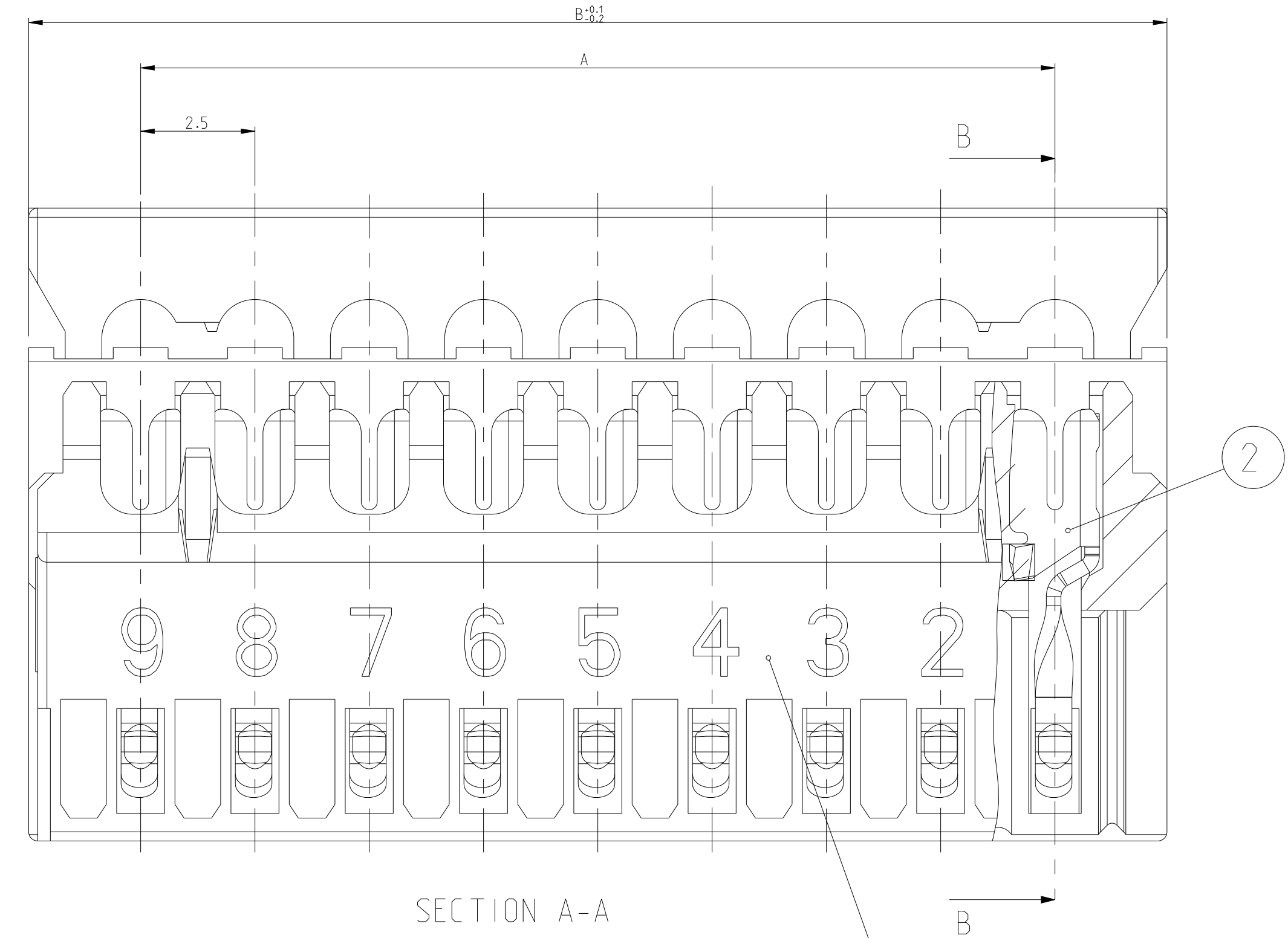
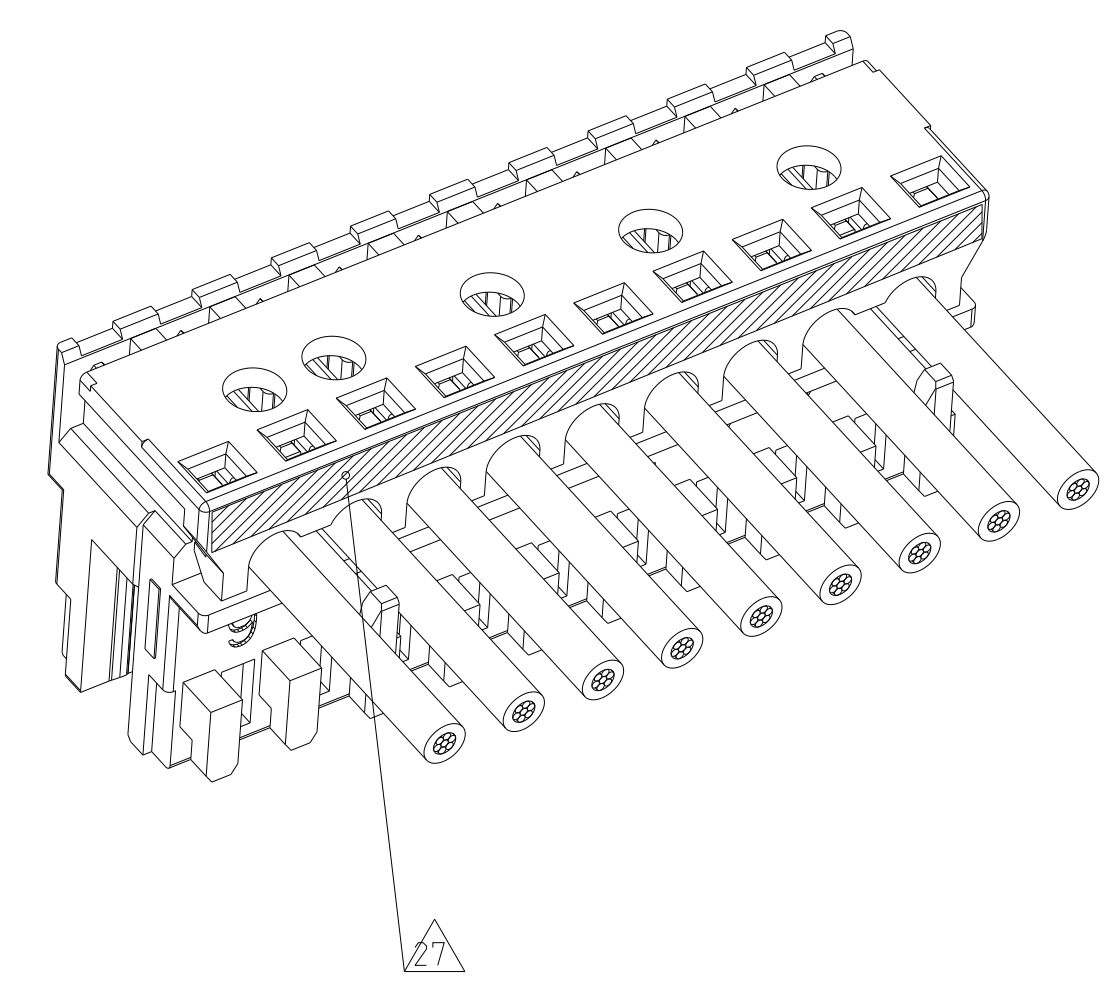


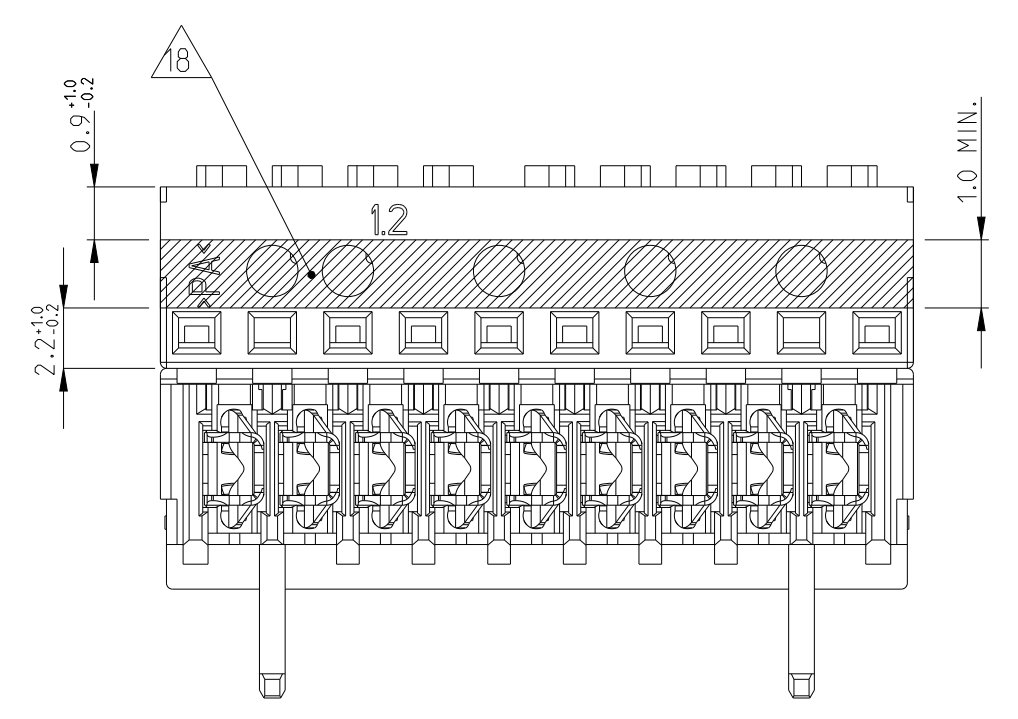
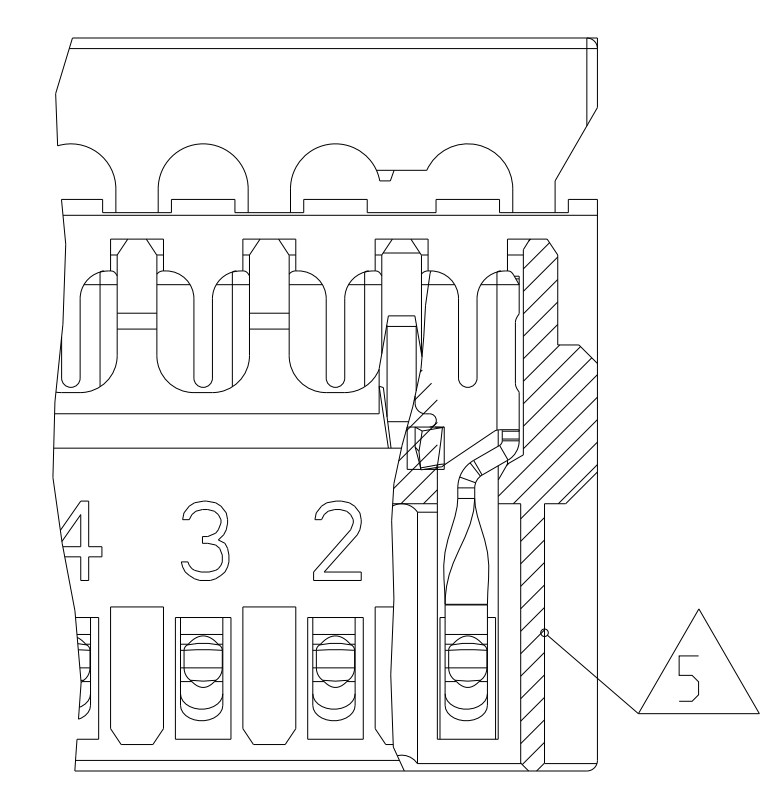
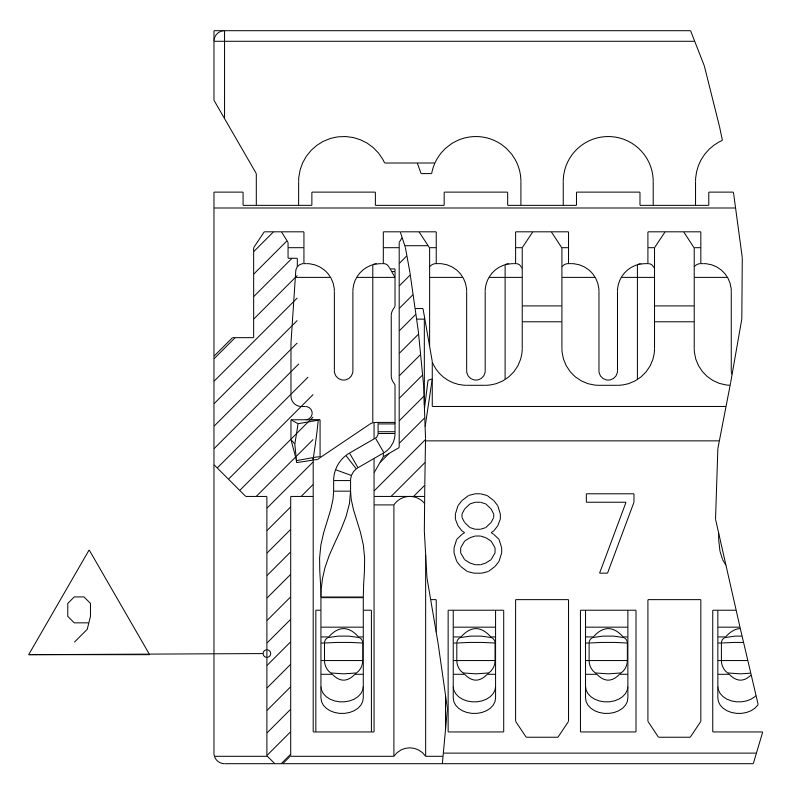
LOC		DIST		REVISIONS					
A1		-		REV	LTN	DESCRIPTION	DATE	DMN	APVD
D70	ECR-22-132545						16MAY2022	TL	FL
D71	ECR-22-146565						08AUG2022	DC	FL
D72	ECR-22-150470						05SEP2022	SM	FL
D73	ECR-22-154356						05OCT2022	DC	FL



SECTION B-B



- 29 P/N RELEASED WITH PARTIAL VALIDATION AND CERTIFICATION
- 28 CAVITY ID STARTS WITH LETTER FOR PARTS PRODUCTION IN QINGDAO PLANT. SUCH AS "A1.1"
- 27 STRIPE IN YELLOW COLOR WHERE SHOWN. PRESENT ON THE PARTS PRODUCED IN TE COLLEGNO ONLY
- 26 DIMENSION AVAILABLE ONLY FOR PART X-2304525-X, X-2304526-X.
- 25 WITH SPECIAL CHAIN FEATURE
- 24 SIDE KEYING ON LAST CAVITY. THICK-1.5mm
- 23 -
- 19 SIDE KEYING. THICK. ON CAVITY No.1
- 18 COLOR STRIP ON COVER OF HOUSING. NOT THE COLOR OF HOUSING.
- 17 SLOT FOR KEYING. SLIM. BETWEEN POSITION
- 16 SLOT FOR KEYING. THICK. BETWEEN POSITION
- 15 KEYING. THICK. BETWEEN POSITION
- 14 COLOR CODE
- 13 TE LOGO
- 12 PRELIMINARY PART NOT RELEASED FOR PRODUCTION
- 11 KEYING. SLIM. BETWEEN POSITION
- 10 SLOT FOR SIDE KEYING. ON LAST CAVITY
- 9 SIDE KEYING. SLIM. ON LAST CAVITY
- 8 INCLUSIVE COPPER LOADING
- 7 PCB PREFERABLY CHAMFERED
- 6 SLOT FOR SIDE KEYING. ON CAVITY NO 1
- 5 SIDE KEYING. ON CAVITY NO. 1
- 4 WIRE RANGE: 0.22-0.35mm<sup>2</sup> SEE APPLICATION SPEC. 114-18467
- 3 IEC 60695-2-11 / IEC 60335-1 GLOW WIRE TEST 750 °C WITHOUT FLAME
- 2 MATING PART: PCB (WITH FRAMES ACC. RAST 2.5 E.G. PN 964 575/576) TAB HEADER (FOR EXAMPLE: X-1971817/818-Y)
- 1 KEYING RIBS; CUTTING WITH TERMINATION MACHINE POSSIBLE



THIS DRAWING IS A CONTROLLED DOCUMENT.		DMN H. Karabiyik 24MAY2002	TE Connectivity	
DIMENSIONS:		CHK B. Schnaubelt 24MAY2002	NAME	
mm	0 PLC ±0.2 1 PLC ±0.2 2 PLC ±0.2 3 PLC ±0.2 4 PLC ±0.2 ANGLES ±°	APVD T. Klenner 24MAY2002	AMP DUOPLUG 2.5 MARK II FEMALE CONNECTOR 2-20 POSITION	
MATERIAL		PRODUCT SPEC 108-18785	SIZE 114-18467	RESTRICTED TO
		APPLICATION SPEC	SCALE 5:1	SHEET 1 OF 4
		FINISH	WEIGHT -	REV 073
			Customer Drawing	

LOC	DIST	REVISIONS					
		P	LTN	DESCRIPTION	DATE	DWN	APVD
A1	-			SEE SHEET 1			

GWEPT 750°C NO FLAME & UL94-V2, TIN PLATED VERSION (2-9 POSITION)									
	9	20	24.9				2/3		5-1534796-9
	9	20	24.9				4/5		2-1534796-9 <sup>12</sup>
	9	20	24.9						3-1534796-9
	9	20	24.9		X		3/4		4-1534796-9 <sup>12</sup>
Brown	8	17.5	22.4				2/3		9-1534796-8
	8	17.5	22.4		X		3/4		8-1534796-8
	8	17.5	22.4				3/4	X	7-1534796-8
	8	17.5	22.4				3/4		6-1534796-8
	8	17.5	22.4			X			5-1534796-8
	8	17.5	22.4						3-1534796-8
	8	17.5	22.4				5/6		2-1534796-8
	7	15	19.9				2/3		7-1534796-7
BLUE	7	15	19.9				2/3		6-1534796-7
BLUE	7	15	19.9	X			2/3		4-1534796-7 <sup>12</sup>
	7	15	19.9				5/6		5-1534796-7 <sup>12</sup>
	7	15	19.9						3-1534796-7
	6	12.5	17.4				2/3	X X	9-1534796-6
	6	12.5	17.4				1/2		8-1534796-6 <sup>12</sup>
	6	12.5	17.4				3/4		7-1534796-6 <sup>12</sup>
	6	12.5	17.4				2/3		6-1534796-6
BLUE	6	12.5	17.4				4/5		2-1534796-6
	6	12.5	17.4				4/5		5-1534796-6
	6	12.5	17.4					X	4-1534796-6
	6	12.5	17.4						3-1534796-6
RED	5	10	14.9				4/5		8-1534796-5
	5	10	14.9				1/2		9-1534796-5
	5	10	14.9				1/2		4-1534796-5 <sup>12</sup>
GREEN	5	10	14.9				3/4		7-1534796-5
BROWN	5	10	14.9				2/3		6-1534796-5
	5	10	14.9					X	5-1534796-5 <sup>12</sup>
	5	10	14.9						3-1534796-5
BROWN	5	10	14.9				1/2		0-1534796-5 <sup>12</sup>
GREEN	4	7.5	12.4					X	1-2825353-4
	4	7.5	12.4					X	0-2825353-4 <sup>12</sup>
RED	4	7.5	12.4						9-1534796-4
BLACK	4	7.5	12.4				2/3		8-1534796-4
BLACK	4	7.5	12.4		X		2/3		2-1534796-4 <sup>12</sup>
BLACK	4	7.5	12.4				3/4		5-1534796-4
	4	7.5	12.4				1/2		6-1534796-4
	4	7.5	12.4	X			1/2		1534796-4 <sup>12</sup>
	4	7.5	12.4				3/4		7-1534796-4 <sup>12</sup>
	4	7.5	12.4					X	4-1534796-4
	4	7.5	12.4						3-1534796-4
RED	3	5	9.9				2/3		2-1534796-3
	3	5	9.9					X	8-1534796-3 <sup>12</sup>
RED	3	5	9.9				2/3		9-1534796-3
	3	5	9.9				2/3		6-1534796-3
	3	5	9.9				1/2		7-1534796-3
	3	5	9.9				2/3	X	4-1534796-3 <sup>12</sup>
	3	5	9.9						3-1534796-3
	2	2.5	7.4				1/2		1-1534796-2
	2	2.5	7.4						1534796-2

GWEPT 750°C NO FLAME & UL94-V2, TIN PLATED VERSION (10-20 POSITION)										
	20	47.5	52.4			X		3/4		4-1534797-0 <sup>12</sup>
	20	47.5	52.4							3-1534797-0 <sup>12</sup>
	19	45	49.9							5-1534797-9 <sup>12</sup>
	19	45	49.9							4-1534797-9 <sup>12</sup>
	19	45	49.9							3-1534797-9
	18	42.5	47.4	X	X					4-1534797-8 <sup>12</sup>
	17	40	44.9	X	X					4-1534797-7 <sup>12</sup>
	17	40	44.9					10/11		1534797-7 <sup>12</sup>
	16	37.5	42.4							3-1534797-6 obsolete
	15	35	39.9	X	X					4-1534797-5 <sup>12</sup>
	15	35	39.9							3-1534797-5 obsolete
	14	32.5	37.4							3-1534797-4
	13	30	34.9	X	X					4-1534797-3 <sup>12</sup>
	13	30	34.9							3-1534797-3
	12	27.5	32.4					11/12		5-1534797-2 <sup>12</sup>
	12	27.5	32.4						X	4-1534797-2
	12	27.5	32.4							3-1534797-2
	12	27.5	32.4	X	X			10/11 2/3		2-1534797-2
	11	25	29.9					5/6		7-1534797-1
	11	25	29.9					10/11		6-1534797-1 <sup>12</sup>
	11	25	29.9					10/11	X	5-1534797-1 <sup>12</sup>
	11	25	29.9					9/10		4-1534797-1
	11	25	29.9							3-1534797-1
	10	22.5	27.4					2/3		6-1534796-0
	10	22.5	27.4					8/9		4-1534796-0 <sup>12</sup>
	10	22.5	27.4							3-1534796-0
	10	22.5	27.4					7/8		7-1534796-0

COLOR CODE <sup>14</sup>	POS.	DIM A	DIM B	<sup>24</sup> KEYING	<sup>19</sup> KEYING	<sup>15</sup> KEYING	<sup>11</sup> KEYING	<sup>9</sup> KEYING	<sup>5</sup> KEYING	TE P/N <sup>20</sup>
2	SEE TABLE			CONTACT		CuSn		TINNED		
1	SEE TABLE			HOUSING		HIGH TEMP PLASTIC <sup>3</sup>		NATUR		
SL NO	PN	DESCRIPTION		MATERIAL		COLOUR/FINISH				

COLOR CODE <sup>14</sup>	POS.	DIM A	DIM B	<sup>24</sup> KEYING	<sup>19</sup> KEYING	<sup>15</sup> KEYING	<sup>11</sup> KEYING	<sup>9</sup> KEYING	<sup>5</sup> KEYING	TE P/N <sup>20</sup>
2	SEE TABLE			CONTACT		CuSn		TINNED		
1	SEE TABLE			HOUSING		HIGH TEMP PLASTIC <sup>3</sup>		NATUR		
SL NO	PN	DESCRIPTION		MATERIAL		COLOUR/FINISH				

THIS DRAWING IS A CONTROLLED DOCUMENT.

DWN: H. Karabiyik 24MAY2002  
 CHK: B. Schnaubelt 24MAY2002  
 APVD: T. Klenner 24MAY2002

**STE** TE Connectivity

NAME: AMP DUOPLUG 2.5 MARK II FEMALE CONNECTOR 2-20 POSITION

PRODUCT SPEC: 108-18785  
 APPLICATION SPEC: 114-18467

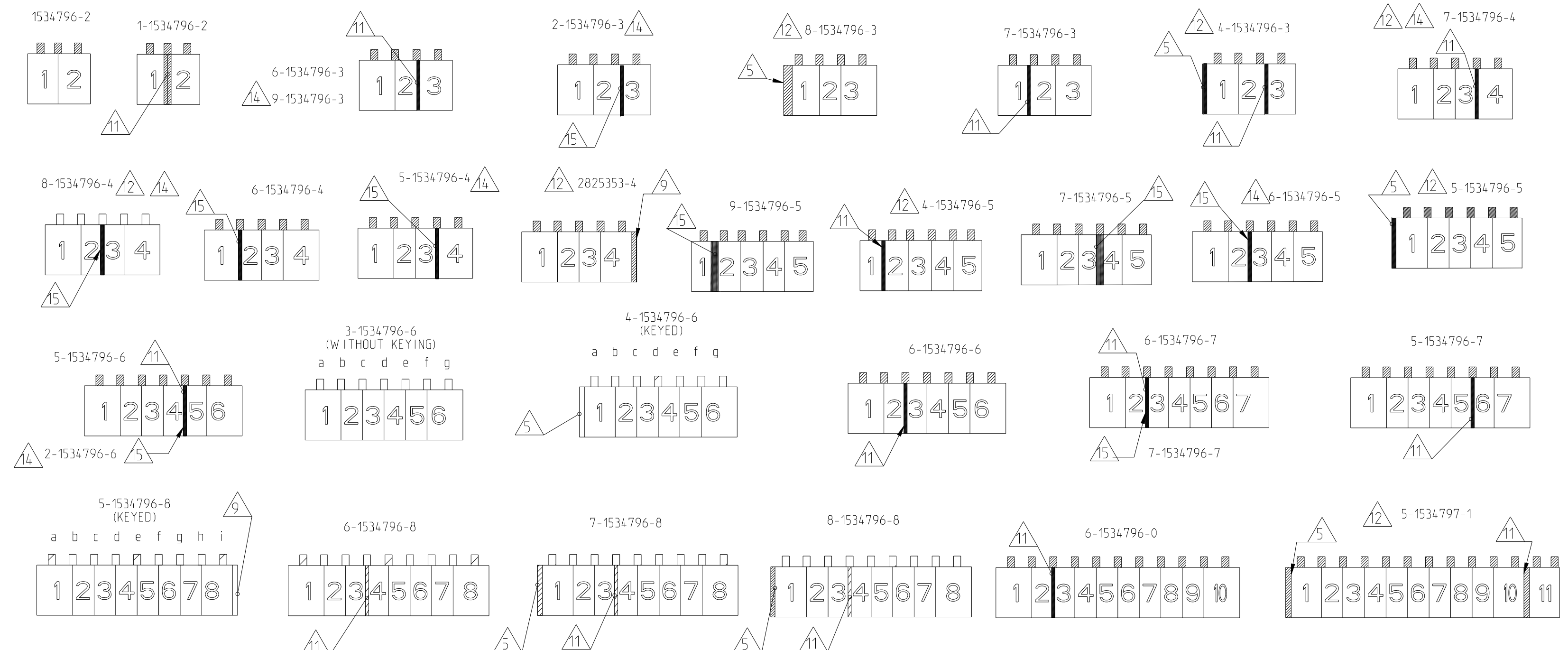
SIZE: A1 CAGE CODE: 00779 DRAWING NO: C=1534796 RESTRICTED TO: -

MATERIAL: - TOLERANCES UNLESS OTHERWISE SPECIFIED: 0 PLC ±0.2, 1 PLC ±0.2, 2 PLC ±0.2, 3 PLC ±, 4 PLC ±, ANGLES FINISH ±1° WEIGHT: -

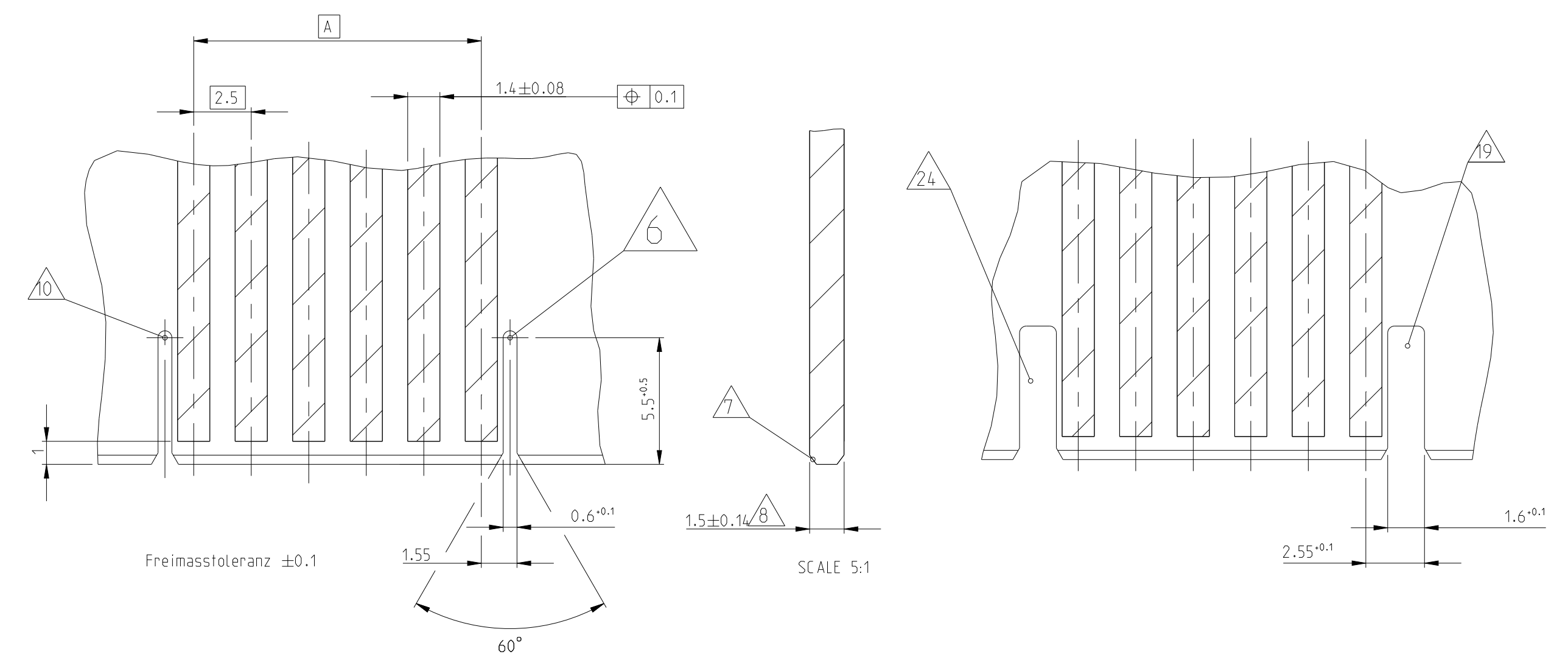
Customer Drawing SCALE: 5:1 SHEET: 2 OF 4 REV: 073

LOC		DIST		REVISIONS			
P	LTN	DATE	OWN	APVD	DESCRIPTION	DATE	OWN
-	-	-	-	-	SEE SHEET 1	-	-

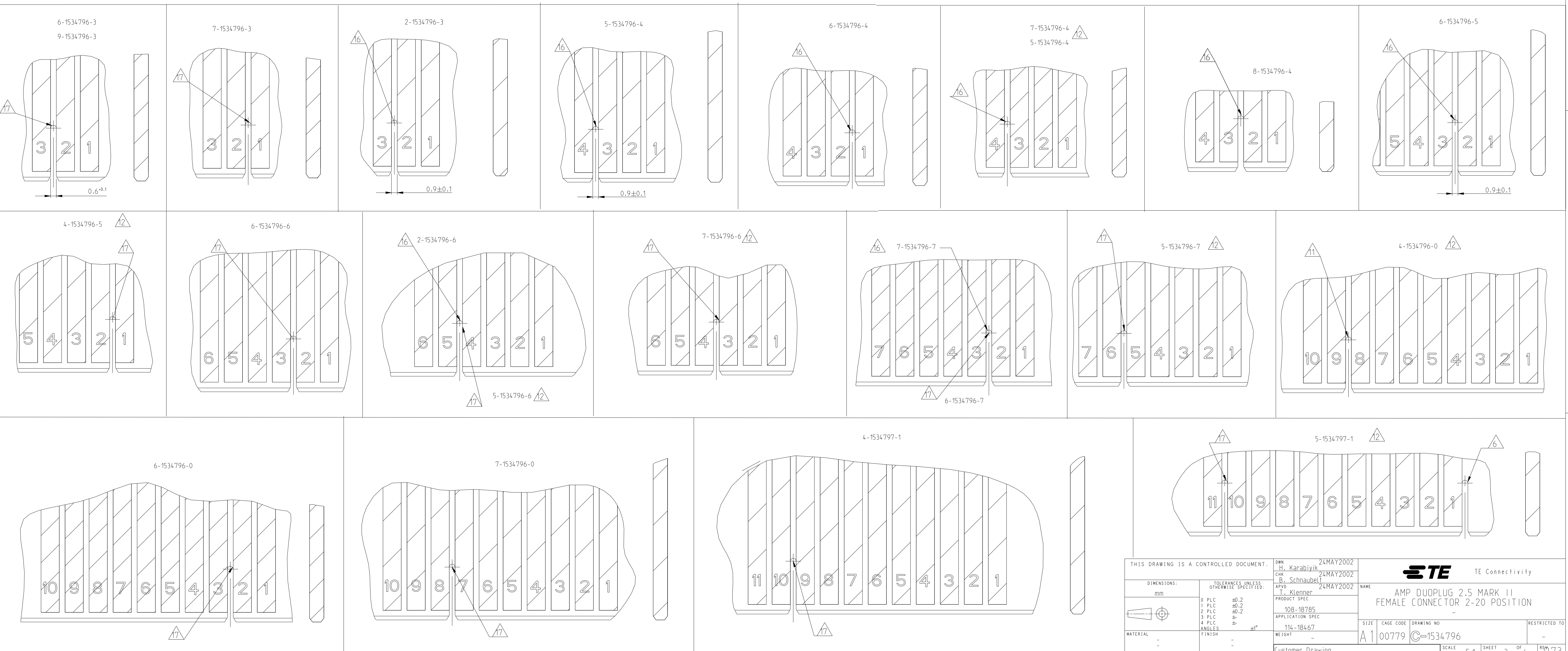
**KEYING PLAN (EXAMPLES)**  
 Kodierschema (Beispiele)



**PCB LAYOUT KEYED / CONNECTED ONLY WITH ADDITIONAL FRAME**  
 Leiterplattenanschluss kodiert / nur in Verbindung mit zusätzlichem Rahmen

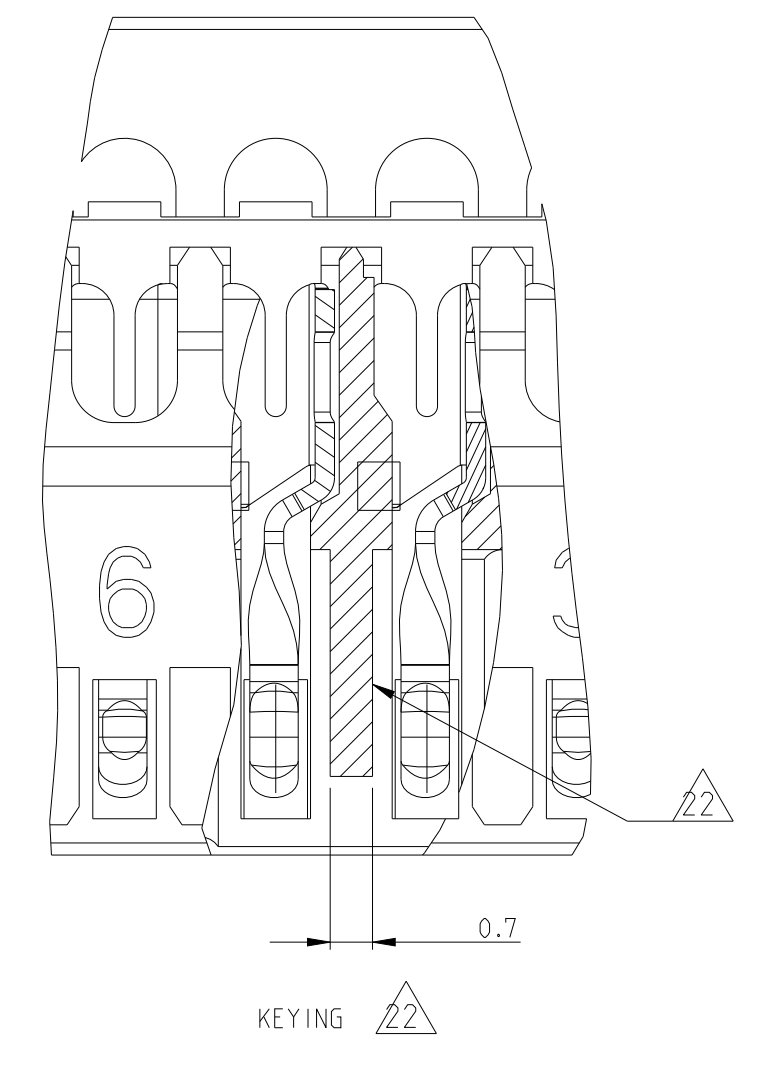
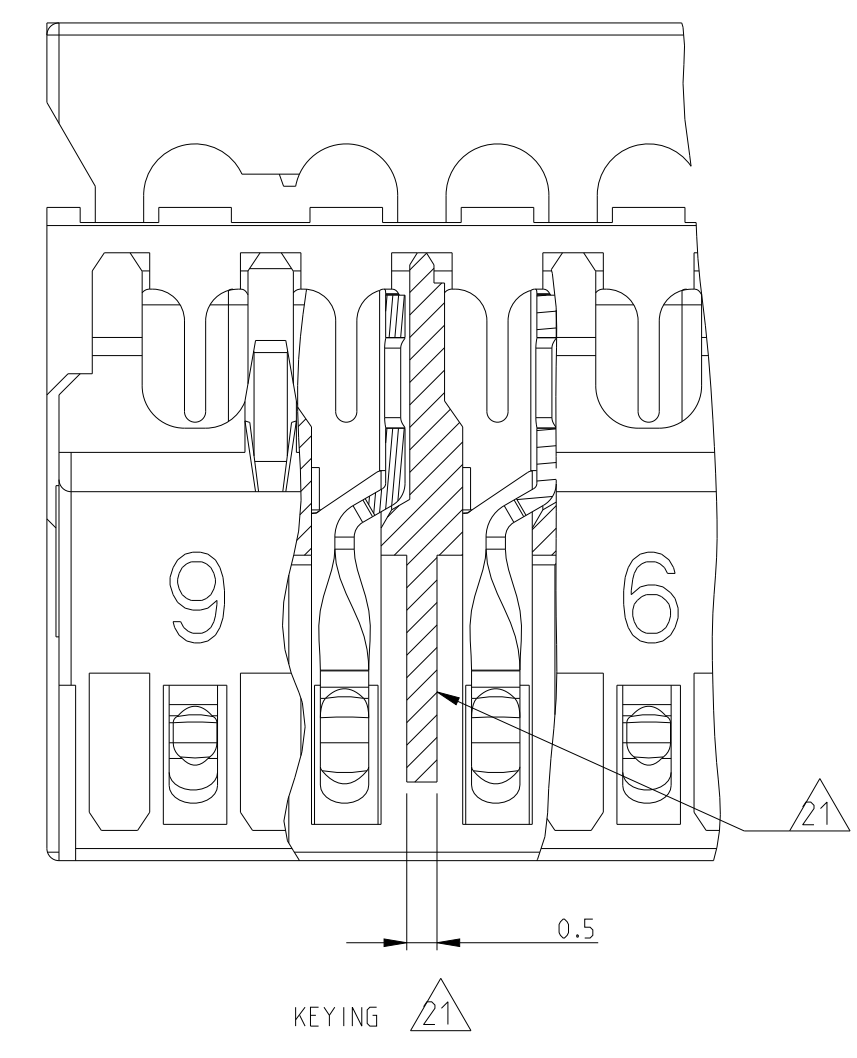


**PCB LAYOUT FOR KEYING BETWEEN POSITION**



THIS DRAWING IS A CONTROLLED DOCUMENT.		OWN: H. Karabiyik 24MAY2002	TE Connectivity NAME: AMP DUOPLUG 2.5 MARK II FEMALE CONNECTOR 2-20 POSITION SIZE: CAGE CODE DRAWING NO: 00779 C=1534796 RESTRICTED TO: -
DIMENSIONS: mm		CHK: B. Schnaubelt 24MAY2002	
TOLERANCES UNLESS OTHERWISE SPECIFIED: 0 PLC ±0.2 1 PLC ±0.2 2 PLC ±0.2 3 PLC ±0.2 4 PLC ±0.2 ANGLES ±° FINISH -		APVD: T. Klenner 24MAY2002 PRODUCT SPEC: 108-18785 APPLICATION SPEC: 114-18467 WEIGHT: - Customer Drawing	SCALE: 5:1 SHEET: 3 OF 4 REV: 073

LOC	DIST	REV	DATE	BY	APPV
A1	-	-	-	-	-

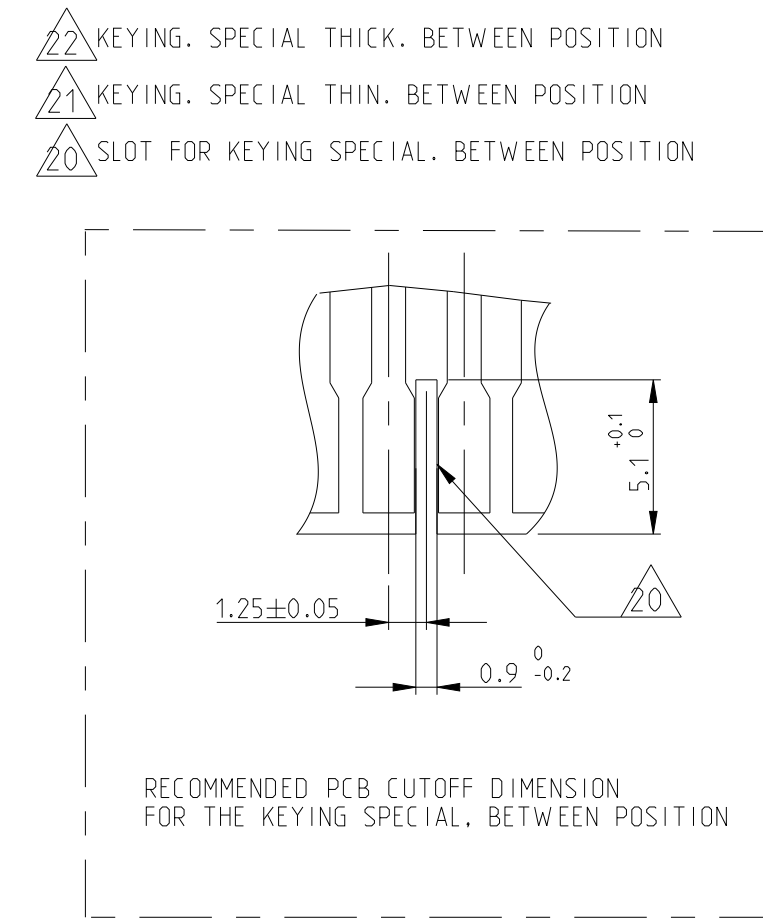


PA GF (A). GWEPT 750°C NO FLAME & UL94-V0. TIN PLATED VERSION

Color	POS.	DIM A	DIM B	KEYING 11	KEYING 15	KEYING 22	KEYING 21	KEYING 24	KEYING 19	KEYING 9	KEYING 5	PN Bestell-Nr.
Blue	20	47.5	52.4									1-2304526-0
	14	32.5	37.4									2304526-4
Blue	13	30	34.9					X				1-2304526-3
	12	27.5	32.4									2304526-2
	10	22.5	27.4									1-2304525-0
	9	20	24.9	-	-	-	-					3-2304525-9
Blue	8	17.5	22.4	-	-	-	-					2-2304525-8
	8	17.5	22.4	-	-	-	-					1-2304525-8
Brown	8	17.5	22.4	-	-	-	-	2/3				2304525-8
	7	15	19.9	-	-	-	-					2304525-7
Black	6	12.5	17.4	-	-	-	-					4-2304525-6
GREEN	6	12.5	17.4	-	-	-	-	1/2				3-2304525-6
Red	6	12.5	17.4	-	-	-	-	2/3				2-2304525-6
	6	12.5	17.4	-	-	-	-					1-2304525-6
Blue	6	12.5	17.4	-	-	-	-	4/5				2304525-6
	5	10	14.9	4/5								5-2304525-5
	5	10	14.9		1/2	-	-					4-2304525-5
Green	5	10	14.9	-	-	-	-	3/4				2-2304525-5
Brown	5	10	14.9	-	-	-	-	2/3				1-2304525-5
	5	10	14.9	-	-	-	-					2304525-5
Black	4	7.5	12.4	-	3/4	-	-					4-2304525-4
Blue	4	7.5	12.4	-	-	-	-					3-2304525-4
	4	7.5	12.4	-	-	-	-					2-2304525-4
Brown	4	7.5	12.4	-	-	-	-	1/2				1-2304525-4
Black	4	7.5	12.4	-	-	-	-	3/4				2304525-4
	3	5	9.9					X	X			4-2304525-3
Red	3	5	9.9			2/3						3-2304525-3
	3	5	9.9							X		2-2304525-3
	3	5	9.9	-	-	-	-					1-2304525-3
Black	3	5	9.9	-	-	1/2	-					2304525-3
Color Code	POS. Polzahl	DIM A	DIM B	KEYING 11	KEYING 15	KEYING 22	KEYING 21	KEYING 24	KEYING 19	KEYING 9	KEYING 5	PN Bestell-Nr.
		2	SEE TABLE	CONTACT				CuSn				TINNED
		1	SEE TABLE	HOUSING				HIGH TEMP PLASTIC				NATUR
	SL NO	PN	DESCRIPTION	MATERIAL				COLOUR/FINISH				

PA GF (B). GWEPT 750°C NO FLAME & UL94-V0. NATURAL. TIN PLATED VERSION

Color	POS.	DIM A	DIM B	KEYING 11	KEYING 15	KEYING 22	KEYING 21	KEYING 24	KEYING 19	KEYING 9	KEYING 5	PN Bestell-Nr.
	10	22.5	27.4									1-2406003-0
	8	17.5	22.4									2406003-8
	6	12.5	17.4									2406003-6
	5	10	14.9									2406003-5
	4	7.5	12.4									2406003-4
	3	5	9.9									2406003-3
Color Code	POS. Polzahl	DIM A	DIM B	KEYING 11	KEYING 15	KEYING 22	KEYING 21	KEYING 24	KEYING 19	KEYING 9	KEYING 5	PN Bestell-Nr.
		2	SEE TABLE	CONTACT				CuSn				TINNED
		1	SEE TABLE	HOUSING				HIGH TEMP PLASTIC				NATUR
	SL NO	PN	DESCRIPTION	MATERIAL				COLOUR/FINISH				



THIS DRAWING IS A CONTROLLED DOCUMENT.

OWN: H. Karabiyik 24MAY2002  
 CHK: B. Schnaubelt 24MAY2002  
 APPV: T. Klenner 24MAY2002

TE Connectivity

NAME: AMP DUOPLUG 2.5 MARK II FEMALE CONNECTOR 2-20 POSITION

PRODUCT SPEC: 108-18785  
 APPLICATION SPEC: 116-18467

SIZE: A1  
 CAGE CODE: 00779  
 DRAWING NO: 1534796

RESTRICTED TO: -

Customer Drawing  
 SCALE: 5:1  
 SHEET: 4 OF 4  
 REV: 073