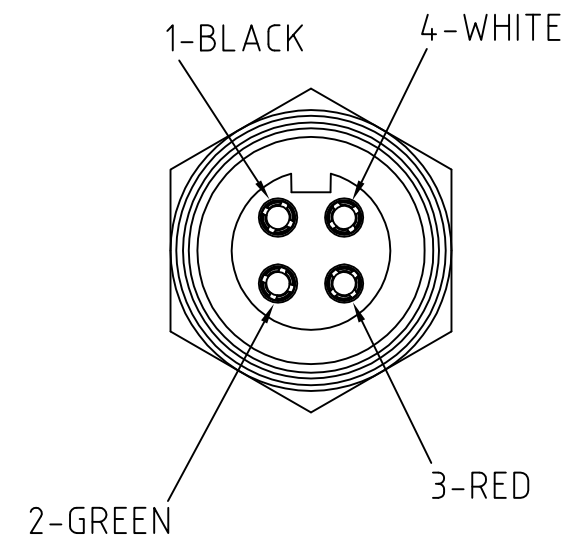
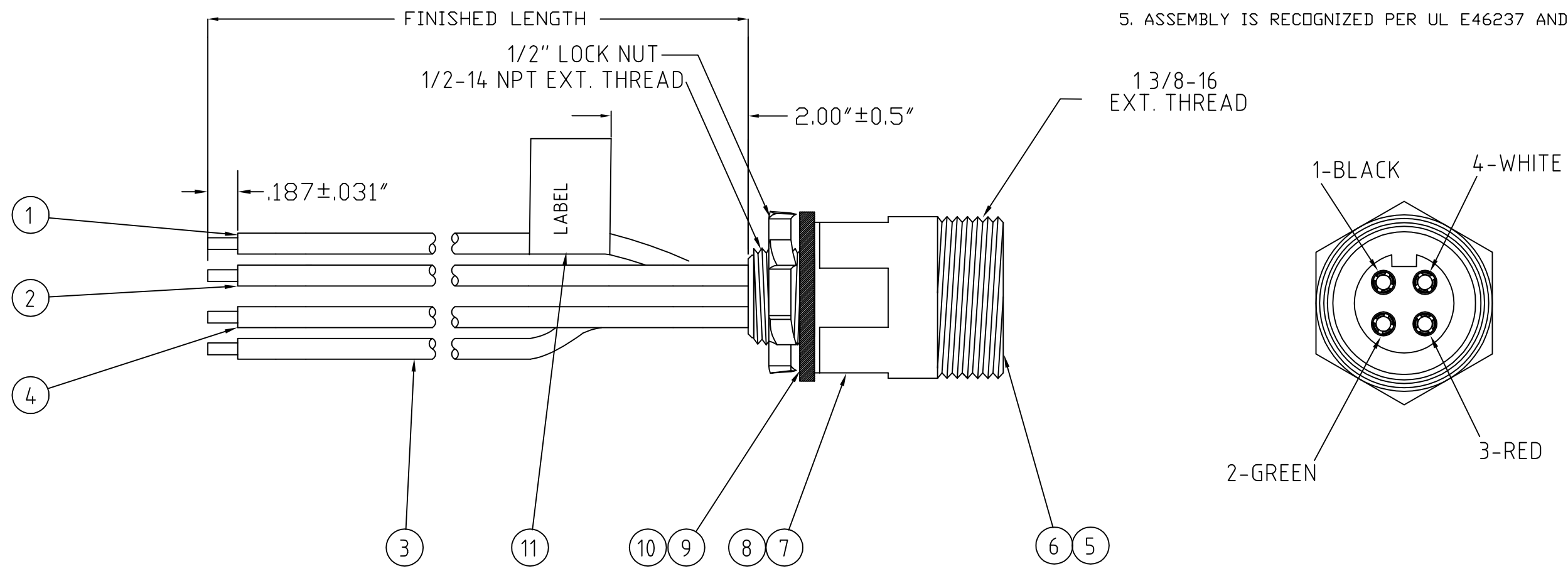


10	9	8	7	6	5	4	3	2	1
MATERIAL NUMBER	ENGINEERING NUMBER	LENGTH							
1300030127	6R4004A29F0306	3 FT							

- NOTES:
1. MATERIAL: SEE TABLE
  2. FINISHES: SEE TABLE
  3. ELECTRICAL SPECIFICATIONS: 600 VOLTS 20 AMPS
  4. ASSEMBLY IS ROHS COMPLIANT
  5. ASSEMBLY IS RECOGNIZED PER UL E46237 AND CERTIFIED PER CSA LR6837



11	1	FLAG LABEL	VINYL	YELLOW
10	1	LOCKNUT	STEEL	ZINC PLATE
9	1	GASKET	NEOPRENE	BLACK
8	A/R	EPOXY RESIN AND HARDENER		BLACK
7	1	RECEPTACLE SHELL	ALUMINUM ALLOY	CLEAR ANODIZE
6	1	FEMALE INSERT	NITRILE PVC RUBBER	YELLOW
5	4	SOCKET CONTACT	COPPER	GOLD PLATED
4	SEE TABLE	#10-1 WIRE THHN	PVC JACKET	GREEN
3	SEE TABLE	#10-1 WIRE THHN	PVC JACKET	RED
2	SEE TABLE	#10-1 WIRE THHN	PVC JACKET	BLACK
1	SEE TABLE	#10-1 WIRE THHN	PVC JACKET	WHITE
ITEM	QTY	DESCRIPTION	MATERIAL	FINISH

EC NO: WNA2009-0083 DRWN: MODELL 2008/08/05 CHKD: --- APPR: RDEROSS 2008/08/07	DESCRIPTION REV	<b>QUALITY SYMBOLS</b> ▽=0 ◻=0	<b>GENERAL TOLERANCES (UNLESS SPECIFIED)</b> <table border="1"> <tr> <td></td> <td>mm</td> <td>INCH</td> </tr> <tr> <td>4 PLACES</td> <td>±---</td> <td>±---</td> </tr> <tr> <td>3 PLACES</td> <td>±---</td> <td>±---</td> </tr> <tr> <td>2 PLACES</td> <td>±---</td> <td>±---</td> </tr> <tr> <td>1 PLACE</td> <td>±---</td> <td>±---</td> </tr> </table>		mm	INCH	4 PLACES	±---	±---	3 PLACES	±---	±---	2 PLACES	±---	±---	1 PLACE	±---	±---	DIMENSION STYLE ----	SCALE ----	DESIGN UNITS ----	THIRD ANGLE PROJECTION
			mm	INCH																		
		4 PLACES	±---	±---																		
		3 PLACES	±---	±---																		
2 PLACES	±---	±---																				
1 PLACE	±---	±---																				
DRAFT WHERE APPLICABLE MUST REMAIN WITHIN DIMENSIONS			DRAWN BY: <b>MODELL</b> DATE: <b>2008/08/05</b> CHECKED BY: <b>RDEROSS</b> DATE: <b>2008/08/05</b> APPROVED BY: <b>RDEROSS</b> DATE: <b>2008/08/05</b>	TITLE: <b>QC FEM 1/2" NPT RECPT 4 POLE 12 AWG ALUMINUM SHELL</b>																		
MATERIAL NO.			SEE TABLE		DOCUMENT NO. <b>SD-130003-001</b>		SHEET NO. <b>1 OF 1</b>															
THIS DRAWING CONTAINS INFORMATION THAT IS PROPRIETARY TO MOLEX INCORPORATED AND SHOULD NOT BE USED WITHOUT WRITTEN PERMISSION																						

10	9	8	7	6	5	4	3	2	1
----	---	---	---	---	---	---	---	---	---