



SECTION B-B



- NOTES:
- 1) HOUSING MATERIAL: GLASS FILLED HIGH TEMP THERMOPLASTIC, COLOR: BLACK
  - 2) TERMINAL MATERIAL: PHOSPHOR BRONZE
  - 3) SEE SHT 2&3 FOR CKT SIZE, PART NUMBERS AND OVERALL DIMENSIONS, SEE SHT 4 FOR VOIDS.
  - 4) FOR ILLUSTRATION, 6 CKT ASSY SHOWN.
  - 5) REFER TO PRODUCT SPEC PS-79107
  - 6) PACKAGING SPECIFICATION:  
TUBE: PK-70873-0180  
T&R: 791070001
  - 7) CKTS NUMBERED FROM LEFT TO RIGHT WHEN PART IS VIEWED FROM TOP WITH RECESS ON THE RIGHT
  - 8) SOLDER TAIL TO BE MEASURED BY PITCH GAUGE.



PLATING OPTION:

- PLATING OPTIONS:
- 4 - 0.76µM MIN. GOLD PLATE IN SELECTED AREA  
1.90µM MIN. TIN PLATE IN SELECTED AREA  
OVER 1.25µM MIN. NICKEL OVERALL
  - 5 - 0.38µM MIN. GOLD PLATE IN SELECTED AREA  
1.90µM MIN. TIN PLATE IN SELECTED AREA  
OVER 1.25µM MIN. NICKEL OVERALL
  - 6 - 0.05µM MIN. GOLD PLATE IN SELECTED AREA  
1.02µM MIN. TIN PLATE IN SELECTED AREA  
OVER 1.02µM MIN. NICKEL OVERALL



SECTION A-A

|   |                      |               |                |               |               |  |     |                 |                        |   |                 |                |              |
|---|----------------------|---------------|----------------|---------------|---------------|--|-----|-----------------|------------------------|---|-----------------|----------------|--------------|
| THIS DRAWING CONTAINS INFORMATION THAT IS PROPRIETARY TO MOLEX ELECTRONIC TECHNOLOGIES, LLC AND SHOULD NOT BE USED WITHOUT WRITTEN PERMISSION |                      |               |                |               |               |  |     |                 |                        |   |                 |                |              |
| QUALITY SYMBOLS   | SHT3: ADD 79107-7417 | EC NO: 173923 | DRWN: GMENARLY | CHKD: ISHWARG | APPR: ISHWARG | GENERAL TOLERANCES (UNLESS SPECIFIED)                |     | DIMENSION UNITS | SCALE                  |   |                 |                |              |
|   |                      |               |                |               |               | ANGULAR TOL ± 0.5 °                                  |     | MM              | NTS                    |   |                 |                |              |
| ▽ = 0   |                      |               |                |               |               | 4 PLACES ±   |     | DRWN BY         | DATE                   | 2MM DUAL ROW<br>VERTICAL RECEPTACLE T/H |                 |                |              |
| ▽ = 0   |                      |               |                |               |               | 3 PLACES ±   | AAB |                 | 1989/05/15             |   |                 |                |              |
| ▽ = 1   |                      |               |                |               |               | 2 PLACES ± 0.25                                      |     | CHK'D BY        | DATE                   | PRODUCT CUSTOMER DRAWING                |                 |                |              |
| ▽ = 0   |                      |               |                |               |               | 1 PLACE ±  | MJM |                 | 1989/05/15             |   |                 |                |              |
| ▽ = 0   |                      |               |                |               |               | 0 PLACES ±   |     | APPR BY         | DATE                   | PRODUCT CUSTOMER DRAWING                |                 |                |              |
| ▽ = 0   |                      |               |                |               |               | DRAFT WHERE APPLICABLE MUST REMAIN WITHIN DIMENSIONS | WAZ |                 | 1989/05/15             |   |                 |                |              |
| ▽ = 0   |                      |               |                |               |               |  |     | DRAWING SIZE    | THIRD ANGLE PROJECTION | SERIES                                  | MATERIAL NUMBER | CUSTOMER       |              |
|   |                      |               |                |               |               |  |     | B               |                        | 79107                                   | SEE TABLE       | GENERAL MARKET |              |
|   |                      |               |                |               |               |  |     |                 |                        | DOCUMENT NUMBER                         | DOC TYPE        | DOC PART       | SHEET NUMBER |
|   |                      |               |                |               |               |  |     |                 |                        | SDA-79107-++++                          | PSD             | 001            | 1 OF 4       |

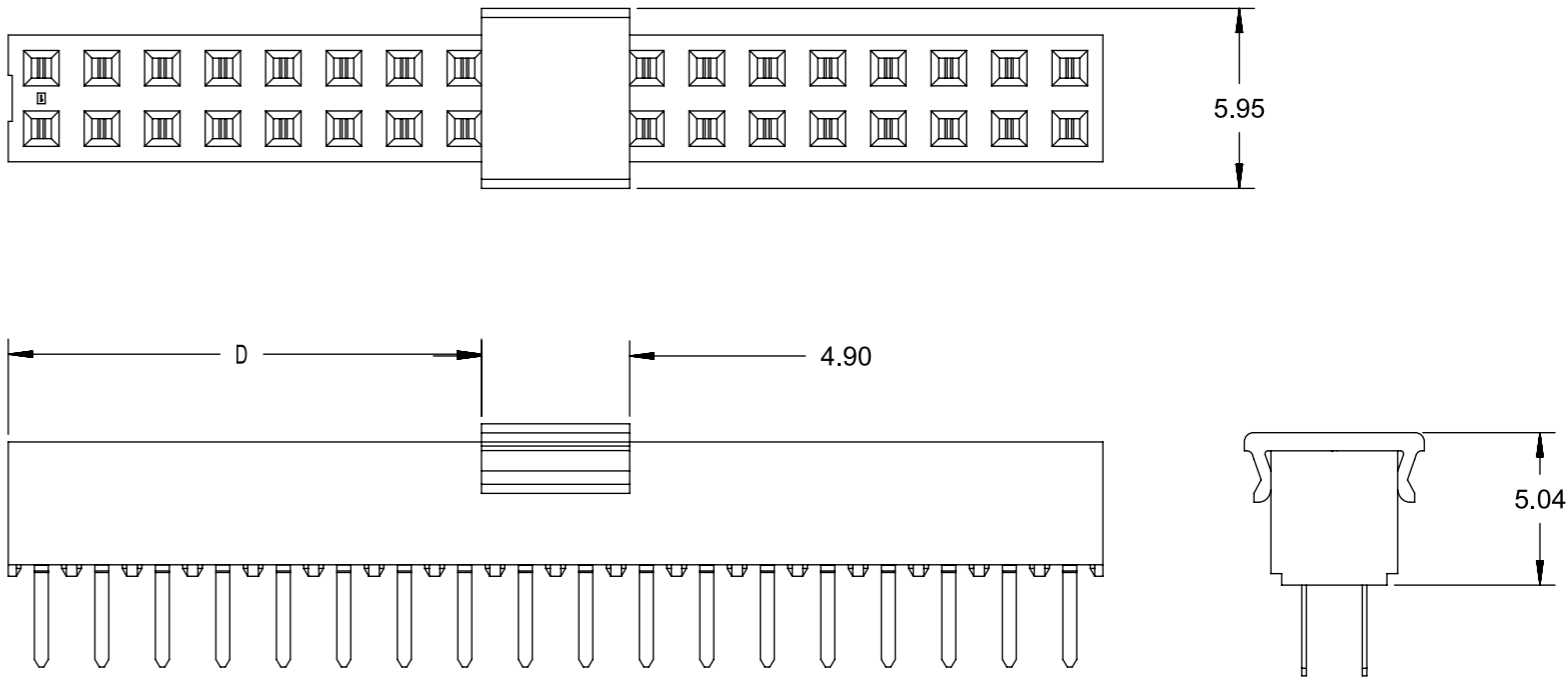
# ASSEMBLY WITHOUT CAP IN TUBE

| CKT SIZE | DIM A | DIM B | PC TAIL DIMENSION "C" = 3.00 |                   |                   | PC TAIL DIMENSION "C" = 1.90 |                   |                   |   |            |
|----------|-------|-------|------------------------------|-------------------|-------------------|------------------------------|-------------------|-------------------|---|------------|
|          |       |       | PLATING OPTION: 5            | PLATING OPTION: 4 | PLATING OPTION: 6 | PLATING OPTION: 5            | PLATING OPTION: 4 | PLATING OPTION: 6 |   |            |
| 04       | 4.19  | 2.00  | 79107-7001                   | 79107-7051        | X                 | 79107-7126                   | 79107-7201        | 79107-7251        | X | 79107-7326 |
| 06       | 6.19  | 4.00  | 79107-7002                   | 79107-7052        | X                 | 79107-7127                   | 79107-7202        | 79107-7252        | X | 79107-7327 |
| 08       | 8.19  | 6.00  | 79107-7003                   | 79107-7053        | X                 | 79107-7128                   | 79107-7203        | 79107-7253        | X | 79107-7328 |
| 10       | 10.19 | 8.00  | 79107-7004                   | 79107-7054        | X                 | 79107-7129                   | 79107-7204        | 79107-7254        | X | 79107-7329 |
| 12       | 12.19 | 10.00 | 79107-7005                   | 79107-7055        |                   | 79107-7130                   | 79107-7205        | 79107-7255        |   | 79107-7330 |
| 14       | 14.19 | 12.00 | 79107-7006                   | 79107-7056        | X                 | 79107-7131                   | 79107-7206        | 79107-7256        | X | 79107-7331 |
| 16       | 16.19 | 14.00 | 79107-7007                   | 79107-7057        | X                 | 79107-7132                   | 79107-7207        | 79107-7257        | X | 79107-7332 |
| 18       | 18.19 | 16.00 | 79107-7008                   | 79107-7058        | X                 | 79107-7133                   | 79107-7208        | 79107-7258        | X | 79107-7333 |
| 20       | 20.19 | 18.00 | 79107-7009                   | 79107-7059        | X                 | 79107-7134                   | 79107-7209        | 79107-7259        | X | 79107-7334 |
| 22       | 22.19 | 20.00 | 79107-7010                   | 79107-7060        | X                 | 79107-7135                   | 79107-7210        | 79107-7260        | X | 79107-7335 |
| 24       | 24.19 | 22.00 | 79107-7011                   | 79107-7061        | X                 | 79107-7136                   | 79107-7211        | 79107-7261        | X | 79107-7336 |
| 26       | 26.19 | 24.00 | 79107-7012                   | 79107-7062        | X                 | 79107-7137                   | 79107-7212        | 79107-7262        | X | 79107-7337 |
| 28       | 28.19 | 26.00 | 79107-7013                   | 79107-7063        | X                 | 79107-7138                   | 79107-7213        | 79107-7263        | X | 79107-7338 |
| 30       | 30.19 | 28.00 | 79107-7014                   | 79107-7064        | X                 | 79107-7139                   | 79107-7214        | 79107-7264        | X | 79107-7339 |
| 32       | 32.19 | 30.00 | 79107-7015                   | 79107-7065        | X                 | 79107-7140                   | 79107-7215        | 79107-7265        | X | 79107-7340 |
| 34       | 34.19 | 32.00 | 79107-7016                   | 79107-7066        | X                 | 79107-7141                   | 79107-7216        | 79107-7266        | X | 79107-7341 |
| 36       | 36.19 | 34.00 | 79107-7017                   | 79107-7067        | X                 | 79107-7142                   | 79107-7217        | 79107-7267        | X | 79107-7342 |
| 38       | 38.19 | 36.00 | 79107-7018                   | 79107-7068        | X                 | 79107-7143                   | 79107-7218        | 79107-7268        | X | 79107-7343 |
| 40       | 40.19 | 38.00 | 79107-7019                   | 79107-7069        | X                 | 79107-7144                   | 79107-7219        | 79107-7269        | X | 79107-7344 |
| 42       | 42.19 | 40.00 | 79107-7020                   | 79107-7070        | X                 | 79107-7145                   | 79107-7220        | 79107-7270        | X | 79107-7345 |
| 44       | 44.19 | 42.00 | 79107-7021                   | 79107-7071        | X                 | 79107-7146                   | 79107-7221        | 79107-7271        | X | 79107-7346 |
| 46       | 46.19 | 44.00 | 79107-7022                   | 79107-7072        | X                 | 79107-7147                   | 79107-7222        | 79107-7272        | X | 79107-7347 |
| 48       | 48.19 | 46.00 | 79107-7023                   | 79107-7073        | X                 | 79107-7148                   | 79107-7223        | 79107-7273        | X | 79107-7348 |
| 50       | 50.19 | 48.00 | 79107-7024                   | 79107-7074        | X                 | 79107-7149                   | 79107-7224        | 79107-7274        | X | 79107-7349 |

|  |   |                |              |       |       |       |       |       |  |  |  |                              |                     |                       |                    |                        |                    |                       |                    |                           |                            |  |        |                 |          |       |           |                |                 |          |          |              |                |     |     |        |
|--|---|----------------|--------------|-------|-------|-------|-------|-------|--|--|--|------------------------------|---------------------|-----------------------|--------------------|------------------------|--------------------|-----------------------|--------------------|---------------------------|----------------------------|--|--------|-----------------|----------|-------|-----------|----------------|-----------------|----------|----------|--------------|----------------|-----|-----|--------|
| QUALITY SYMBOLS  | THIS DRAWING CONTAINS INFORMATION THAT IS PROPRIETARY TO MOLEX ELECTRONIC TECHNOLOGIES, LLC AND SHOULD NOT BE USED WITHOUT WRITTEN PERMISSION |                |              |       |       |       |       |       |  |  |  |                              |                     |                       |                    |                        |                    |                       |                    |                           |                            |  |        |                 |          |       |           |                |                 |          |          |              |                |     |     |        |
| <table style="width: 100%; border-collapse: collapse;"> <tr><td style="text-align: center;">▽ = 0</td></tr> <tr><td style="text-align: center;">▽ = 0</td></tr> <tr><td style="text-align: center;">▽ = 0</td></tr> <tr><td style="text-align: center;">▼ = 0</td></tr> <tr><td style="text-align: center;">▽ = 0</td></tr> <tr><td style="text-align: center;">⊗ = 0</td></tr> <tr><td style="text-align: center;">■ = 0</td></tr> <tr><td style="text-align: center;">▽ = 0</td></tr> </table> | ▽ = 0   | ▽ = 0          | ▽ = 0        | ▼ = 0 | ▽ = 0 | ⊗ = 0 | ■ = 0 | ▽ = 0 | SHT3: ADD 79107-7417<br>EC NO: 173923<br>DRWN: GMENARLY<br>CHK'D: ISHWARG<br>APPR: ISHWARG | 2017/11/27<br>2018/03/23<br>2018/03/23 | GENERAL TOLERANCES (UNLESS SPECIFIED)<br>ANGULAR TOL ± 0.5 °<br>4 PLACES ±<br>3 PLACES ±<br>2 PLACES ± 0.25<br>1 PLACE ±<br>0 PLACES ±<br>DRAFT WHERE APPLICABLE MUST REMAIN WITHIN DIMENSIONS | DIMENSION UNITS<br><b>MM</b> | SCALE<br><b>NTS</b> | DRWN BY<br><b>AAB</b> | DATE<br>1989/05/15 | CHK'D BY<br><b>MJM</b> | DATE<br>1989/05/15 | APPR BY<br><b>WAZ</b> | DATE<br>1989/05/15 | DRAWING SIZE<br><b>A3</b> | THIRD ANGLE PROJECTION<br> | <p style="text-align: center; font-weight: bold; margin-top: 10px;">2MM DUAL ROW<br/>VERTICAL RECEPTACLE T/H</p> <p style="text-align: center; font-weight: bold; margin-top: 10px;">PRODUCT CUSTOMER DRAWING</p> <table style="width: 100%; font-size: x-small; border-collapse: collapse;"> <tr> <td style="width: 25%;">SERIES</td> <td style="width: 40%;">MATERIAL NUMBER</td> <td style="width: 35%;">CUSTOMER</td> </tr> <tr> <td style="text-align: center;">79107</td> <td style="text-align: center;">SEE TABLE</td> <td style="text-align: center;">GENERAL MARKET</td> </tr> </table> <table style="width: 100%; font-size: x-small; border-collapse: collapse; margin-top: 5px;"> <tr> <td style="width: 60%;">DOCUMENT NUMBER</td> <td style="width: 10%;">DOC TYPE</td> <td style="width: 10%;">DOC PART</td> <td style="width: 20%;">SHEET NUMBER</td> </tr> <tr> <td style="text-align: center;">SDA-79107-++++</td> <td style="text-align: center;">PSD</td> <td style="text-align: center;">001</td> <td style="text-align: center;">2 OF 4</td> </tr> </table> | SERIES | MATERIAL NUMBER | CUSTOMER | 79107 | SEE TABLE | GENERAL MARKET | DOCUMENT NUMBER | DOC TYPE | DOC PART | SHEET NUMBER | SDA-79107-++++ | PSD | 001 | 2 OF 4 |
| ▽ = 0  |   |                |              |       |       |       |       |       |  |  |  |                              |                     |                       |                    |                        |                    |                       |                    |                           |                            |  |        |                 |          |       |           |                |                 |          |          |              |                |     |     |        |
| ▽ = 0  |   |                |              |       |       |       |       |       |  |  |  |                              |                     |                       |                    |                        |                    |                       |                    |                           |                            |  |        |                 |          |       |           |                |                 |          |          |              |                |     |     |        |
| ▽ = 0  |   |                |              |       |       |       |       |       |  |  |  |                              |                     |                       |                    |                        |                    |                       |                    |                           |                            |  |        |                 |          |       |           |                |                 |          |          |              |                |     |     |        |
| ▼ = 0  |   |                |              |       |       |       |       |       |  |  |  |                              |                     |                       |                    |                        |                    |                       |                    |                           |                            |  |        |                 |          |       |           |                |                 |          |          |              |                |     |     |        |
| ▽ = 0  |   |                |              |       |       |       |       |       |  |  |  |                              |                     |                       |                    |                        |                    |                       |                    |                           |                            |  |        |                 |          |       |           |                |                 |          |          |              |                |     |     |        |
| ⊗ = 0  |   |                |              |       |       |       |       |       |  |  |  |                              |                     |                       |                    |                        |                    |                       |                    |                           |                            |  |        |                 |          |       |           |                |                 |          |          |              |                |     |     |        |
| ■ = 0  |   |                |              |       |       |       |       |       |  |  |  |                              |                     |                       |                    |                        |                    |                       |                    |                           |                            |  |        |                 |          |       |           |                |                 |          |          |              |                |     |     |        |
| ▽ = 0  |   |                |              |       |       |       |       |       |  |  |  |                              |                     |                       |                    |                        |                    |                       |                    |                           |                            |  |        |                 |          |       |           |                |                 |          |          |              |                |     |     |        |
| SERIES   | MATERIAL NUMBER   | CUSTOMER       |              |       |       |       |       |       |  |  |  |                              |                     |                       |                    |                        |                    |                       |                    |                           |                            |  |        |                 |          |       |           |                |                 |          |          |              |                |     |     |        |
| 79107  | SEE TABLE   | GENERAL MARKET |              |       |       |       |       |       |  |  |  |                              |                     |                       |                    |                        |                    |                       |                    |                           |                            |  |        |                 |          |       |           |                |                 |          |          |              |                |     |     |        |
| DOCUMENT NUMBER  | DOC TYPE  | DOC PART       | SHEET NUMBER |       |       |       |       |       |  |  |  |                              |                     |                       |                    |                        |                    |                       |                    |                           |                            |  |        |                 |          |       |           |                |                 |          |          |              |                |     |     |        |
| SDA-79107-++++   | PSD   | 001            | 2 OF 4       |       |       |       |       |       |  |  |  |                              |                     |                       |                    |                        |                    |                       |                    |                           |                            |  |        |                 |          |       |           |                |                 |          |          |              |                |     |     |        |

# ASSEMBLY WITH CAP IN TAPE & REEL

| CKT SIZE | ASSEMBLY PART NO | DIM A | DIM B | DIM C | DIM D | PLATING OPTION |
|----------|------------------|-------|-------|-------|-------|----------------|
| 36       | 79107-7417       | 36.19 | 34.00 | 3.00  | 15.65 | 5              |
|          |                  |       |       |       |       |                |
|          |                  |       |       |       |       |                |



|   |  |  |  |   |  |                        |  |   |  |                        |  |
|---|--|--|--|---|--|------------------------|--|---|--|------------------------|--|
| THIS DRAWING CONTAINS INFORMATION THAT IS PROPRIETARY TO MOLEX ELECTRONIC TECHNOLOGIES, LLC AND SHOULD NOT BE USED WITHOUT WRITTEN PERMISSION |  |  |  |   |  |                        |  |   |  |                        |  |
| <b>QUALITY SYMBOLS</b><br>▽A = 0<br>▽E = 0<br>▽F = 0<br>▼ = 0<br>▽C = 0<br>⊗ = 0<br>■ = 0<br>▽ = 0  | SHT3: ADD 79107-7417<br>EC NO: 173923<br>DRWN: GMENARLY<br>CHK'D: ISHWARG<br>APPR: ISHWARG | GENERAL TOLERANCES (UNLESS SPECIFIED)<br>ANGULAR TOL ± 0.5 ° |  | DIMENSION UNITS<br><b>MM</b>                            |  | SCALE<br><b>NTS</b>    |  |   |  |                        |  |
|   |  | 4 PLACES ±   |  | AAB   |  | DATE<br>1989/05/15     |  |   |  |                        |  |
|   |  | 3 PLACES ±   |  | CHK'D BY<br>MJM   |  | DATE<br>1989/05/15     |  | 2MM DUAL ROW<br>VERTICAL RECEPTACLE T/H |  |                        |  |
|   |  | 2 PLACES ± 0.25  |  | APPR BY<br>WAZ  |  | DATE<br>1989/05/15     |  |   |  |                        |  |
|   |  | 1 PLACE ±  |  | DRAWING SIZE<br><b>A3</b>                               |  | THIRD ANGLE PROJECTION |  | PRODUCT CUSTOMER DRAWING                |  |                        |  |
|   |  | 0 PLACES ±   |  | DRAFT WHERE APPLICABLE<br>MUST REMAIN WITHIN DIMENSIONS |  |                        |  |   |  |                        |  |
|   |  | RELEASE STATUS   P1   RELEASE DATE   2018/03/23 06:07:23     |  | DOCUMENT NUMBER<br>SDA-79107-++++                       |  | DOC TYPE<br>PSD        |  | DOC PART<br>001                         |  | SHEET NUMBER<br>3 OF 4 |  |

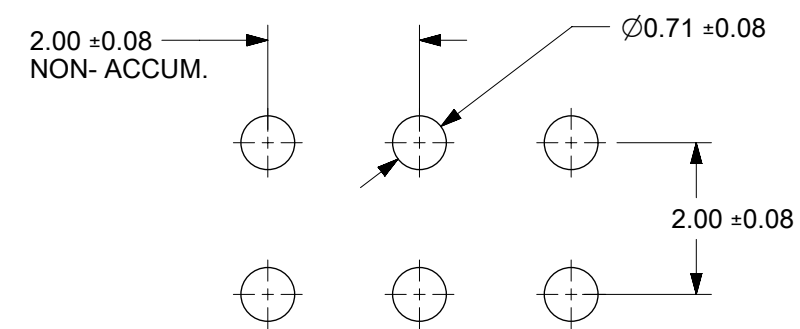
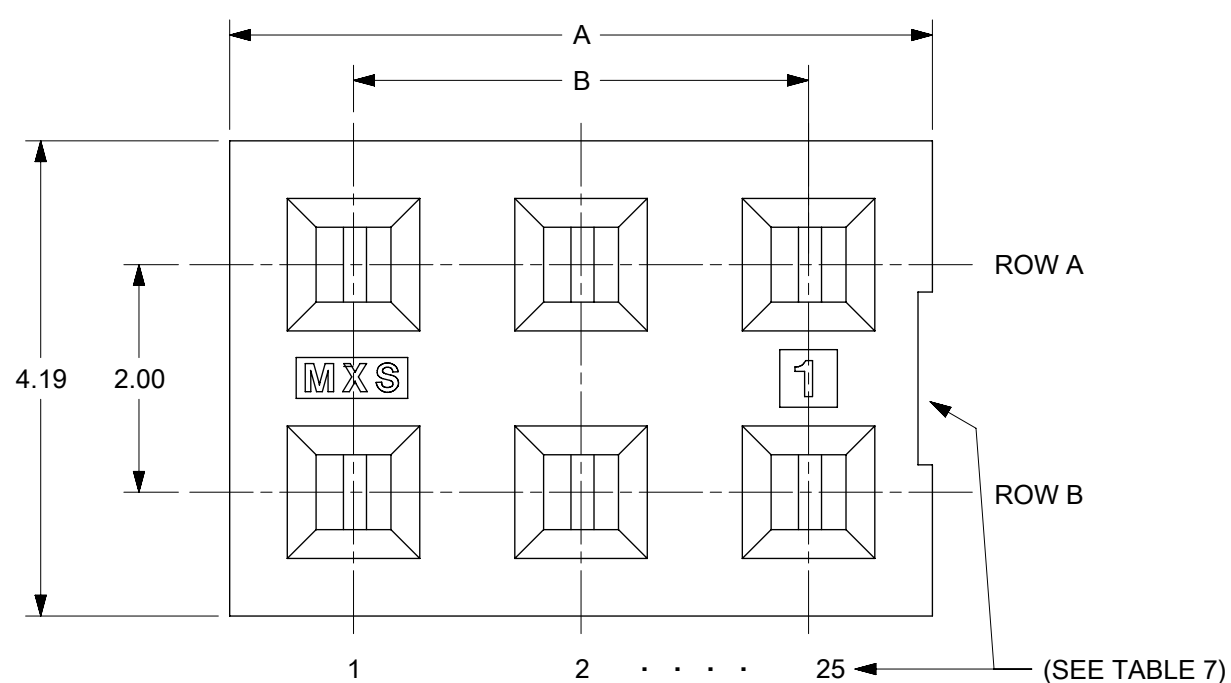
# MOLDED VOID OPTION ASSEMBLIES WITHOUT PEGS

| CKT SIZE | ASSEMBLY   | HOUSING     |            | VOID LOCATION(S)<br>SEE SHEET 1 FOR CONVENTION |              | TERMINAL  |            | PLATING<br>OPTIONS | DIM A | DIM B | DIM C<br>PC TAIL |
|----------|------------|-------------|------------|--|--------------|-----------|------------|--------------------|-------|-------|------------------|
|          |            | EDP NO.     | ENG. NO    | ROW  | CKT. NO. (S) | EDP NO.   | ENG. NO    |                    |       |       |                  |
| 24       | 79107-5101 | 050-40-1422 | 79105-0501 | ROW B  | 6            | 791061012 | 79106-1012 | 5                  | 24.19 | 22.00 | 3.00             |
| 10       | 79107-5102 | 050-40-1410 | 79105-0504 | ROW A  | 5            | 791061012 | 79106-1012 | 5                  | 10.19 | 8.00  | 3.00             |
| 26       | 79107-5103 | 050-40-1426 | 79105-0505 | ROW B  | 5            | 791061012 | 79106-1012 | 5                  | 26.19 | 24.00 | 3.00             |
| 20       | 79107-5104 | 79105-0510  | 79105-0510 | ROW A  | 7            | 791061112 | 79106-1112 | 5                  | 20.19 | 18.00 | 1.91             |
| 24       | 79107-5105 | 79105-0511  | 79105-0511 | ROW B  | 10           | 791061112 | 79106-1112 | 5                  | 24.19 | 22.00 | 1.91             |
| 20       | 79107-5106 | 79105-0510  | 79105-0510 | ROW A  | 7            | 791061012 | 79106-1012 | 5                  | 20.19 | 18.00 | 3.00             |
| 24       | 79107-5107 | 79105-0511  | 79105-0511 | ROW B  | 10           | 791061012 | 79106-1012 | 5                  | 24.19 | 22.00 | 3.00             |
|          |            |             |            |  |              |           |            |                    |       |       |                  |
|          |            |             |            |  |              |           |            |                    |       |       |                  |

**NOTES:**

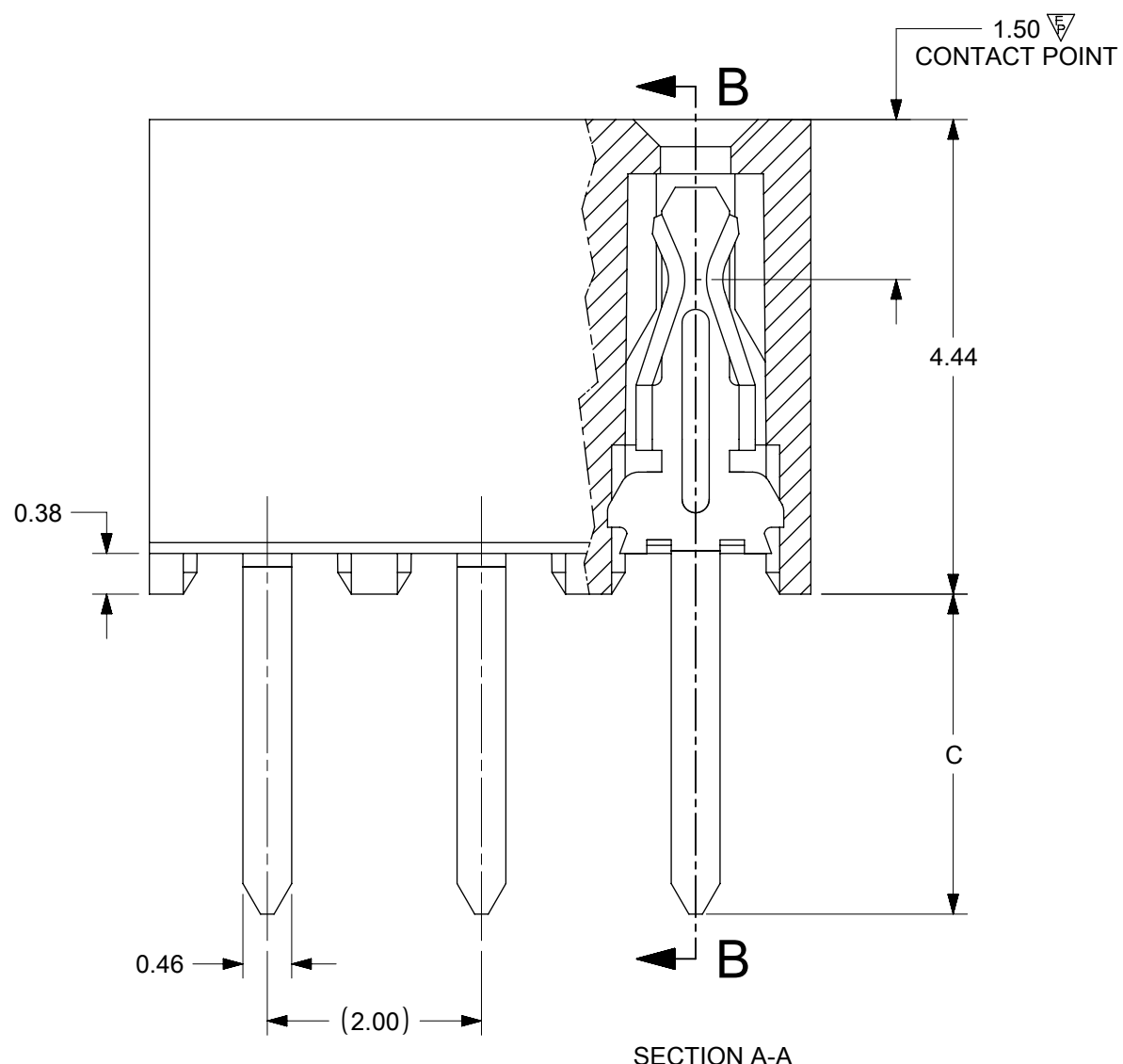
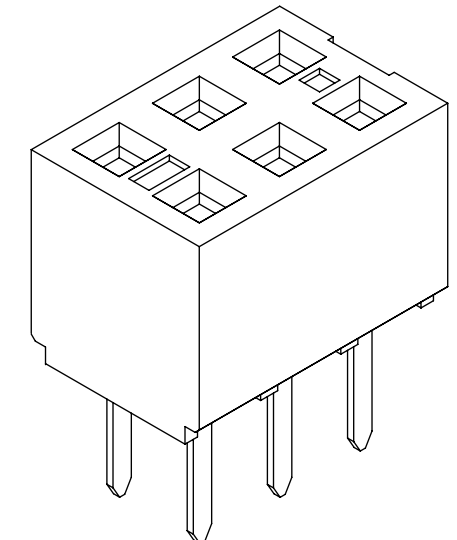
1. TERMINALS WILL BE PRESENT IN VOIDED LOCATIONS. HOWEVER, PIN WINDOWS WILL BE CLOSED
2. VOIDS CAN ONLY BE PRESENT IN ONE ROW OF A CONNECTOR

|  |   |                    |                    |  |                           |                            |       |                                 |  |  |   |                              |                     |                       |                           |                        |                           |                       |                           |
|--|---|--------------------|--------------------|--|---------------------------|----------------------------|-------|---------------------------------|--|--|---|------------------------------|---------------------|-----------------------|---------------------------|------------------------|---------------------------|-----------------------|---------------------------|
| <b>QUALITY SYMBOLS</b>   | THIS DRAWING CONTAINS INFORMATION THAT IS PROPRIETARY TO MOLEX ELECTRONIC TECHNOLOGIES, LLC AND SHOULD NOT BE USED WITHOUT WRITTEN PERMISSION |                    |                    |  |                           |                            |       |                                 |  |  |   |                              |                     |                       |                           |                        |                           |                       |                           |
| <table style="width: 100%; border-collapse: collapse;"> <tr><td style="text-align: center;">▽<sup>A</sup> = 0</td></tr> <tr><td style="text-align: center;">▽<sup>E</sup> = 0</td></tr> <tr><td style="text-align: center;">▽<sup>P</sup> = 0</td></tr> <tr><td style="text-align: center;">▼ = 0</td></tr> <tr><td style="text-align: center;">▽<sup>C</sup> = 0</td></tr> <tr><td style="text-align: center;">⊗ = 0</td></tr> <tr><td style="text-align: center;">■ = 0</td></tr> <tr><td style="text-align: center;">▽<sup>U</sup> = 0</td></tr> </table> | ▽ <sup>A</sup> = 0  | ▽ <sup>E</sup> = 0 | ▽ <sup>P</sup> = 0 | ▼ = 0  | ▽ <sup>C</sup> = 0        | ⊗ = 0                      | ■ = 0 | ▽ <sup>U</sup> = 0              | SHT3: ADD 79107-7417<br>EC NO: 173923<br>DRWN: GMENARLY<br>CHK'D: ISHWARG<br>APPR: ISHWARG | 2017/11/27<br>2018/03/23<br>2018/03/23 | <b>GENERAL TOLERANCES<br/>(UNLESS SPECIFIED)</b><br>ANGULAR TOL ± 0.5 °<br>4 PLACES ±<br>3 PLACES ±<br>2 PLACES ± 0.25<br>1 PLACE ±<br>0 PLACES ±<br>DRAFT WHERE APPLICABLE<br>MUST REMAIN<br>WITHIN DIMENSIONS | DIMENSION UNITS<br><b>MM</b> | SCALE<br><b>NTS</b> | DRWN BY<br><b>AAB</b> | DATE<br><b>1989/05/15</b> | CHK'D BY<br><b>MJM</b> | DATE<br><b>1989/05/15</b> | APPR BY<br><b>WAZ</b> | DATE<br><b>1989/05/15</b> |
| ▽ <sup>A</sup> = 0   |   |                    |                    |  |                           |                            |       |                                 |  |  |   |                              |                     |                       |                           |                        |                           |                       |                           |
| ▽ <sup>E</sup> = 0   |   |                    |                    |  |                           |                            |       |                                 |  |  |   |                              |                     |                       |                           |                        |                           |                       |                           |
| ▽ <sup>P</sup> = 0   |   |                    |                    |  |                           |                            |       |                                 |  |  |   |                              |                     |                       |                           |                        |                           |                       |                           |
| ▼ = 0  |   |                    |                    |  |                           |                            |       |                                 |  |  |   |                              |                     |                       |                           |                        |                           |                       |                           |
| ▽ <sup>C</sup> = 0   |   |                    |                    |  |                           |                            |       |                                 |  |  |   |                              |                     |                       |                           |                        |                           |                       |                           |
| ⊗ = 0  |   |                    |                    |  |                           |                            |       |                                 |  |  |   |                              |                     |                       |                           |                        |                           |                       |                           |
| ■ = 0  |   |                    |                    |  |                           |                            |       |                                 |  |  |   |                              |                     |                       |                           |                        |                           |                       |                           |
| ▽ <sup>U</sup> = 0   |   |                    |                    |  |                           |                            |       |                                 |  |  |   |                              |                     |                       |                           |                        |                           |                       |                           |
|  |   |                    |                    | DRAFT WHERE APPLICABLE<br>MUST REMAIN<br>WITHIN DIMENSIONS | DRAWING SIZE<br><b>A3</b> | THIRD ANGLE PROJECTION<br> |       |                                 |  |  |   |                              |                     |                       |                           |                        |                           |                       |                           |
|  |   |                    |                    | <b>2MM DUAL ROW<br/>VERTICAL RECEPTACLE T/H</b>            |                           |                            |       | <b>PRODUCT CUSTOMER DRAWING</b> |  |  |   |                              |                     |                       |                           |                        |                           |                       |                           |
|  |   | SERIES             | MATERIAL NUMBER    | CUSTOMER   |                           | DOCUMENT NUMBER            |       | DOC TYPE                        | DOC PART   | SHEET NUMBER                           |   |                              |                     |                       |                           |                        |                           |                       |                           |
|  |   | 79107              | SEE TABLE          | GENERAL MARKET   |                           | SDA-79107-++++             |       | PSD                             | 001  | 4 OF 4                                 |   |                              |                     |                       |                           |                        |                           |                       |                           |



**RECOMMENDED PCB LAYOUT**

- NOTES:**
- 1) HOUSING MATERIAL: GLASS FILLED HIGH TEMP THERMOPLASTIC, COLOR: BLACK, UL-94V-0
  - 2) TERMINAL MATERIAL: PHOSPHOR BRONZE
  - 3) SEE SHT 2 FOR CKT SIZE, PART NUMBERS AND OVERALL DIMENSIONS, SEE SHT 3 FOR VOIDS.
  - 4) FOR ILLUSTRATION, 6 CKT ASSY SHOWN.
  - 5) REFER TO PRODUCT SPEC PS-79107
  - 6) PACKAGING PER PK-70873-0180
  - 7) CKTS NUMBERED FROM LEFT TO RIGHT WHEN PART IS VIEWED FROM TOP WITH RECESS ON THE RIGHT AS SHOWN.
  - 8) SOLDER TAIL TO BE MEASURED BY PITCH GAUGE.



**PLATING OPTION:**

- 4) - 30µ"/0.76µm MIN GOLD PLATE IN SELECTED AREA  
75µ"/1.90µm MIN TIN PLATE IN SELECTED AREA  
BOTH OVER 50µ"/1.25µm MIN NICKEL OVERALL
- 5) - 15µ"/0.38µm MIN GOLD PLATE IN SELECTED AREA  
75µ"/1.90µm MIN TIN PLATE IN SELECTED AREA  
BOTH OVER 50µ"/1.25µm MIN NICKEL OVERALL
- 6) - 2µ"/0.05µm MIN GOLD PLATE IN SELECTED AREA  
40µ"/1.02µm MIN TIN PLATE IN SELECTED AREA  
BOTH OVER 40µ"/1.02µm MIN NICKEL OVERALL

|   |  |                                       |  |         |  |  |  |                 |  |   |  |
|---|--|---------------------------------------|--|---------|--|--|--|-----------------|--|---|--|
| THIS DRAWING CONTAINS INFORMATION THAT IS PROPRIETARY TO MOLEX ELECTRONIC TECHNOLOGIES, LLC AND SHOULD NOT BE USED WITHOUT WRITTEN PERMISSION |  |                                       |  |         |  |  |  |                 |  |   |  |
| SYMBOLS   |  | DIMENSION UNITS                       |  | SCALE   |  | CURRENT REV DESC:                                    |  |                 |  | <b>molex</b>                            |  |
| ▽ = 0   |  | mm                                    |  | NTS     |  | EC NO: 674390  |  |                 |  |   |  |
| ▽ = 0   |  | GENERAL TOLERANCES (UNLESS SPECIFIED) |  |         |  | DRWN: ABABUPS 2021/06/03                             |  |                 |  | 2MM DUAL ROW<br>VERTICAL RECEPTACLE T/H |  |
| ▽ = 1   |  | ANGULAR TOL ± 0.5°                    |  |         |  | CHK'D: MRAMAKRISHNA 2021/08/23                       |  |                 |  |   |  |
| ▽ = 0   |  | 4 PLACES ±                            |  |         |  | APPR: MRAMAKRISHNA 2021/08/23                        |  |                 |  | PRODUCT CUSTOMER DRAWING                |  |
| ▽ = 0   |  | 3 PLACES ±                            |  |         |  | INITIAL REVISION:                                    |  |                 |  |   |  |
| ▽ = 0   |  | 2 PLACES ± 0.25                       |  |         |  | DRWN: RFC_PLMIMP 2018/12/04                          |  |                 |  | DOCUMENT NUMBER                         |  |
| ▽ = 0   |  | 1 PLACE ±                             |  |         |  | APPR: KCLING 2001/08/22                              |  |                 |  | SDA-79107-XXXX                          |  |
| ▽ = 0   |  | 0 PLACES ±                            |  |         |  | DRAFT WHERE APPLICABLE MUST REMAIN WITHIN DIMENSIONS |  |                 |  | DOC TYPE   DOC PART   REVISION          |  |
| ▽ = 0   |  | THIRD ANGLE PROJECTION                |  | DRAWING |  | SERIES   |  | MATERIAL NUMBER |  | CUSTOMER                                |  |
| ▽ = 0   |  | B-SIZE                                |  | 79107   |  | SEE TABLE  |  | GENERAL MARKET  |  | SHEET NUMBER                            |  |
| ▽ = 0   |  | 1                                     |  | 1       |  | 1  |  | 1               |  | 1                                       |  |

# PARTS PACKED IN TUBE

| CKT SIZE | DIM 'A' | DIM 'B' | P.C.TAIL DIMENSION 'C' = 3.00 |            |                  |            |                  |            | P.C.TAIL DIMENSION 'C' = 1.91 |            |                  |            |                  |            |
|----------|---------|---------|-------------------------------|------------|------------------|------------|------------------|------------|-------------------------------|------------|------------------|------------|------------------|------------|
|          |         |         | PLATING OPTION 5              |            | PLATING OPTION 4 |            | PLATING OPTION 6 |            | PLATING OPTION 5              |            | PLATING OPTION 4 |            | PLATING OPTION 6 |            |
|          |         |         | ITEM NO.                      |            | ITEM NO.         |            | ITEM NO.         |            | ITEM NO.                      |            | ITEM NO.         |            | ITEM NO.         |            |
| 04       | (4.19)  | (2.00)  |                               | 79107-7001 |                  | 79107-7051 | X                | 79107-7126 |                               | 79107-7201 |                  | 79107-7251 | X                | 79107-7326 |
| 06       | (6.19)  | (4.00)  |                               | 79107-7002 |                  | 79107-7052 | X                | 79107-7127 |                               | 79107-7202 |                  | 79107-7252 | X                | 79107-7327 |
| 08       | (8.19)  | (6.00)  |                               | 79107-7003 |                  | 79107-7053 | X                | 79107-7128 |                               | 79107-7203 |                  | 79107-7253 | X                | 79107-7328 |
| 10       | (10.19) | (8.00)  |                               | 79107-7004 |                  | 79107-7054 | X                | 79107-7129 |                               | 79107-7204 |                  | 79107-7254 | X                | 79107-7329 |
| 12       | (12.19) | (10.00) |                               | 79107-7005 |                  | 79107-7055 |                  | 79107-7130 |                               | 79107-7205 |                  | 79107-7255 |                  | 79107-7330 |
| 14       | (14.19) | (12.00) |                               | 79107-7006 |                  | 79107-7056 | X                | 79107-7131 |                               | 79107-7206 |                  | 79107-7256 | X                | 79107-7331 |
| 16       | (16.19) | (14.00) |                               | 79107-7007 |                  | 79107-7057 | X                | 79107-7132 |                               | 79107-7207 |                  | 79107-7257 | X                | 79107-7332 |
| 18       | (18.19) | (16.00) |                               | 79107-7008 |                  | 79107-7058 | X                | 79107-7133 |                               | 79107-7208 |                  | 79107-7258 | X                | 79107-7333 |
| 20       | (20.19) | (18.00) |                               | 79107-7009 |                  | 79107-7059 | X                | 79107-7134 |                               | 79107-7209 |                  | 79107-7259 | X                | 79107-7334 |
| 22       | (22.19) | (20.00) |                               | 79107-7010 |                  | 79107-7060 | X                | 79107-7135 |                               | 79107-7210 |                  | 79107-7260 | X                | 79107-7335 |
| 24       | (24.19) | (22.00) |                               | 79107-7011 |                  | 79107-7061 | X                | 79107-7136 |                               | 79107-7211 |                  | 79107-7261 | X                | 79107-7336 |
| 26       | (26.19) | (24.00) |                               | 79107-7012 |                  | 79107-7062 | X                | 79107-7137 |                               | 79107-7212 |                  | 79107-7262 | X                | 79107-7337 |
| 28       | (28.19) | (26.00) |                               | 79107-7013 |                  | 79107-7063 | X                | 79107-7138 |                               | 79107-7213 |                  | 79107-7263 | X                | 79107-7338 |
| 30       | (30.19) | (28.00) |                               | 79107-7014 |                  | 79107-7064 | X                | 79107-7139 |                               | 79107-7214 |                  | 79107-7264 | X                | 79107-7339 |
| 32       | (32.19) | (30.00) |                               | 79107-7015 |                  | 79107-7065 | X                | 79107-7140 |                               | 79107-7215 |                  | 79107-7265 | X                | 79107-7340 |
| 34       | (34.19) | (32.00) |                               | 79107-7016 |                  | 79107-7066 | X                | 79107-7141 |                               | 79107-7216 |                  | 79107-7266 | X                | 79107-7341 |
| 36       | (36.19) | (34.00) |                               | 79107-7017 |                  | 79107-7067 | X                | 79107-7142 |                               | 79107-7217 |                  | 79107-7267 | X                | 79107-7342 |
| 38       | (38.19) | (36.00) |                               | 79107-7018 |                  | 79107-7068 | X                | 79107-7143 |                               | 79107-7218 |                  | 79107-7268 | X                | 79107-7343 |
| 40       | (40.19) | (38.00) |                               | 79107-7019 |                  | 79107-7069 | X                | 79107-7144 |                               | 79107-7219 |                  | 79107-7269 | X                | 79107-7344 |
| 42       | (42.19) | (40.00) |                               | 79107-7020 |                  | 79107-7070 | X                | 79107-7145 |                               | 79107-7220 |                  | 79107-7270 | X                | 79107-7345 |
| 44       | (44.19) | (42.00) |                               | 79107-7021 |                  | 79107-7071 | X                | 79107-7146 |                               | 79107-7221 |                  | 79107-7271 | X                | 79107-7346 |
| 46       | (46.19) | (44.00) |                               | 79107-7022 |                  | 79107-7072 | X                | 79107-7147 |                               | 79107-7222 |                  | 79107-7272 | X                | 79107-7347 |
| 48       | (48.19) | (46.00) |                               | 79107-7023 |                  | 79107-7073 | X                | 79107-7148 |                               | 79107-7223 |                  | 79107-7273 | X                | 79107-7348 |
| 50       | (50.19) | (48.00) |                               | 79107-7024 |                  | 79107-7074 | X                | 79107-7149 |                               | 79107-7224 |                  | 79107-7274 | X                | 79107-7349 |

"X" - DENOTES THE ITEM IS NOT AVAILABLE CURRENTLY.

|  |   |   |   |  |  |
|--|---|---|---|--|--|
| <b>SYMBOLS</b><br>▽ = 0<br>▽ = 0<br>▽ = 0<br>▽ = 0<br>▽ = 0<br>▽ = 0<br>▽ = 0<br>▽ = 0<br>▽ = 0<br>▽ = 0<br>▽ = 0<br>▽ = 0 | THIS DRAWING CONTAINS INFORMATION THAT IS PROPRIETARY TO MOLEX ELECTRONIC TECHNOLOGIES, LLC AND SHOULD NOT BE USED WITHOUT WRITTEN PERMISSION | DIMENSION UNITS: <b>mm</b><br>SCALE: <b>NTS</b>                             | CURRENT REV DESC:<br>EC NO: 674390<br>DRWN: ABABUPS 2021/06/03<br>CHK'D: MRAMAKRISHNA 2021/08/23<br>APPR: MRAMAKRISHNA 2021/08/23 | <b>molex</b>   | 2MM DUAL ROW<br>VERTICAL RECEPTACLE T/H  |
|  | GENERAL TOLERANCES (UNLESS SPECIFIED)<br>ANGULAR TOL ± 0.5°<br>4 PLACES ±<br>3 PLACES ±<br>2 PLACES ± 0.25<br>1 PLACE ±<br>0 PLACES ±         | INITIAL REVISION:<br>DRWN: RFC_PLMIMP 2018/12/04<br>APPR: KCLING 2001/08/22 | PRODUCT CUSTOMER DRAWING  |  | DOCUMENT NUMBER: <b>SDA-79107-XXXX</b><br>DOC TYPE: PSD<br>DOC PART: 001<br>REVISION: H5 |
|  | DRAFT WHERE APPLICABLE MUST REMAIN WITHIN DIMENSIONS  | THIRD ANGLE PROJECTION<br>  | DRAWING: <b>B-SIZE</b><br>SERIES: <b>79107</b>  | MATERIAL NUMBER: SEE TABLE<br>CUSTOMER: GENERAL MARKET<br>SHEET NUMBER: 2 OF 4 |  |
|  |   |   |   |  |  |

**PARTS PACKED IN TUBE**

**MOLDED VOID OPTION**  
**ASSEMBLIES WITHOUT PEGS**

| CKT. SIZE | ASSEMBLY<br>ITEM NO. | VOID LOCATION(S)<br>SEE SHEET 1 FOR CONVENTION |           | PLATING<br>OPTION | DIM. "A" | DIM. "B" | P.C. TAIL<br>DIM. "C" |
|-----------|----------------------|--|-----------|-------------------|----------|----------|-----------------------|
|           |                      | ROW  | CKT.NO(s) |                   |          |          |                       |
| 24        | 79107-5101           | ROW B  | 6         | 5                 | (24.19)  | (22.00)  | (3.00)                |
| 10        | 79107-5102           | ROW A  | 5         | 5                 | (10.19)  | (8.00)   | (3.00)                |
| 26        | 79107-5103           | ROW B  | 5         | 5                 | (26.19)  | (24.00)  | (3.00)                |
| 20        | 79107-5104           | ROW A  | 7         | 5                 | (20.19)  | (18.00)  | (1.91)                |
| 24        | 79107-5105           | ROW B  | 10        | 5                 | (24.19)  | (22.00)  | (1.91)                |
| 20        | 79107-5106           | ROW A  | 7         | 5                 | (20.19)  | (18.00)  | (3.00)                |
| 24        | 79107-5107           | ROW B  | 10        | 5                 | (24.19)  | (22.00)  | (3.00)                |

"X" - DENOTES THE ITEM IS NOT AVAILABLE CURRENTLY.

NOTES:

1. TERMINALS WILL BE PRESENT IN VOIDED LOCATIONS HOWEVER, PIN WINDOWS WILL BE CLOSED.
2. VOIDS CANNOT BE PRESENT IN BOTH ROWS ON A CONNECTOR.

|         |   |  |                                       |                   |  |                 |  |                |  |                        |  |  |
|---------|---|--|---------------------------------------|-------------------|--|-----------------|--|----------------|--|------------------------|--|--|
| SYMBOLS | THIS DRAWING CONTAINS INFORMATION THAT IS PROPRIETARY TO MOLEX ELECTRONIC TECHNOLOGIES, LLC AND SHOULD NOT BE USED WITHOUT WRITTEN PERMISSION |  |                                       |                   |  |                 |  |                |  |                        |  |  |
|         | DIMENSION UNITS   |  | SCALE                                 |                   | CURRENT REV DESC:  |                 |  |                |  |                        | <b>molex</b>                             |  |
|         | mm  |  | NTS                                   |                   |  |                 |  |                |  |                        |  |  |
|         | ▽ = 0   |  | GENERAL TOLERANCES (UNLESS SPECIFIED) |                   | EC NO: 674390<br>DRWN: ABABUPS 2021/06/03<br>CHK'D: MRAMAKRISHNA 2021/08/23<br>APPR: MRAMAKRISHNA 2021/08/23 |                 |  |                |  |                        | PRODUCT CUSTOMER DRAWING                 |  |
|         | ▽ = 0   |  | ANGULAR TOL ± 0.5°                    |                   |  |                 |  |                |  |                        |  |  |
|         | ▽ = 0   |  | 4 PLACES ±                            |                   | INITIAL REVISION:<br>DRWN: RFC_PLMIMP 2018/12/04<br>APPR: KCLING 2001/08/22                                  |                 |  |                |  |                        | DOCUMENT NUMBER<br><b>SDA-79107-XXXX</b> |  |
|         | ▽ = 0   |  | 3 PLACES ±                            |                   |  |                 |  |                |  |                        |  |  |
|         | ▽ = 0   |  | 2 PLACES ± 0.25                       |                   | MATERIAL NUMBER<br>SEE TABLE   |                 |  |                |  |                        | DOC TYPE<br>PSD                          |  |
|         | ▽ = 0   |  | 1 PLACE ±                             |                   |  |                 |  |                |  |                        |  |  |
|         | ▽ = 0   |  | 0 PLACES ±                            |                   | CUSTOMER<br>GENERAL MARKET   |                 |  |                |  |                        | DOC PART<br>001                          |  |
| ▽ = 0   |   | DRAFT WHERE APPLICABLE MUST REMAIN WITHIN DIMENSIONS |                                       |                   |  |                 |  |                |  |                        |  |  |
| ▽ = 0   |   | THIRD ANGLE PROJECTION                               |                                       | DRAWING<br>B-SIZE |  | SERIES<br>79107 |  | REVISION<br>H5 |  | SHEET NUMBER<br>3 OF 4 |  |  |

# PARTS PACKED IN TAPE AND REEL

| CKT SIZE | DIM 'A' | DIM 'B' | P.C.TAIL DIMENSION 'C' = 3.00 |                  |                  | P.C.TAIL DIMENSION 'C' = 1.91 |                  |                  |  |
|----------|---------|---------|-------------------------------|------------------|------------------|-------------------------------|------------------|------------------|--|
|          |         |         | PLATING OPTION 5              | PLATING OPTION 4 | PLATING OPTION 6 | PLATING OPTION 5              | PLATING OPTION 4 | PLATING OPTION 6 |  |
|          |         |         | ITEM NO.                      | ITEM NO.         | ITEM NO.         | ITEM NO.                      | ITEM NO.         | ITEM NO.         |  |
| 04       | (4.19)  | (2.00)  | -                             | -                | -                | -                             | -                | -                |  |
| 06       | (6.19)  | (4.00)  | -                             | -                | -                | -                             | -                | -                |  |
| 08       | (8.19)  | (6.00)  | -                             | -                | -                | -                             | -                | -                |  |
| 10       | (10.19) | (8.00)  | -                             | -                | -                | -                             | -                | -                |  |
| 12       | (12.19) | (10.00) | -                             | -                | -                | -                             | -                | -                |  |
| 14       | (14.19) | (12.00) | -                             | -                | -                | -                             | -                | -                |  |
| 16       | (16.19) | (14.00) | -                             | -                | -                | -                             | -                | -                |  |
| 18       | (18.19) | (16.00) | -                             | -                | -                | -                             | -                | -                |  |
| 20       | (20.19) | (18.00) | -                             | -                | -                | *                             | 79107-8209 (H5)  | -                |  |
| 22       | (22.19) | (20.00) | -                             | -                | -                | -                             | -                | -                |  |
| 24       | (24.19) | (22.00) | -                             | -                | -                | -                             | -                | -                |  |
| 26       | (26.19) | (24.00) | -                             | -                | -                | -                             | -                | -                |  |
| 28       | (28.19) | (26.00) | -                             | -                | -                | -                             | -                | -                |  |
| 30       | (30.19) | (28.00) | -                             | -                | -                | -                             | -                | -                |  |
| 32       | (32.19) | (30.00) | -                             | -                | -                | -                             | -                | -                |  |
| 34       | (34.19) | (32.00) | -                             | -                | -                | -                             | -                | -                |  |
| 36       | (36.19) | (34.00) | -                             | -                | -                | -                             | -                | -                |  |
| 38       | (38.19) | (36.00) | -                             | -                | -                | -                             | -                | -                |  |
| 40       | (40.19) | (38.00) | -                             | -                | -                | -                             | -                | -                |  |
| 42       | (42.19) | (40.00) | -                             | -                | -                | -                             | -                | -                |  |
| 44       | (44.19) | (42.00) | -                             | -                | -                | -                             | -                | -                |  |
| 46       | (46.19) | (44.00) | -                             | -                | -                | -                             | -                | -                |  |
| 48       | (48.19) | (46.00) | -                             | -                | -                | -                             | -                | -                |  |
| 50       | (50.19) | (48.00) | -                             | -                | -                | -                             | -                | -                |  |
|          |         |         | *** - PACKAGING IS NOT TOOLED |                  |                  |                               |                  |                  |  |

|   |                                       |       |   |         |        |  |  |  |  |
|---|---------------------------------------|-------|---|---------|--------|--|--|--|--|
| THIS DRAWING CONTAINS INFORMATION THAT IS PROPRIETARY TO MOLEX ELECTRONIC TECHNOLOGIES, LLC AND SHOULD NOT BE USED WITHOUT WRITTEN PERMISSION |                                       |       |   |         |        |  |  |  |  |
| FUNCTIONAL SYMBOLS  | DIMENSION UNITS                       | SCALE | CURRENT REV DESC:   |         |        |  |  |  |  |
| $\nabla_A = 0$  | mm                                    | NTS   | EC NO: 674390<br>DRWN: ABABUPS 2021/06/03<br>CHK'D: MRAMAKRISHNA 2021/08/23<br>APPR: MRAMAKRISHNA 2021/08/23<br>INITIAL REVISION:<br>DRWN: RFC_PLMIMP 2018/12/04<br>APPR: KCLING 2001/08/22 |         |        |  |  |  |  |
| $\nabla_E = 0$  | GENERAL TOLERANCES (UNLESS SPECIFIED) |       |   |         |        |  |  |  |  |
| $\nabla_P = 0$  | ANGULAR TOL $\pm 0.5^\circ$           |       |   |         |        |  |  |  |  |
| DIVISIONAL SYMBOLS  | 4 PLACES $\pm$                        |       |   |         |        |  |  |  |  |
|   | 3 PLACES $\pm$                        |       | DOCUMENT NUMBER: SDA-79107-XXXX<br>DOC TYPE: PSD<br>DOC PART: 001<br>REVISION: H5   |         |        |  |  |  |  |
|   | 2 PLACES $\pm 0.25$                   |       | MATERIAL NUMBER: 79107<br>CUSTOMER: GENERAL MARKET<br>SHEET NUMBER: 4 OF 4  |         |        |  |  |  |  |
|   | 1 PLACE $\pm$                         |       |   |         |        |  |  |  |  |
|   | 0 PLACES $\pm$                        |       |   |         |        |  |  |  |  |
| DRAFT WHERE APPLICABLE MUST REMAIN WITHIN DIMENSIONS  |                                       |       | THIRD ANGLE PROJECTION  | DRAWING | SERIES |  |  |  |  |
|   |                                       |       |   | A3-SIZE | 79107  |  |  |  |  |