

SIGN	DATE	DESCRIPTION	APPROVER
△	6/24'06	Torque standard is changed from 3.5Lb-In to 1.7Lb-In	Marvin
△	11/08'08	Body 加厚設計變更	Jacke

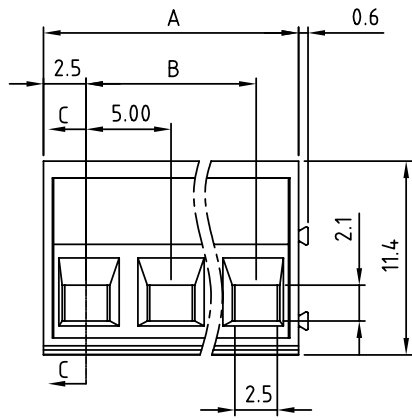
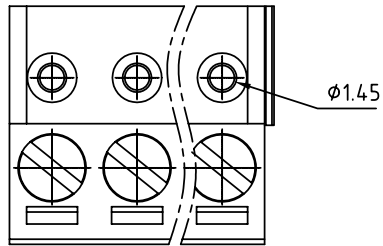
*THIS IS CAD DRAWING, DO NOT REVISE MANUALLY!!!*

**Material**

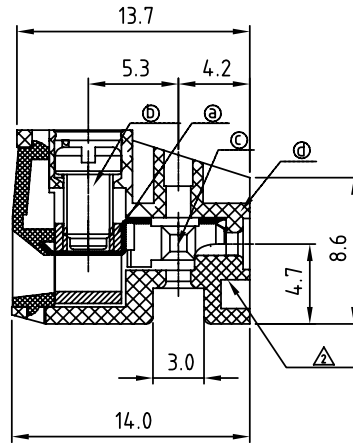
- Item a Clamp: Brass(CuZn) Ni plated
- Item b Terminal screw: Steel Zinc plating "-" slot type
- Item c Female contact: PhBz, Tin or Au plated.
- Item d Terminal(housing): Thermoplastic (UL94V-0)

**Electrical**

- Voltage rating: 300VAC
- Current rating: 10A
- Wire range:
- Solid wire(AWG): 16-22
- Stranded wire(AWG): 16-22
- △ Torque(Lb-In): 1.7
- Screw: M3
- Wire strip length: 5-6mm
- Withstanding Voltage: 1.6KV
- Operating temperature: -40°C to +115°C
- Safety approval: us



N=Number of contacts



Section C-C

TT xx 01 x 0 xxxx G

02	2 CONTACTS	0	Black (RAL9005)	0000	Standard @ Logo	RoHS
03	3 CONTACTS	2	Red (RAL3001/D)	000A	Standard ANY Logo	Pb<40,000ppm
...	...	3	Orange(RAL2011/P)	Any special item by customer request,		
24	24 CONTACTS	4	Yellow(RAL1018/A)	please contact sales department.		
		5	Green(RAL6018/T)			
		6	Blue (RAL5015/A)			
		8	Grey(RAL7035/D)			

N = Number of poles  
 Dim A=Nx5.0  
 Dim B=(N-1)x5.0

	Dim A	Dim B
2-6p	±0.15	±0.10
7-12p	±0.25	±0.15
13-18p	±0.30	±0.20
19-24p	±0.40	±0.30

**ANYTEK**

**CUSTOMER COPY**

ALL RIGHTS RESERVED. REPRODUCTION OR ISSUE TO THIRD PARTIES IN ANY FORM WHATSOEVER IS NOT PERMITTED WITHOUT WRITTEN AUTHORITY FROM THE PROPRIETOR. PROPERTY OF ANYTEK TECHNOLOGY CO., LTD

TITLE		TT - 5.0mm Series Stackable type				
PART NO.		TTxx01x0xxxxG		DWG NO.	8TT0001	
APPROVED	CHECKED	DESIGNED	DRAWN	CUST NO.		
	Marvin 2006.08.30	Marvin 2006.08.30	Marvin 2006.10.04			
					Tolerance	
					X.	±0.50
				UNIT: mm	X.X	±0.30
				SCALE: NONE	X.XX	±0.10
				SHEET: 01/01	X°	±1°
				REV.: E		