



AUDIO
TECHNOLOGIES®

B1000 SERIES BALANCED CABLE

OVERVIEW

The B1000 Series balanced cable is made using two stranded, 26 AWG, oxygen-free bare copper conductors in a tight-pitch twisted pair configuration. The improved conductivity of bare copper conductors ensures that your signal will be strongest when it reaches the destination. The use of XLPE insulation helps reduce the capacitance significantly and extends the useful life of the cable. The B1000 also features two shields, one braided tinned copper shield and one aluminum foil shield to provide premium EMI and noise rejection. To top it all off, the cable features a sturdy PVC jacket designed to take the abuse of any environment.

Applications:

- Custom Shop Patch Cable
- Custom Lengths for Any Size Patch Bay
- Balanced Audio
- Low Voltage Signal

NOTE: Not rated for in-wall use



Product specifications may change without prior notification

Io Audio Technologies® is a registered trademark of Knight Electronics, Inc.
10557 Metric Dr. Dallas, TX 75243 | 214-340-0265 | 800-323-2439 | Fax: 214-340-5870 |
www.ioaudiotechnologies.com



SPECIFICATIONS

Product

Part Number: **IO-A12626-500SP**

Number of Conductors: **2 plus shields**

Conductors

Details: **25/0.08mm Bare OFC**

Size: **26 AWG**

Electrical and Mechanical Characteristics

Conductor DC Resistance: **$0.152 \pm 1\% \Omega/m$**

Shield DC Resistance: **$0.035 \pm 1\% \Omega/m$**

Capacitance Between Conductors: **$\leq 14.4 \text{ pF/ft}$**

Capacitance Between Conductors and Shield: **$\leq 27.1 \text{ pF/ft}$**

Voltage Breakdown: **500 V**

Flex Life: **$\geq 17,700$**

Tensile Strength: **$\geq 199 \text{ N}$**

Applicable Temperature: **$-20^\circ\text{C} \sim +60^\circ\text{C}$ ($-4^\circ\text{F} \sim +140^\circ\text{F}$)**

Peak Temperature: **$-40^\circ\text{C} \sim +70^\circ\text{C}$ ($-40^\circ\text{F} \sim +158^\circ\text{F}$)**

Insulation

Material: **XLPE**

Colors: **Blue and White**

Shield

Details: **Braided TC & Aluminum Foil**

Construction: **16*5/0.10 OFC**

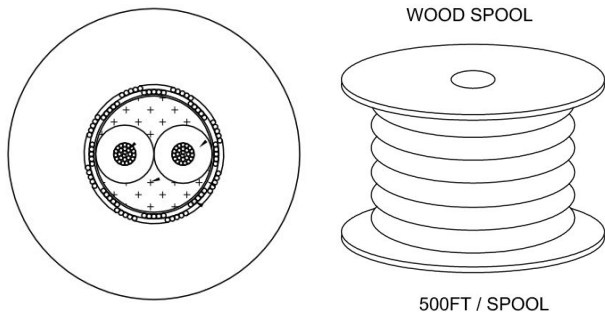
Jacket

O.D.: **6.0mm**

Material: **PVC**

Color: **Black**

CONFIGURATION



STANDARDS & CLASSIFICATIONS



Product specifications may change without prior notification