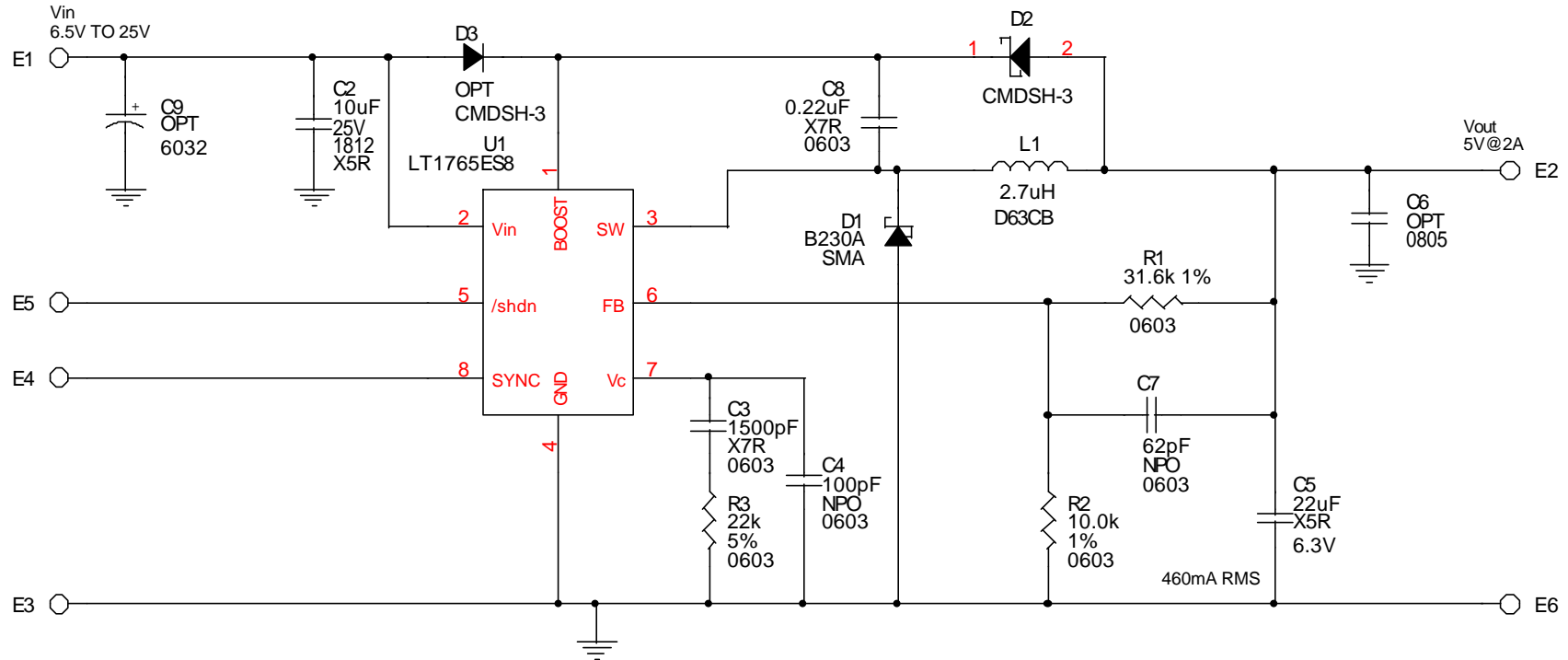
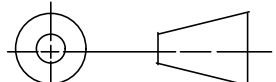



REVISION HISTORY

ECO	REV	DESCRIPTION	DATE	APPROVED
0	A	PRODUCTION RELEASE	06-04-01	>



UNLESS OTHERWISE SPECIFIED DIMENSIONS ARE IN INCHES TOLERANCE ON ANGLE --- 2 PLACES --- 3 PLACES --- INTERPRET DIM AND TOL PER ASME Y14.5M -1994 THIRD ANGLE PROJECTION 	CONTRACT NO.		 LINEAR TECHNOLOGY 1630 McCarthy Blvd Milpitas, CA 95035 Phone: (408)432-1900 Fax: (408)434-0507		
	APPROVALS	DATE			
	DRAWN MEI	08-16-01	TITLE		
	CHECKED		SCH,LT1765ES8 WIDE INPUT RANGE STEP-DOWN CONVERTER		
APPROVED		SIZE	CAGE CODE	DWG NO	REV
ENGINEER KDS	08-17-01	A	<Cage Code>	DC436A	A
DESIGNER		SCALE: NONE		FILENAME: 436A-3.PCB	SHEET 1 OF 1
DO NOT SCALE DRAWING	Wednesday, September 19				