

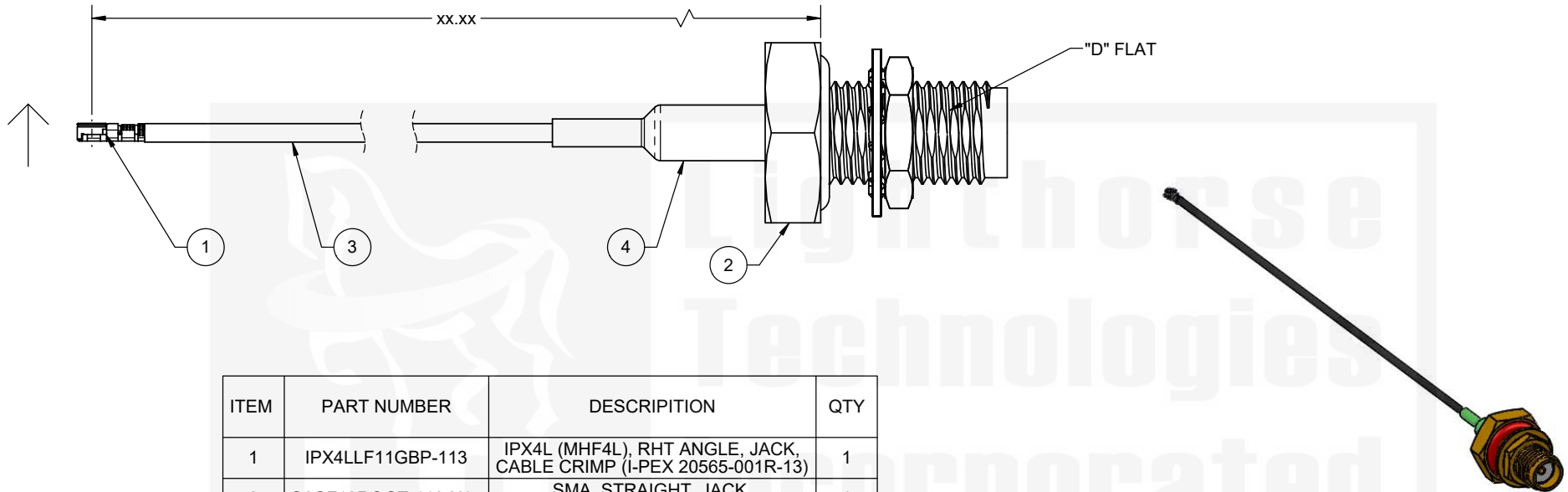
-XX IN THE ENDING OF THE CABLE PART NUMBER IS CALLING OUT THE LENGTH OF THE ASSEMBLY FROM CENTER TO MATING FLANGE OF CONNECTORS. EXAMPLES SHOWN BELOW:

EXAMPLE:

LTI P/N: CB1.13-IPX4L-SAF30GTX15-10IN (10 INCHES)

CB1.13-IPX4L-SAF30GTX15-4IN (4 INCHES)


REVISIONS				
REV	ECR	DESCRIPTION	DRAWN	DATE
1		PRODUCTION RELEASE	M. LARSEN	01/18/2022



ITEM	PART NUMBER	DESCRIPTION	QTY
1	IPX4LLF11GBP-113	IPX4L (MHF4L), RHT ANGLE, JACK, CABLE CRIMP (I-PEX 20565-001R-13)	1
2	SASF13ROGT-113-X15	SMA, STRAIGHT, JACK, BLKHD MNT, O-RING, IP-67, CRIMP	1
3	1.13 MICRO COAX	CABLE, 1.13 MICRO COAX, BLACK	AR
4	1635F-1/8"	.125 (1/8) DIA, .75 LENGTH, GREEN	1

SCALE: NONE

IPX® AND MHF® ARE REGISTERED TRADEMARKS OF I-PEX CO., LTD. CORPORATION

DO NOT SCALE DRAWING		 Lighthouse Technologies San Diego, CA WWW.RFCONNECTOR.COM
TOLERANCES UNLESS OTHERWISE SPECIFIED		
DIMENSIONS ARE IN MILLIMETERS		TITLE: CABLE ASSEMBLY, IPX4L (MHF4L), R/A JACK, CRIMP TO SMA, JACK, BLKHD, O-RING, IP-67, CRIMP
X = ±0.5 X.X = ±0.25 X.XX = ±0.13 ANGLE = ±30°		
THIRD ANGLE PROJECTION		SIZE PART/DWG. NO: B CB1.13-IPX4L-SAF30GTX15-xxIN
CUSTOMER APPROVAL		
SIGN / DATE:		REV A
ENG APPR. P. BURDGE	01/25/2022	SCALE: 4:1 FILE NAME SHEET 1 OF 1
CHECKED M. HELD	01/25/2022	
DRAWN M. LARSEN	01/18/2022	
NAME	DATE	

PROPRIETARY AND CONFIDENTIAL

UNLESS OTHERWISE SPECIFIED: THIS DOCUMENT CONTAINS LIGHTHORSE TECHNOLOGIES INFORMATION. REPRODUCTION, USE, DISCLOSURE OR TRANSMITTAL OF ALL OR ANY PART OF THIS DOCUMENT IS PROHIBITED EXCEPT TO THE EXTENT APPROVED IN WRITING BY AN AUTHORIZED REPRESENTATIVE OF LIGHTHORSE TECHNOLOGIES. LIGHTHORSE TECHNOLOGIES RESERVES ALL RIGHTS UNDER PATENTS, TRADEMARKS, COPYRIGHTS AND TRADE SECRETS. COPY RIGHTS OF LIGHTHORSE TECHNOLOGIES 2011, ALL RIGHTS RESERVED.

