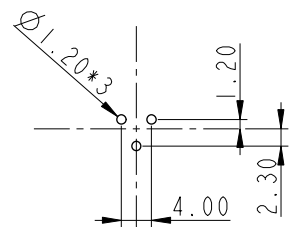
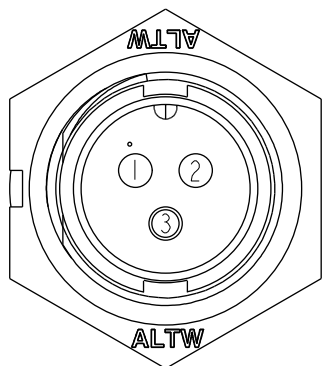
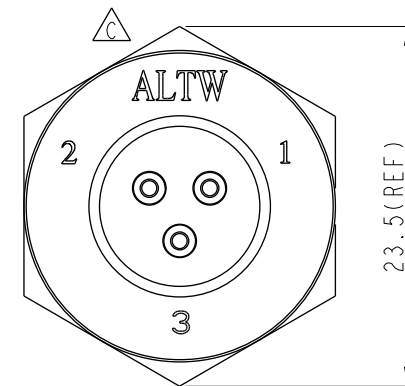
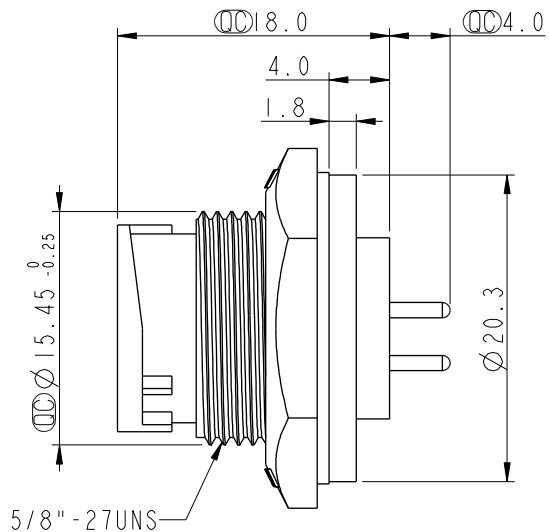
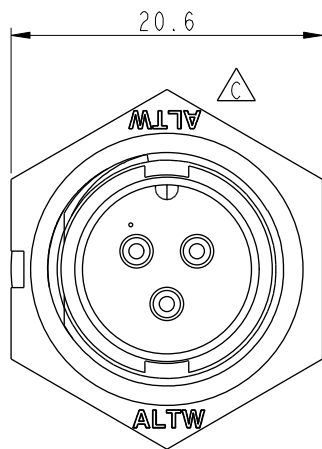


ALTW
 CONFIDENTIAL
 2019-02-22
 R&D DEPT.

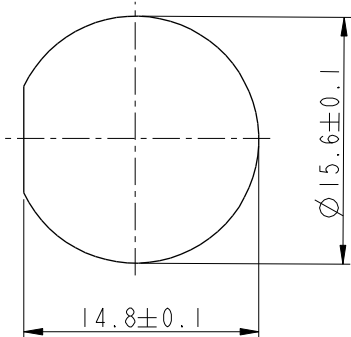
REV.	ECN NO.	DATE	SIGN	DESCRIPTION
B	LEN-8B0369	2008/09/17	Shin	Add Note
C	LEN1530201	2014/12/19	Ruru	Change Logo
D	CI90274	2019/02/22	Ruru	Modify Note



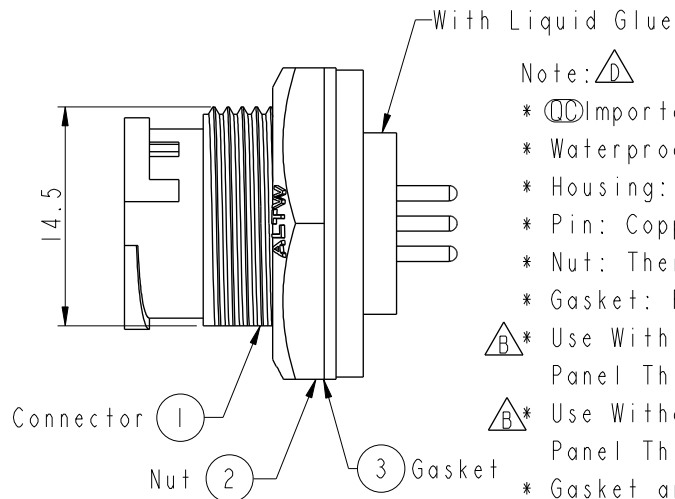
3Pin Male Connector
 Male Pin PCB Layout



Pin Assignments
 Front View



Recommended Panel Cut-out



Note: \triangle

- * CC Important Dimension To Check.
- * Waterproof Rate: IP67, Unmated
- * Housing: Thermoplastic, Black
- * Pin: Copper Alloy, Gold Plated
- * Nut: Thermoplastic, Black
- * Gasket: Rubber, Black

\triangle * Use With Waterproof Cap Or Dust Cap
 Panel Thickness Max: 3.0mm

\triangle * Use Without Waterproof Cap Or Dust Cap
 Panel Thickness Max: 4.5mm

* Gasket and Nut are packed separately
 in PE bags.

UNIT:mm	
TOLERANCE	
.X	±0.25
.XX	±0.1
.XXX	±0.05
ANGLES	±1°

TITLE Standard Panel Lock 3Pin M Conn M Pin			
SCALE 2:1	SIZE A4	SHEET 1 OF 1	
REV. D	WC-REV. A.3	CC : Inspection item	

Amphenol LTW
 安費諾亮泰企業股份有限公司

ITEM NO. BD-03PMMP-LC7001	DRAWN BY Ruru	DATE 2019-02-22
DWG NO. BD-03PMMP-LC7001	CHECKED BY Rita	DATE 2019-02-22
CUSTOMER ALTW	APPROVED BY Max	DATE 2019-02-22

THIS DOCUMENT IS SUBJECT TO CHANGE WITHOUT NOTICE. IT IS CONFIDENTIAL AND A PROPERTY OF Amphenol LTW. DISCLOSURE TO THIRD PARTY HAS TO BE AUTHORIZED BY Amphenol LTW.