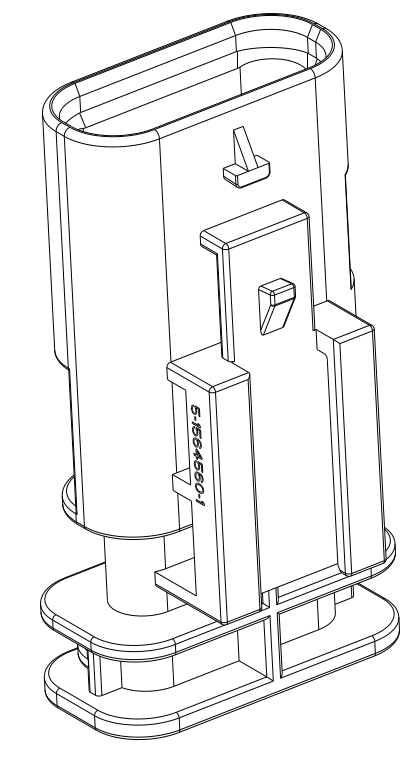
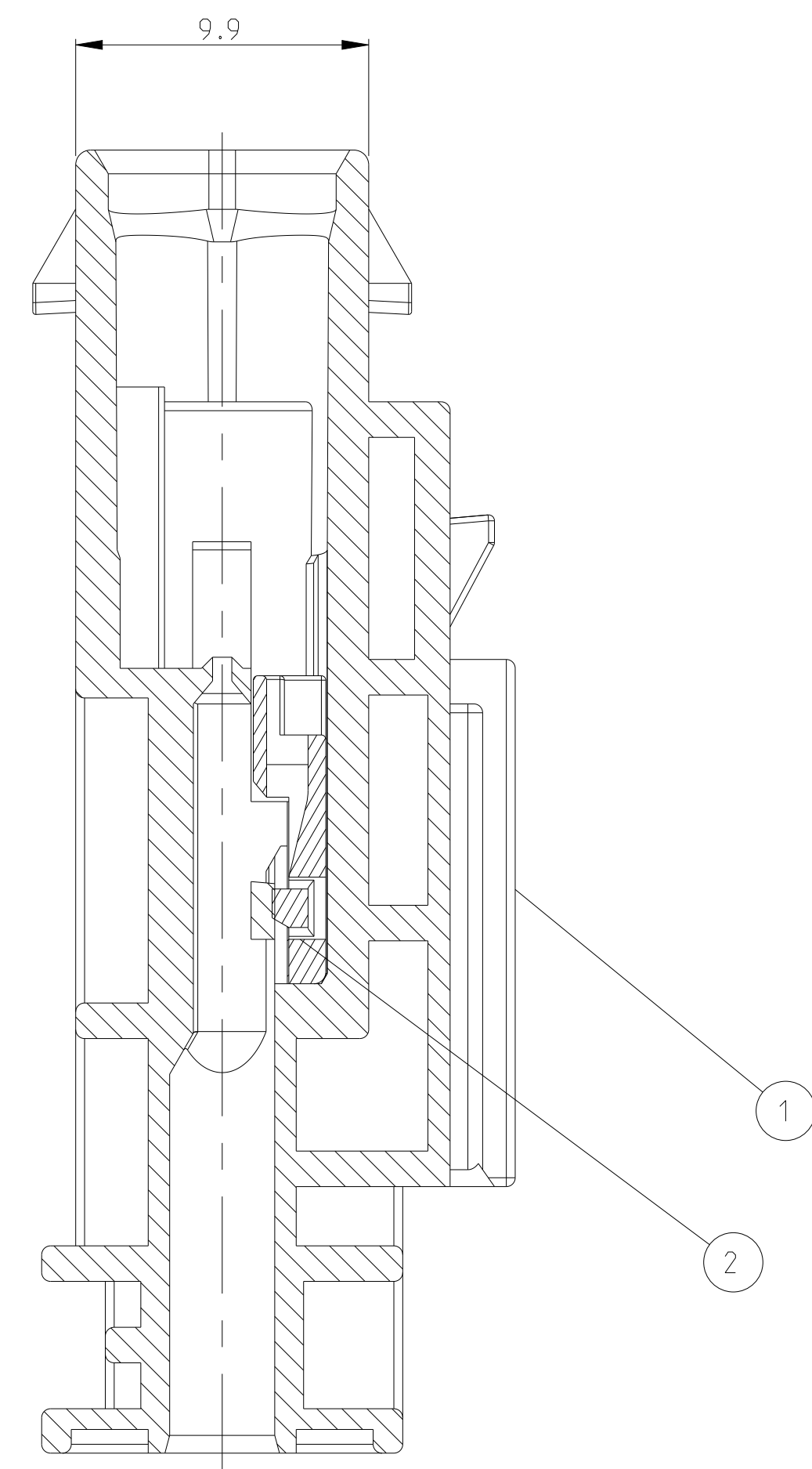
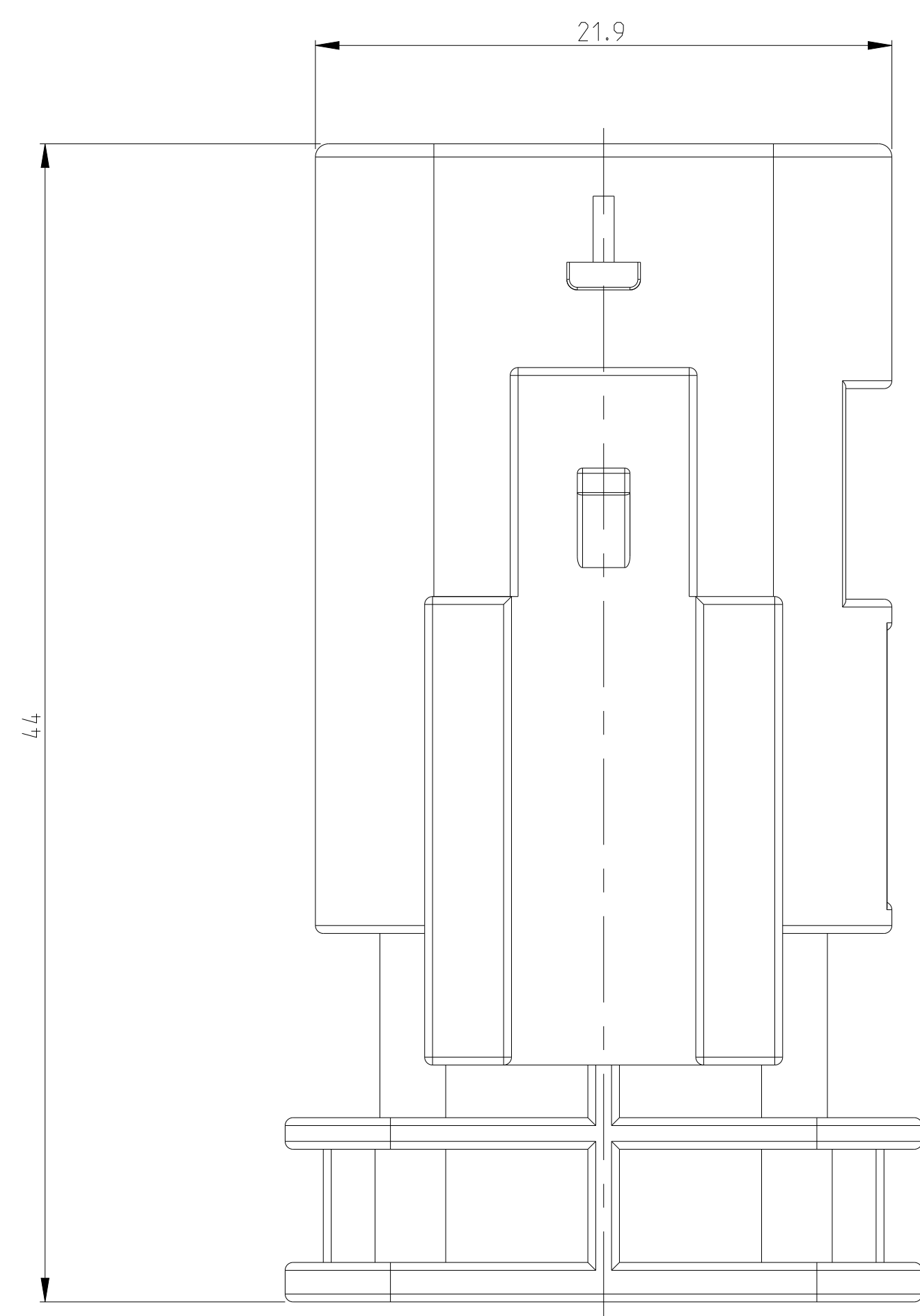
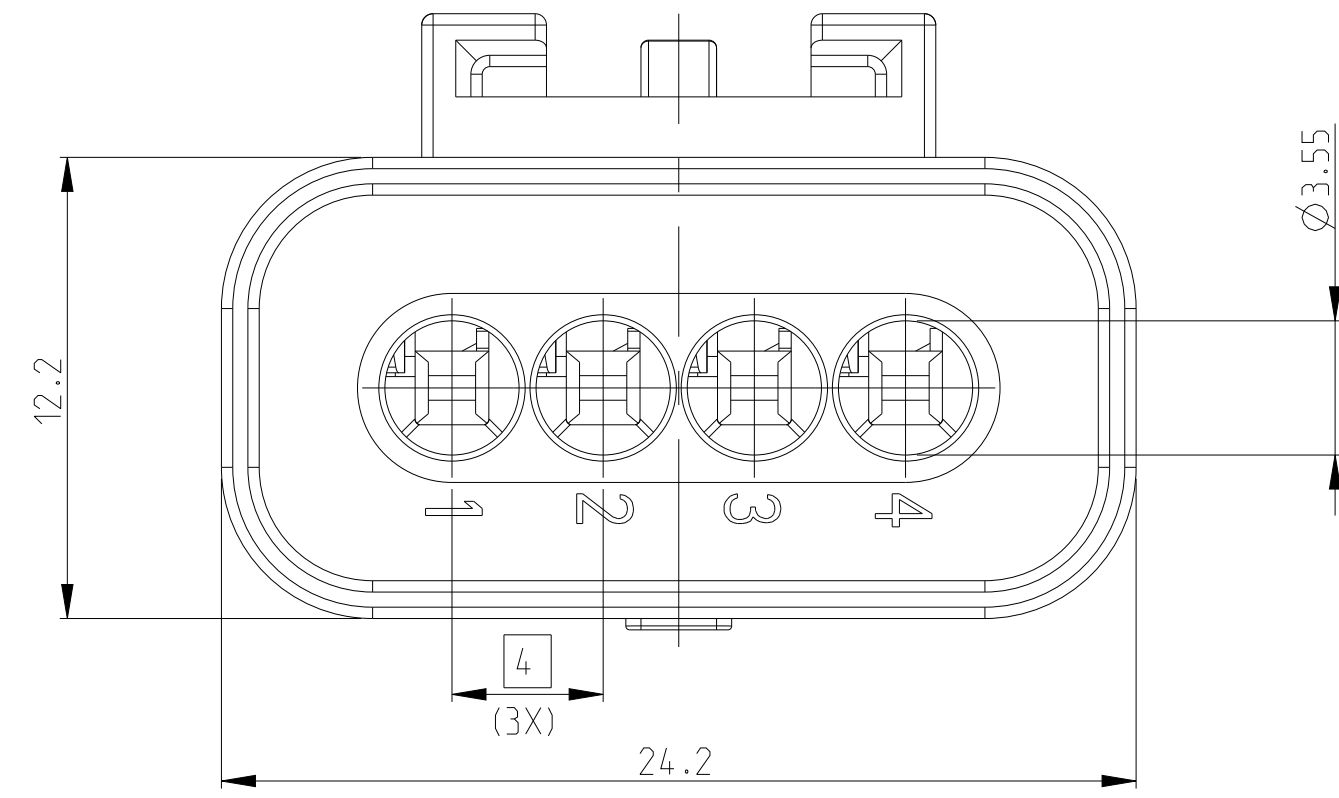


SHOWN 1-1564559-1

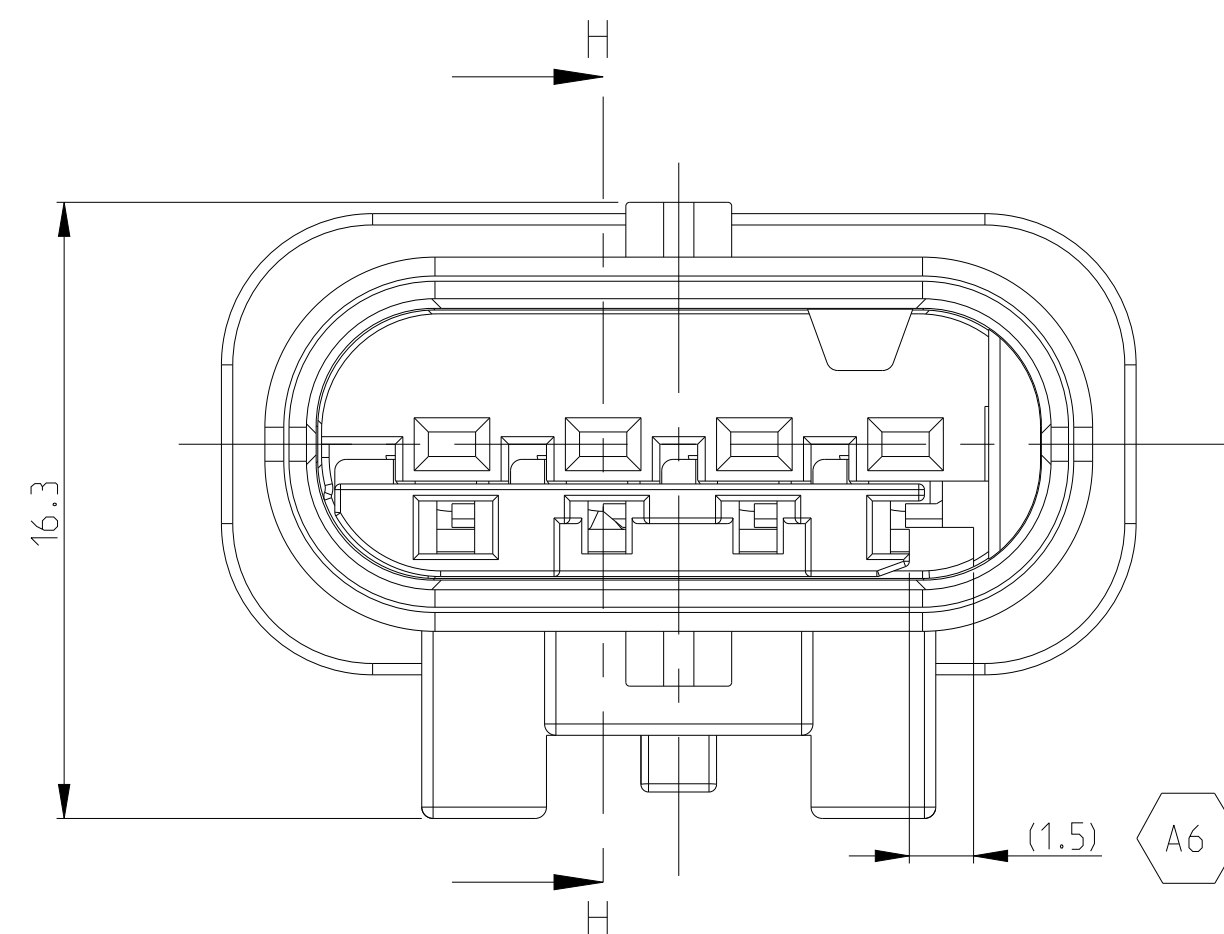


2.1

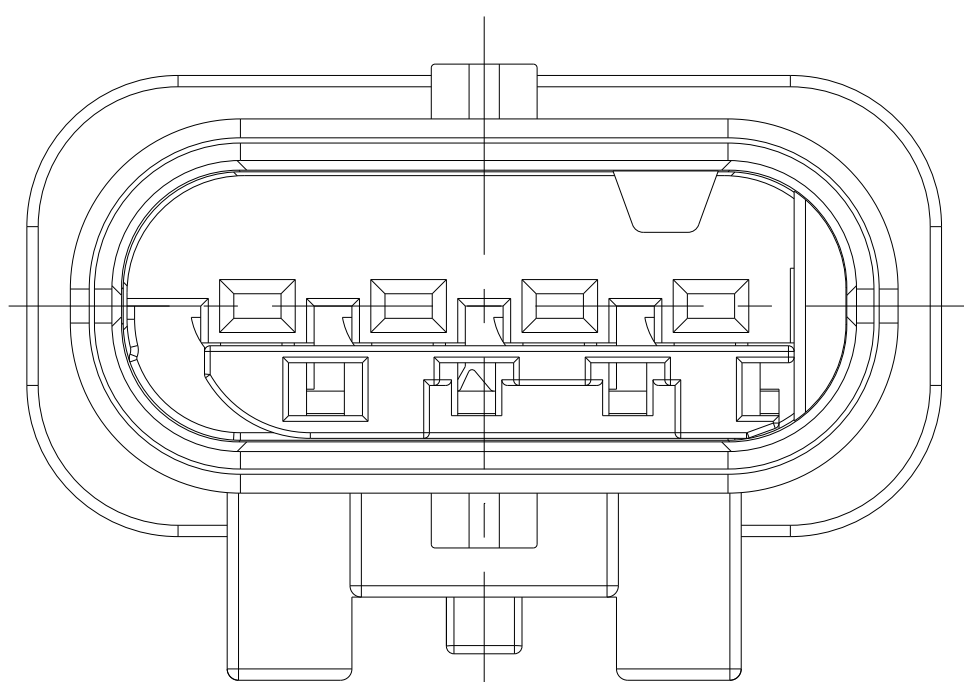


H-H

RETAINER IN PRE LOCKED POSITION
Kontaktsicherung in Vorraststellung

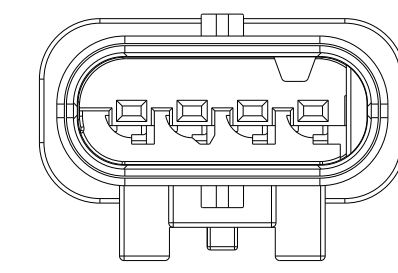


RETAINER IN FINAL LOCKED POSITION
2. Kontaktsicherung in Endraststellung

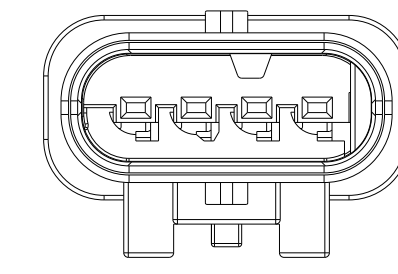


RETAINER MOVING DIRECTION
2. Kontaktsicherung Verschiebeweg

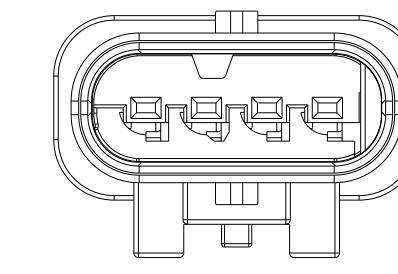
CODINGS 2:1



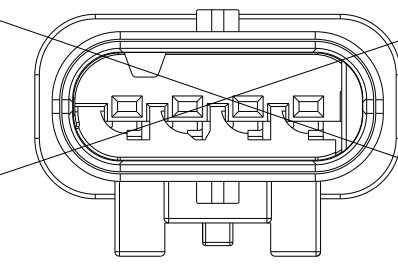
A 1-1564559-1
(BLACK)
1-1564559-4
(YELLOW FOR GM)



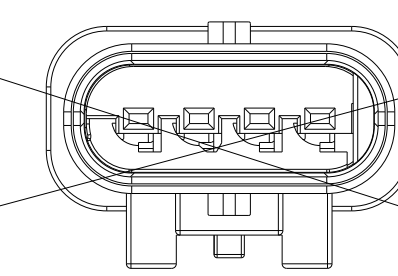
B 2-1564559-1
(GREY)
2-1564559-4
(YELLOW FOR GM)



C 3-1564559-1
3-1564559-4
(YELLOW FOR GM)

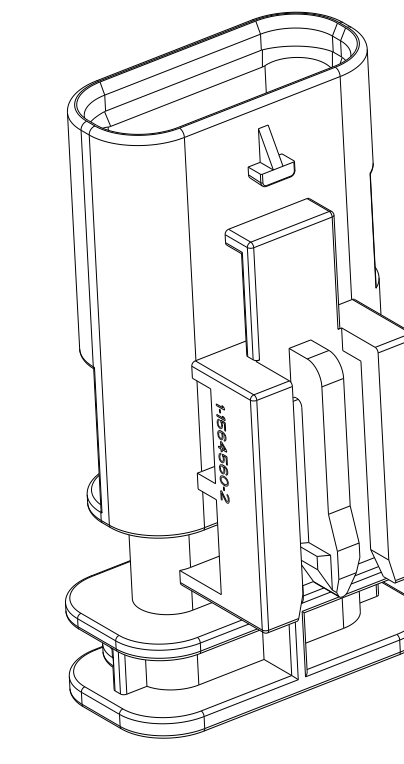


D 4-1564559-1

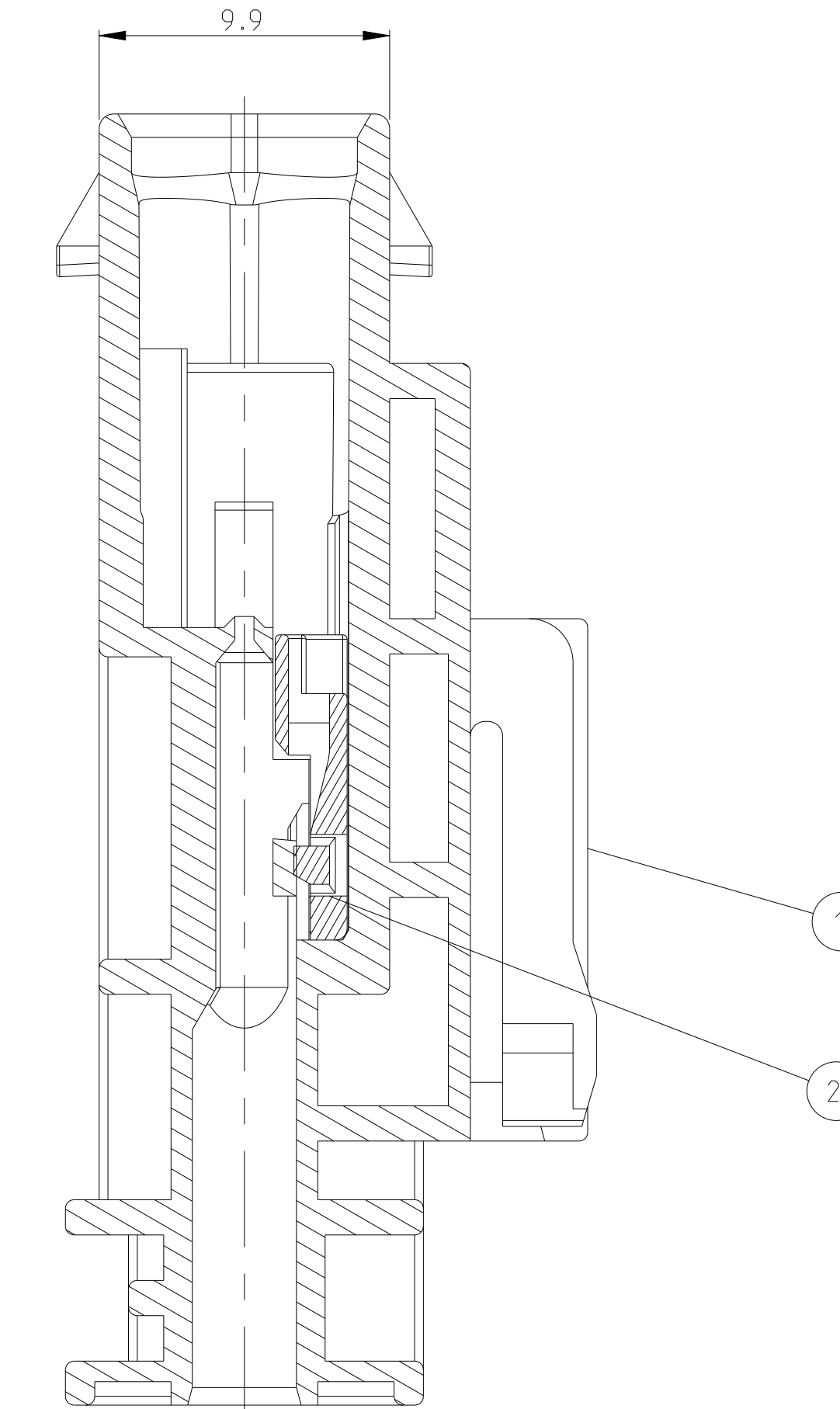
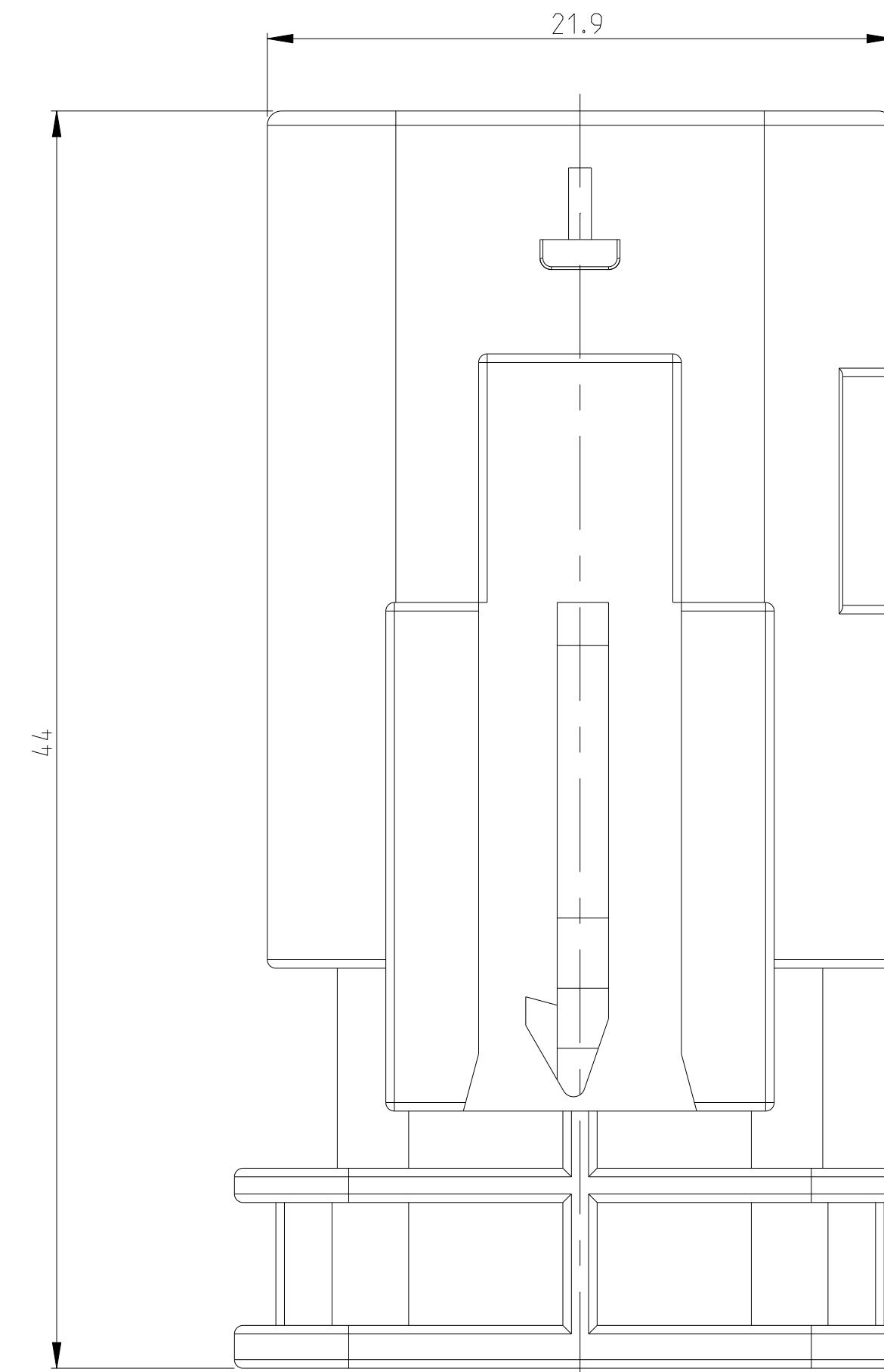
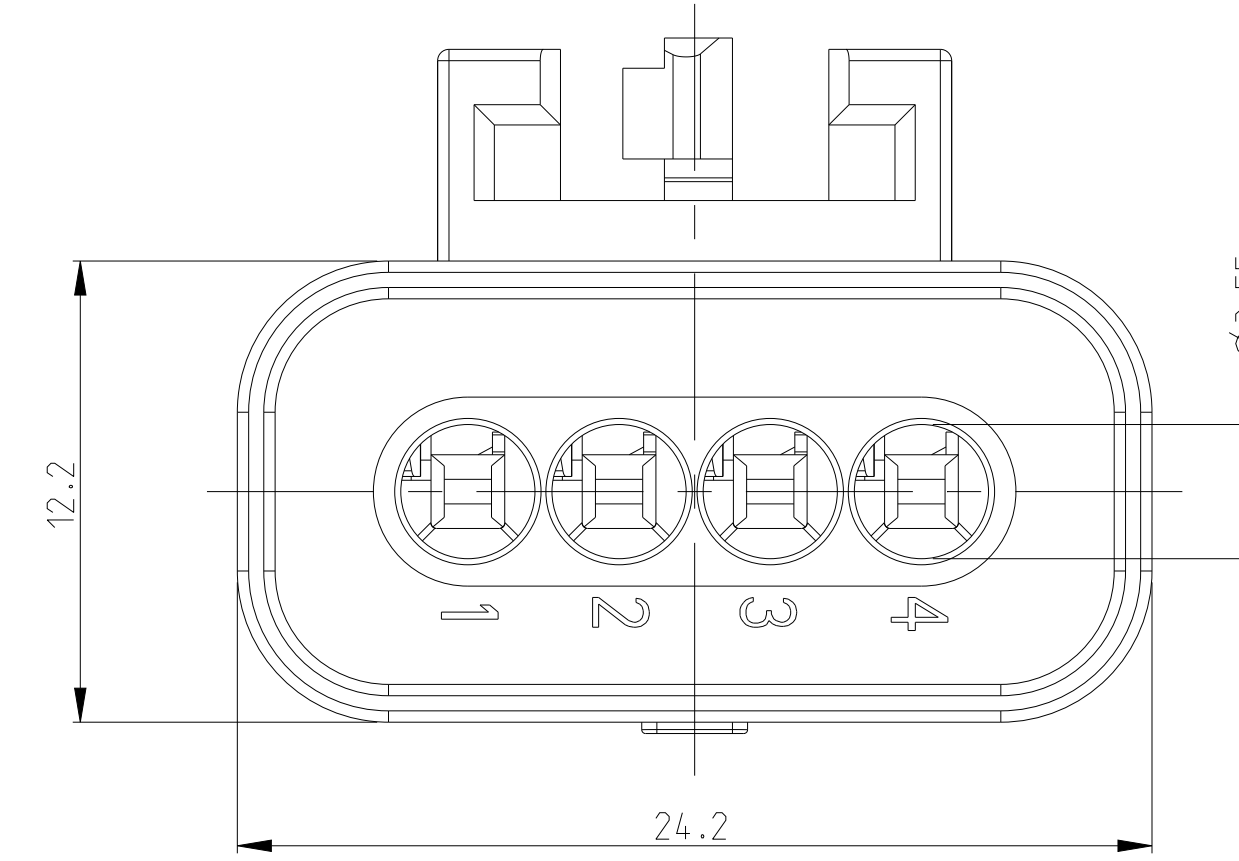


Z 5-1564559-1

SHOWN 1-1564559-2

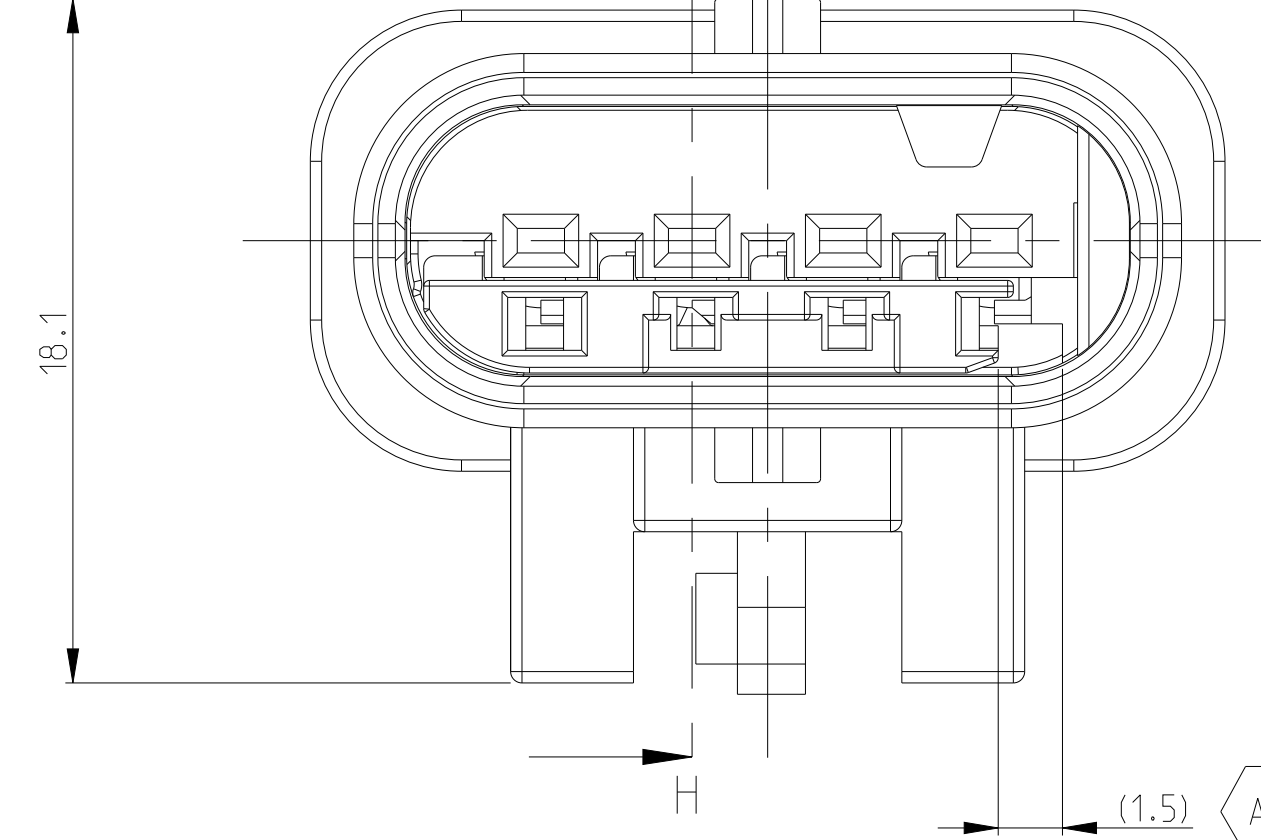


2.1

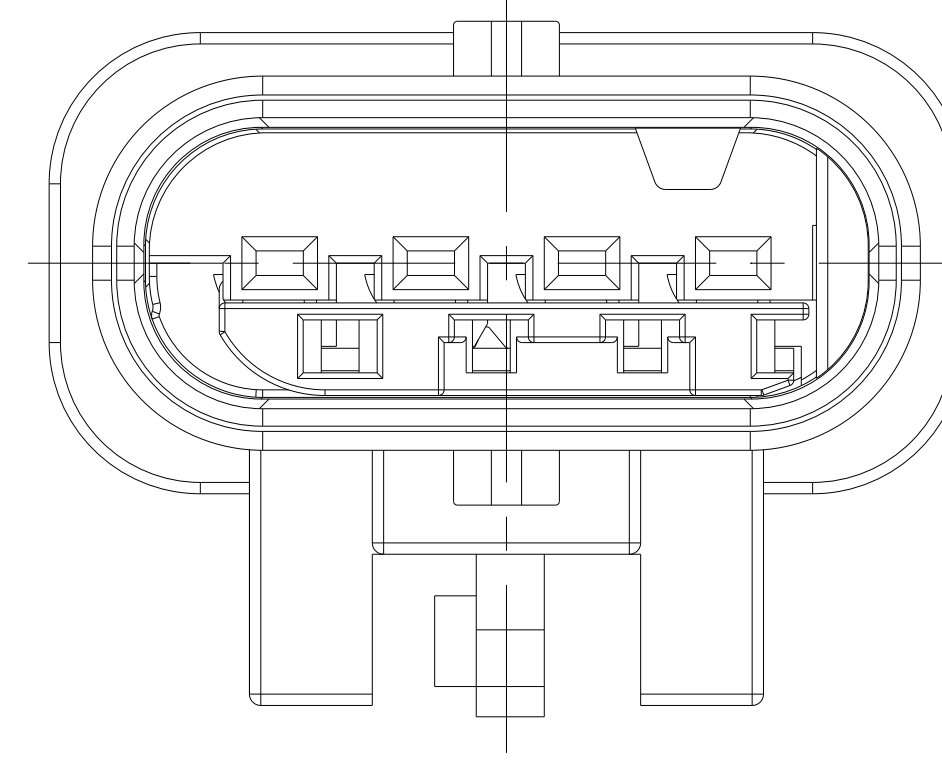


H-H

RETAINER IN PRE LOCKED POSITION
Kontaktsicherung in Vorraststellung



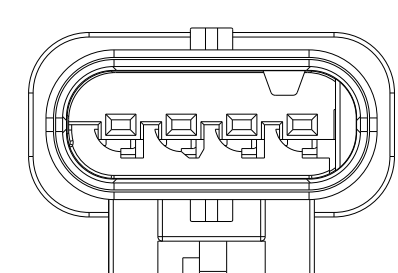
RETAINER IN FINAL LOCKED POSITION
2. Kontaktsicherung in Endraststellung



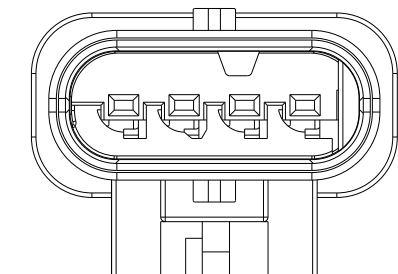
RETAINER MOVING DIRECTION
2. Kontaktsicherung Verschiebeweg

REV	DATE	DESCRIPTION	BY	CHK	APPD
A4	16APR2011	PCN-E-11-008327		MT	HR
A5	04OCT2014	PCN-E-14-014884		MT	HR
A6	20OCT2021	PCN-21-119051		BV	LSZ

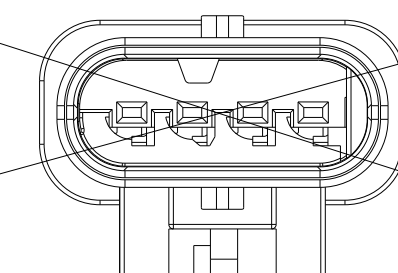
CODINGS 2:1



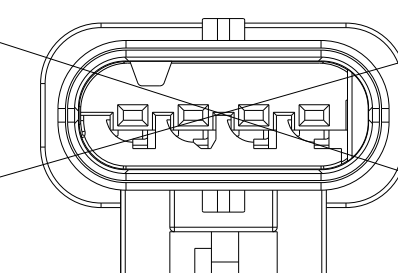
A 1-1564559-2
(BLACK)



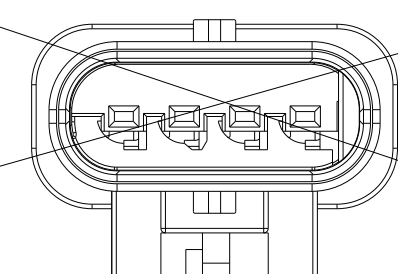
B 2-1564559-2
(GREY)



C 3-1564559-2



D 4-1564559-2



Z 5-1564559-2

USED MCON 1.2mm LL MALE TERMINALS AND SEALS				
TE-PN TERMINALS	WIRE RANGE	TE-PN SINGLE WIRE SEAL	TE-PN BLIND PLUG	
2141868	0.08 - 0.22mm ²	967067-2		
1718758	0.25 - 0.35mm ²	967067-2		
1718760	0.5 - 0.75mm ²	967067-1		967056-1
1718762	1mm ²	967067-1		

TERMINAL TE-APPLICATION SPEC.: 114-18464.

TE	SUITABLE FEMALE HSG. PASSENDE BUCHSENGH.	TE- Bestell-Nr. ORDER-NO.	ASSY REV. CODE	Benennung TITLE	QTY	Benennung Einzelteil TITLE	Werkstoff MATERIAL	Oberflaeche/Farbe SURFACE/COLOUR	Pos. ITEM
		5-1564559-2		A Z Stiffgehaeuse 4pol. MALE HOUSING 4POS.	1	Kontaktsicherung RETAINER	PA66-GF35	violett/VIOLET	2
		4-1564559-2		A D Stiffgehaeuse 4pol. MALE HOUSING 4POS.	1	Kontaktsicherung RETAINER	PA66-GF35	violett/VIOLET	2
		3-1564559-2		A C Stiffgehaeuse 4pol. MALE HOUSING 4POS.	1	Kontaktsicherung RETAINER	PA66-GF35	violett/VIOLET	2
		2-1670918-2		A B Stiffgehaeuse 4pol. MALE HOUSING 4POS.	1	Kontaktsicherung RETAINER	PA66-GF35	violett/VIOLET	2
		1-1670918-2		A A Stiffgehaeuse 4pol. MALE HOUSING 4POS.	1	Kontaktsicherung RETAINER	PA66-GF35	violett/VIOLET	2

3-1670918-1	3-1564559-4	A	C	Stiffgehaeuse 4pol. MALE HOUSING 4POS.	1	Kontaktsicherung RETAINER	PA66-GF35	violett/VIOLET	2
2-1670918-1	2-1564559-4	A	B	Stiffgehaeuse 4pol. MALE HOUSING 4POS.	1	Kontaktsicherung RETAINER	PA66-GF35	violett/VIOLET	2
1-1670918-1	1-1564559-4	A	A	Stiffgehaeuse 4pol. MALE HOUSING 4POS.	1	Kontaktsicherung RETAINER	PA66-GF35	gelb/YELLOW	1a
	5-1564559-1	A	Z	Stiffgehaeuse 4pol. MALE HOUSING 4POS.	1	Kontaktsicherung RETAINER	PBT-GF30	schwarz/BLACK	1z
	4-1564559-1	A	D	Stiffgehaeuse 4pol. MALE HOUSING 4POS.	1	Kontaktsicherung RETAINER	PA66-GF35	violett/VIOLET	2
	3-1564559-1	A	C	Stiffgehaeuse 4pol. MALE HOUSING 4POS.	1	Kontaktsicherung RETAINER	PA66-GF35	violett/VIOLET	2
2-1670918-1	2-1564559-1	A	B	Stiffgehaeuse 4pol. MALE HOUSING 4POS.	1	Kontaktsicherung RETAINER	PA66-GF35	violett/VIOLET	2
1-1670918-1	1-1564559-1	A	A	Stiffgehaeuse 4pol. MALE HOUSING 4POS.	1	Kontaktsicherung RETAINER	PBT-GF30	grau/GREY	1b

TE	SUITABLE FEMALE HSG. PASSENDE BUCHSENGH.	TE- Bestell-Nr. ORDER-NO.	ASSY REV. CODE	Benennung TITLE	QTY	Benennung Einzelteil TITLE	Werkstoff MATERIAL	Oberflaeche/Farbe SURFACE/COLOUR	Pos. ITEM
		5-1564559-1		A Z Stiffgehaeuse 4pol. MALE HOUSING 4POS.	1	Kontaktsicherung RETAINER	PA66-GF35	violett/VIOLET	2
		4-1564559-1		A D Stiffgehaeuse 4pol. MALE HOUSING 4POS.	1	Kontaktsicherung RETAINER	PA66-GF35	violett/VIOLET	2
		3-1564559-1		A C Stiffgehaeuse 4pol. MALE HOUSING 4POS.	1	Kontaktsicherung RETAINER	PA66-GF35	violett/VIOLET	2
		2-1670918-1		A B Stiffgehaeuse 4pol. MALE HOUSING 4POS.	1	Kontaktsicherung RETAINER	PA66-GF35	violett/VIOLET	2
		1-1670918-1		A A Stiffgehaeuse 4pol. MALE HOUSING 4POS.	1	Kontaktsicherung RETAINER	PA66-GF35	violett/VIOLET	2

THIS DRAWING IS A CONTROLLED DOCUMENT.

DATE: 07 JUL 2008
 CH. RIJBERG
 G. MUMMER
 PRODUCT SPEC: 114-18910-1
 APPLIC. SPEC: 114-18910-1
 WEIGHT: 6.76g

MALE HOUSING, 4Pos., MCON 1.2 SEALED
 TOP / SIDE LATCH
 Stiffgehaeuse, 4pol., MCON 1.2 gedichtet

SCALE: 5:1

REGRIND MAX. 25%