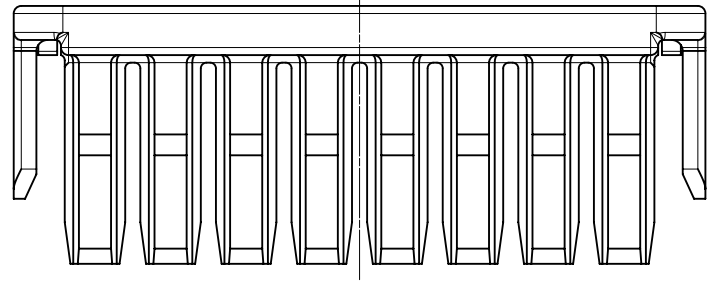
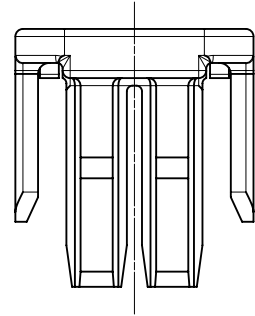
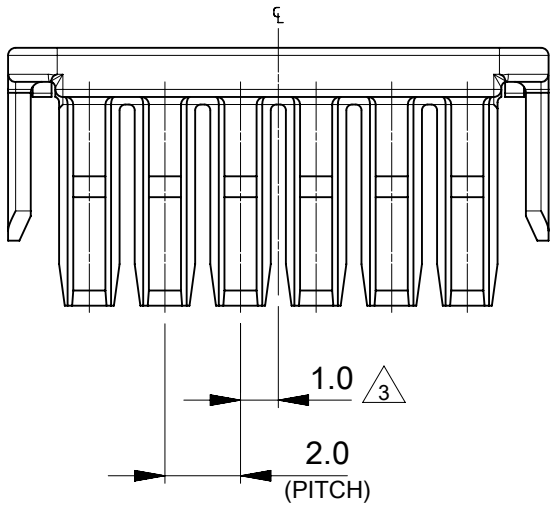
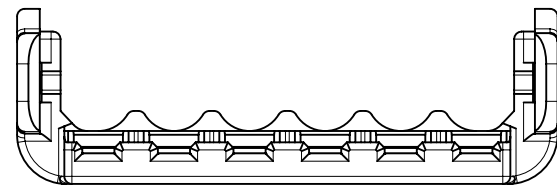
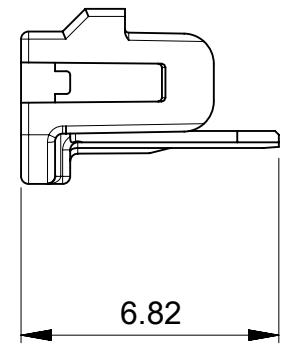
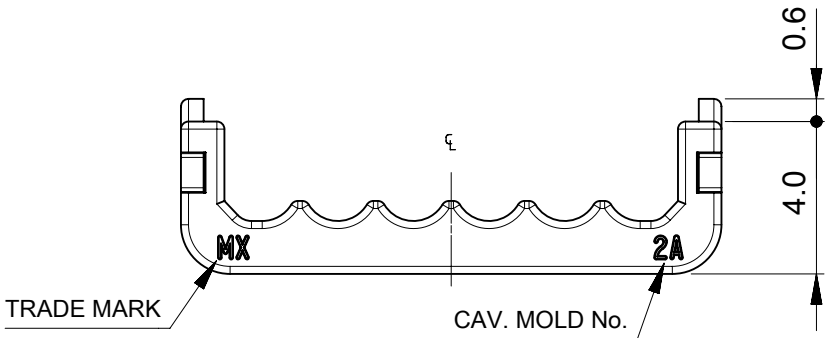
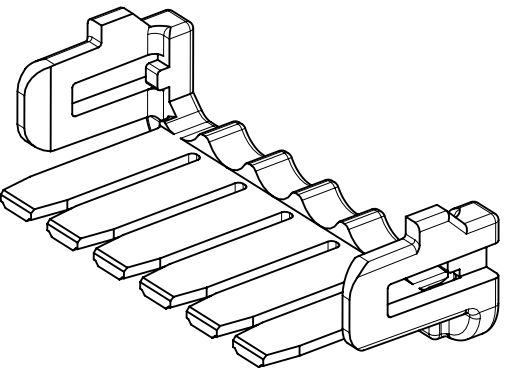
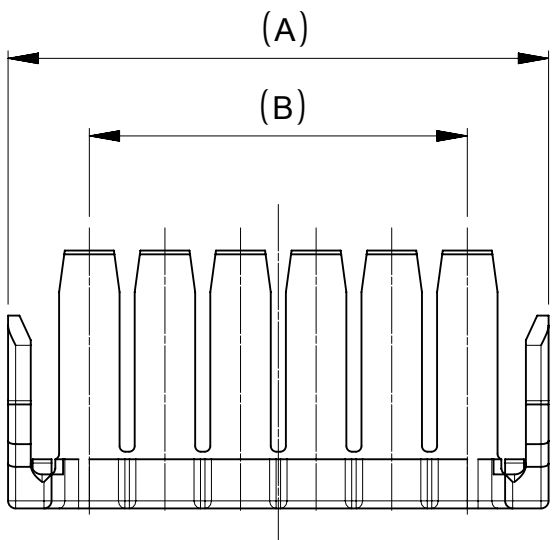


NOTES

- ① 材料：TABLE 1 参照
MATERIAL：SEE TABLE 1
- ② 製品仕様書、適合リセプタクルハウジングはSHEET 2を御参照下さい
PLEASE REFER TO SHEET 2 FOR PRODUCT SPECIFICATION, APPLICABLE REC HOUSING.
- ③ 極数/2 = 偶数に適応
APPLY FOR CIRCUIT SIZE / 2 =EVEN
- 4. 本製品のプラスチック部に黒点・白点等が確認される場合や色合いが異なる場合がありますが、製品性能に影響はありません。
THERE IS NO INFLUENCE IN THE PRODUCT PERFORMANCE THOUGH THE BLACK AND WHITE SPOT ETC. MIGHT BE CONFIRMED TO THE PLASTIC PART OF THIS PRODUCT AND THE SHADE MIGHT BE DIFFERENT.
- ⑤ 発注番号：SHEET 2 参照
ORDER No.：PLEASE REFER TO SHEET 2 FOR PRODUCT LIST.
- 6. 本製品はGlow Wire適合品です。
THIS PRODUCT IS A GLOW WIRE COMPLIANT.



| | | |
|----|------|--------------------|
| 14 | 18.3 | 8 |
| 12 | 16.3 | 7 |
| 10 | 14.3 | 6 |
| 8 | 12.3 | 5 |
| 6 | 10.3 | 4 |
| 4 | 8.3 | 3 |
| 2 | 6.3 | 2 |
| B | A | 極数 CIRCUIT SIZE |

① TABLE

| | |
|------------------|---|
| 部品 PART | 材質 MATERIAL |
| ハウジング HOUSING | ポリアミド(PA),UL94V-0,色：灰色 POLYAMIDE(PA),UL94V-0, COLOR：GRAY |
| DOCUMENT STATUS | P1 |
| RELEASE DATE | 2021/10/06 08:18:47 |

THIS DRAWING CONTAINS INFORMATION THAT IS PROPRIETARY TO MOLEX ELECTRONIC TECHNOLOGIES, LLC AND SHOULD NOT BE USED WITHOUT WRITTEN PERMISSION

| | | | | | | |
|--|------------------------|-------------------|------------|-----------------|------------|--------------------------|
| DIMENSION UNITS mm | SCALE NTS | CURRENT REV DESC: | | molex | | |
| GENERAL TOLERANCES (UNLESS SPECIFIED) | | EC NO: 680154 | | | | |
| ANGULAR TOL | ± 3.0° | 4 PLACES | ± 0.2 | DRWN: KYAMADA02 | 2021/10/05 | PRODUCT CUSTOMER DRAWING |
| 3 PLACES | ± 0.2 | CHK'D: AIDA | 2021/10/06 | APPR: SAKIYAMA | 2021/10/06 | |
| 2 PLACES | ± 0.2 | INITIAL REVISION: | | DOCUMENT NUMBER | | |
| 1 PLACE | ± 0.2 | DRWN: KYAMADA02 | 2020/06/04 | 2127250000-SD | | |
| 0 PLACES | ± 0.2 | APPR: SAKIYAMA | 2021/04/23 | PSD 000 B | | |
| DRAFT WHERE APPLICABLE MUST REMAIN WITHIN DIMENSIONS | THIRD ANGLE PROJECTION | DRAWING | SERIES | MATERIAL NUMBER | CUSTOMER | SHEET NUMBER |
| | | A3-SIZE | 212725 | SEE TABLE | GENERAL | 1 OF 2 |

△₂ 適応製品及び各種仕様書
 APPLICABLE PRODUCTS AND VARIOUS SPECIFICATIONS

| | | |
|--------------------------------|-------------|----------------------|
| 梱包仕様書 PACKING SPECIFICATION | PART NUMBER | SPECIFICATION NUMBER |
| | 2127252*** | 2127259200-SPK 000 |

| | |
|---|-------------------|
| 適合リセプタクルハウジング APPLICABLE RECEPTACLE HOUSING | 212724**** |
| 製品仕様書 PRODUCT SPECIFICATION | 2059790000-PS 000 |
| アプリケーション仕様書 APPLICATION SPECIFICATION | 2059790000-AS 000 |

リテーナー装着図は"リセプタクルハウジング図面 : 2127240000-SD 000" 参照のこと
 ASSEMBLY VIEW : REFER TO "APPLICABLE RECEPTACLE HOUSING : 2127240000-SD 000"
 PART DRAWING.

△₅ 製品一覧
 PRODUCTS LIST

| | |
|---------------------------------|--------------------|
| COLOR | |
| GRAY | |
| 2127252080 | 8 |
| ↑ 2070 | 7 |
| 2060 | 6 |
| 2050 | 5 |
| 2040 | 4 |
| ↓ 2030 | 3 |
| 2127252020 | 2 |
| 発注番号 : ORDER No. | 極数 CIRCUIT SIZE |
| 梱包形態 : ポリ袋 PACKAGE : POLYBAG | |

| | | | | | | | | | | |
|---|------------------------|----------------------------|--------|-----------------|-------------------------------|--|--------------|----------|----------|----------|
| THIS DRAWING CONTAINS INFORMATION THAT IS PROPRIETARY TO MOLEX ELECTRONIC TECHNOLOGIES, LLC AND SHOULD NOT BE USED WITHOUT WRITTEN PERMISSION | | | | | | | | | | |
| DIMENSION UNITS | SCALE | CURRENT REV DESC: | | | molex | | | | | |
| mm | NTS | | | | | | | | | |
| GENERAL TOLERANCES (UNLESS SPECIFIED) | | EC NO: 680154 | | | MICRO-ONE 2.0W/B TPA RETAINER | | | | | |
| ANGULAR TOL | ± 3.0 ° | DRWN: KYAMADA02 2021/10/05 | | | PRODUCT CUSTOMER DRAWING | | | | | |
| 4 PLACES | ± 0.2 | CHK'D: AIDA 2021/10/06 | | | DOCUMENT NUMBER | | | | | |
| 3 PLACES | ± 0.2 | APPR: SAKIYAMA 2021/10/06 | | | 2127250000-SD | | | DOC TYPE | DOC PART | REVISION |
| 2 PLACES | ± 0.2 | INITIAL REVISION: | | | 2020/06/04 | | | PSD | 000 | B |
| 1 PLACE | ± 0.2 | DRWN: KYAMADA02 | | | 2021/04/23 | | | | | |
| 0 PLACES | ± 0.2 | APPR: SAKIYAMA | | | | | | | | |
| DRAFT WHERE APPLICABLE MUST REMAIN WITHIN DIMENSIONS | THIRD ANGLE PROJECTION | DRAWING | SERIES | MATERIAL NUMBER | CUSTOMER | | SHEET NUMBER | | | |
| | | A3-SIZE | 212725 | SEE TABLE | GENERAL | | 2 OF 2 | | | |

| | | | | |
|-----------------|----|--------------|------------|----------|
| DOCUMENT STATUS | P1 | RELEASE DATE | 2021/10/06 | 08:18:47 |
|-----------------|----|--------------|------------|----------|