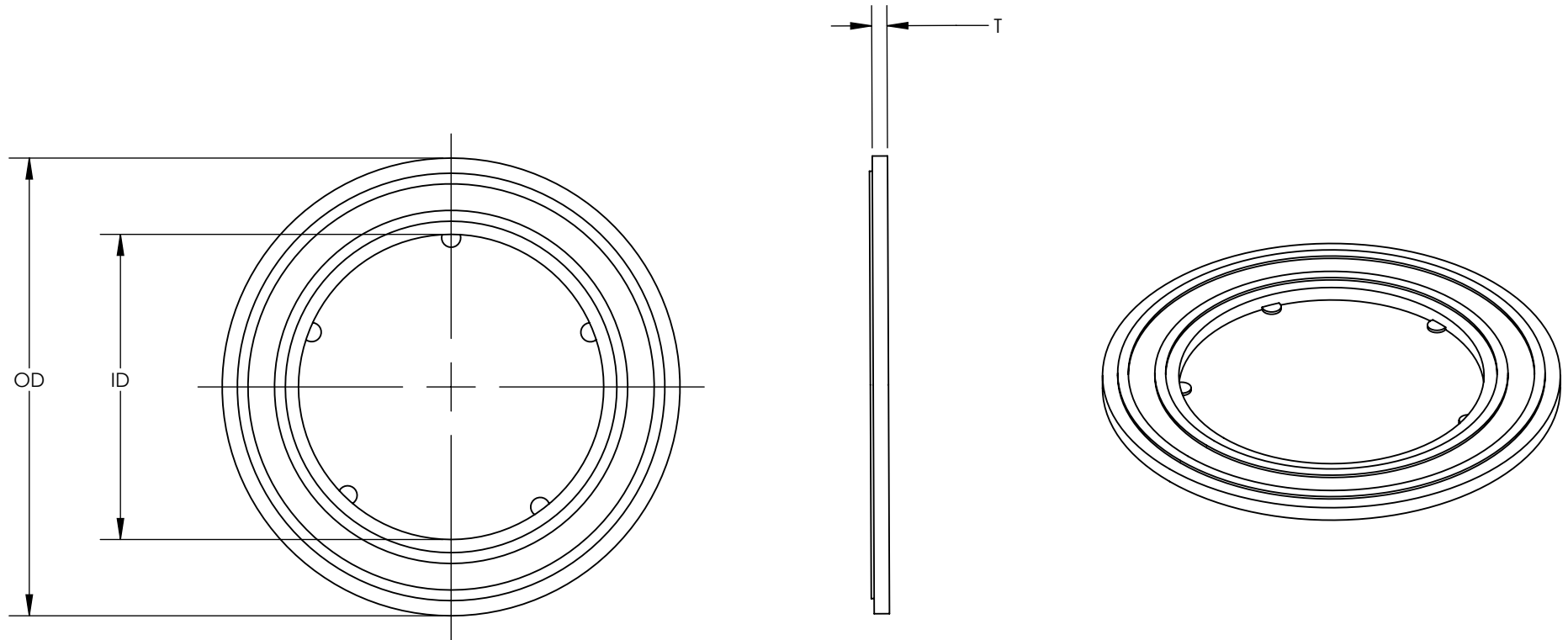


SW2014



Revision level			Revision Record	Changed	Date	Approved	Date
Drawing	State	Part					
00.0	Design Release		SEE ECN# 013585	GRW	10/13/2016	KAC	10/13/2016



To Fit Thread Size		HellermannTyton Part Number	Manufacturer Reference Number	Dimension					
in.	mm			Outside diameter		Inside Diameter		Thickness	
				in.	mm	in.	mm	in.	mm
3/8	16	RSW16-BU	RSW16-BU	0.94	24	0.63	16	0.06	1.6
1/2	20	RSW20-BU	RSW20-BU	1.06	27	0.79	20	0.06	1.6
3/4	25	RSW25-BU	RSW25-BU	1.34	34	0.98	25	0.06	1.6
1.00	32	RSW32-BU	RSW32-BU	1.65	42	1.26	32	0.07	1.8
1.25	40	RSW40-BU	RSW40-BU	1.97	50	1.57	40	0.07	1.8
1.50	50	RSW50-BU	RSW50-BU	2.44	62	1.97	50	0.07	1.8

Material
TPE

Units: inches
Dimension without tolerances details to:
.xxxx = ±.0005
.xxx = ±.005
.xx = ±.01
.x = ±.03
None = ±.06
∠ = ±0.5°
Dimension Formatted in [mm]

The copyright of this drawing is reserved by HellermannTyton. It is issued on condition that it is not reproduced, copied, or disclosed to a third party, either wholly or in part, without the consent of HellermannTyton.

Drawn GRW 10/13/2016
Approved KAC 10/13/2016
HellermannTyton
North America
Email: corp@htamericas.com
Web: www.hellermann.tyton.com

Article/Type-No RSW SERIES
Title **HELAGUARD RSW SEALING WASHER**
Drawing-No PRODUCTION : Phase
16-1621-001-CSU

Scale 1:1
Project Number PRP 16-1621
Format AH
Sheet 1/1